

勝特力材料 886-3-5753170
 勝特力电子(上海) 86-21-54151736
 勝特力电子(深圳) 86-755-83298787
 Http://www.100y.com.tw



HC-49SMD
SMD CRYSTAL UNITS

Features : Small size , Light weight

High dependability by means of resistance weld hermetic seal.

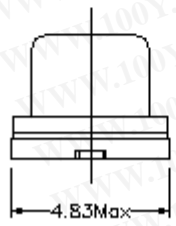
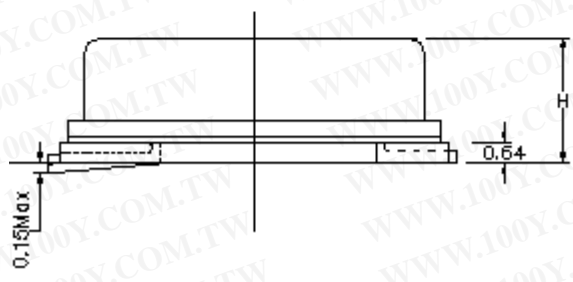
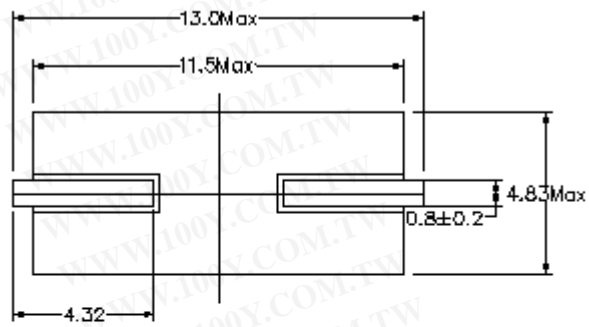
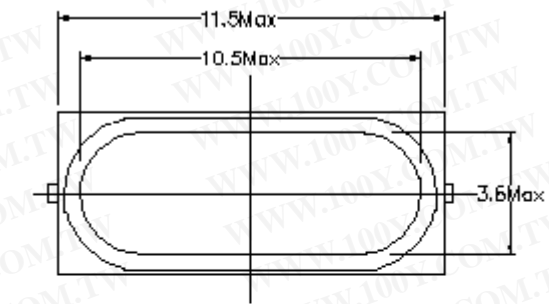
Tape and reel available

Height 2.5mm available

Type	HC-49SMD
Frequency range	3.0~90.0MHz
Vibration mode	AT cut,Fundamental,3rd
Frequency tolerance (at 25°C)	-/+10ppm, -/+30ppm, or specify
Equivalent series resistance	See table No.1
Frequency stability over operating temperature range	-/+10ppm, -/+30ppm, or specify
Operating temperature range	-10 ~ +60°C , or specify
Shunt capacitance	5.0pF max.
Load capacitance	16pF, 18pF, 20pF, or specify
Aging	-/+2ppm / year , -/+5ppm / year

Equivalent series resistance(ESR) Table No. 1

Frequency	Mode	ESR
3.0~3.9MHz	Fundamental	150 ohms max.
4.0~4.9 MHz	Fundamental	130 ohms max.
5.0~5.9 MHz	Fundamental	120 ohms max.
6.0~7.9 MHz	Fundamental	100 ohms max.
8.0~8.9 MHz	Fundamental	80 ohms max.
10.0~14.9 MHz	Fundamental	60 ohms max.
15.0~48.0 MHz	Fundamental	40 ohms max.
36.0~90.0 MHz	3rd	70 ohms max.



Unit : mm

MODEL	H
HC-49SMD-4.5	4.5
HC-49SMD-3.0	3.0
HC-49SMD-2.5	2.5

勝特力材料 886-3-5753170
 勝特力电子(上海) 86-21-54151736
 勝特力电子(深圳) 86-755-83298787
[Http://www.100y.com.tw](http://www.100y.com.tw)