



**Specifications:**

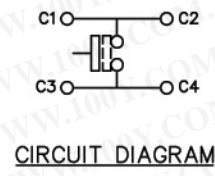
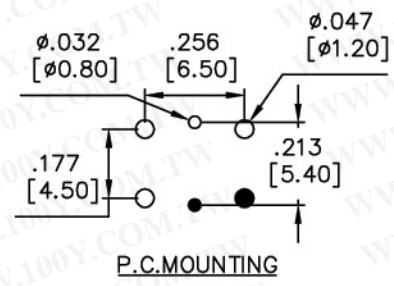
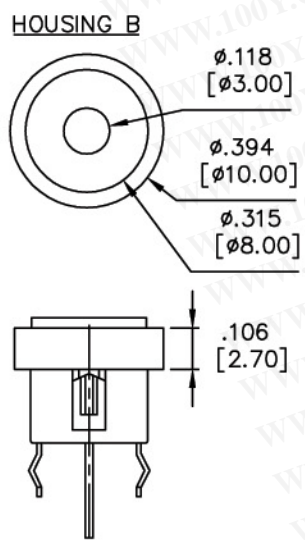
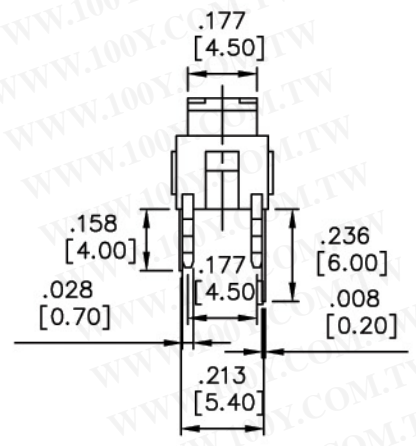
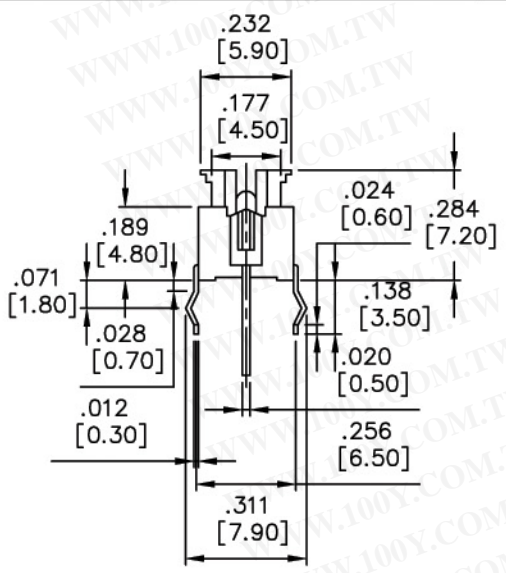
[Contact Arrangement]:	S.P.S.T
[Ambient Humidity]:	85%RH max.
[Contact Resistance]:	100mΩ max. initial
[Insulation Resistance]:	100MΩ max.
[Dielectric Withstanding Voltage]:	250VAC, 1 min.
[Operating Temperature]:	10° C to 60° C
[Operating Force]:	250gf max.
[Operating Life]:	300,000 cycles min.
[Malfunction Durability]:	10 to 55 Hz 0.75mm double amplitude during 2 hrs
[Total Travel]:	0.3mm ± 0.1mm
[LED Rating]:	50mA / 12VDC Voltage 6V max. current 20mA max.

**Materials:**

[Housing]:	Nylon 6/6 + 15%gf
[Cover]:	PC
[Movable Blade]:	PBS + AG
[LED Stem]:	PBS + PC + LED
[Terminals]:	Brass copper
[Upper Base]:	PC

勝特力材料 886-3-5753170  
勝特力电子(上海) 86-21-54151736  
勝特力电子(深圳) 86-755-83298787  
[Http://www.100y.com.tw](http://www.100y.com.tw)

REV. 更改	DESCRIPTION 說明	ENG. 修改人	APPROVE 審核
------------	-------------------	-------------	---------------



### HOUSING & COLOR

Code	Housing Model
A	
B	
E	Without Housing

Code	Color
5	Gray
6	Black
0	Without Housing

### CAP & COLOR

Code	CAP Model
A	Without LED
B	With LED
C	Without LED
D	With LED
E	Without LED

Code	Color
1	Red
2	Green
3	Orange
4	Ivory
5	Gray
6	Black
0	Without CAP

### LED COLOR OPTIONS

Code	LED Color
1	Red
2	Green
3	Orange
0	Without LED

### SPECIFICATIONS

- 1.RATING: 24VDC 50mA
- 2.OPERATING FORCE :160+(-)30GF
- 3.LIFE:100,000 CYCLES MIN
- 4.TRAVEL: 0.25mm+0.3(-0.1)mm
- 5.CONTACT RESISTANCE:100mΩ Max(INITIAL)
- 6.INSULATION RESISTANCE:100MΩ Min(AT 250VDC)
- 7.DIELECTRIC WITHSTANDING VOLTAGE: 250VrmsFOR ONE MINUTE
- 8.SOLDER ABILITY: SOLDER BATH: 280°C Max 3SECONDS  
HAND SOLDERING: 280°C Max 3SECONDS
- 9.OPERATING TEMPERATURE RANGE: -25 C -70 C
- 10.HUMIDITY: 75%RH Max

**勝特力材料 886-3-5753170**  
**勝特力电子(上海) 86-21-54151736**  
**勝特力电子(深圳) 86-755-83298787**  
[Http://www.100y.com.tw](http://www.100y.com.tw)

ITEM NO. 料號	YLP13-B-5-C5
----------------	--------------

THESE DRAWINGS AND SPECIFICATIONS ARE THE PROPERTY OF TAIWAY ELECTRONICS LTD. AND SHALL NOT BE REPRODUCED COPIED OR USED IN ANY MANNER WITHOUT THE PRIOR WRITTEN CONSENT OF TAIWAY ELECTRONICS LTD.

UNLESS OTHERWISE SPECIFIED DIMENSIONS ARE IN MILLIMETERS ANGULAR TOLERANCE: ±1.0°

DIMENSIONS	TOLERANCE
0.00 TO 30.00mm	±0.20mm
30.01 TO 80.00mm	±0.25mm
80.01 TO 150.00mm	±0.30mm
150.01 +	±0.40mm

## 勝特力材料有限公司

USED 用途	LP	APPD. 審核	Amy 2002/08/27
FINISH 處理		CHKD. 校對	Amy 2002/08/27
SCALE 比例	2 / 1	DR. 製圖	Amy 2002/08/27
TITLE 名稱	Illuminated Tact Switch		
DWG NO. 圖號	LP-13-x-x	SIZE 圖紙	A4
FILE NAME 檔案名稱	LP13BD.dwg	SHEET 張	1 / 1
		REV. 更改	1