

128K

X25128

16K x 8 Bit

SPI Serial E²PROM with Block Lock™ Protection

FEATURES

- **2MHz Clock Rate**
- **SPI Modes (0,0 & 1,1)**
- **16K X 8 Bits**
—32 Byte Page Mode
- **Low Power CMOS**
—<1μA Standby Current
—<5mA Active Current
- **2.7V To 5.5V Power Supply**
- **Block Lock Protection**
—Protect 1/4, 1/2 or all of E²PROM Array
- **Built-in Inadvertent Write Protection**
—Power-Up/Power-Down protection circuitry
—Write Enable Latch
—Write Protect Pin
- **Self-Timed Write Cycle**
—5ms Write Cycle Time (Typical)
- **High Reliability**
—Endurance: 100,000 cycles
—Data Retention: 100 Years
—ESD protection: 2000V on all pins
- **14-Lead SOIC Package**
- **16-Lead SOIC Package**
- **8-Lead PDIP Package**

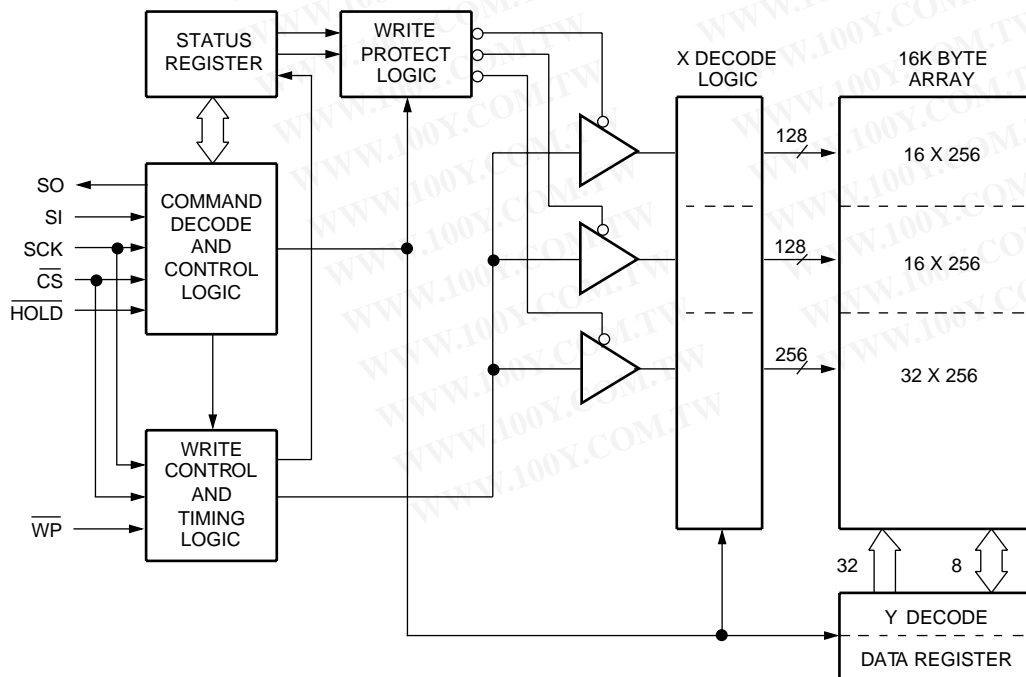
DESCRIPTION

The X25128 is a CMOS 131,072-bit serial E²PROM, internally organized as 16K x 8. The X25128 features a Serial Peripheral Interface (SPI) and software protocol allowing operation on a simple three-wire bus. The bus signals are a clock input (SCK) plus separate data in (SI) and data out (SO) lines. Access to the device is controlled through a chip select (\overline{CS}) input, allowing any number of devices to share the same bus.

The X25128 also features two additional inputs that provide the end user with added flexibility. By asserting the HOLD input, the X25128 will ignore transitions on its inputs, thus allowing the host to service higher priority interrupts. The \overline{WP} input can be used as a hardwire input to the X25128 disabling all write attempts to the status register, thus providing a mechanism for limiting end user capability of altering 0, 1/4, 1/2 or all of the memory.

The X25128 utilizes Xicor's proprietary Direct Write™ cell, providing a minimum endurance of 100,000 cycles and a minimum data retention of 100 years.

FUNCTIONAL DIAGRAM



3091 FM F01

X25128

PIN DESCRIPTIONS

Serial Output (SO)

SO is a push/pull serial data output pin. During a read cycle, data is shifted out on this pin. Data is clocked out by the falling edge of the serial clock.

Serial Input (SI)

SI is the serial data input pin. All opcodes, byte addresses, and data to be written to the memory are input on this pin. Data is latched by the rising edge of the serial clock.

Serial Clock (SCK)

The Serial Clock controls the serial bus timing for data input and output. Opcodes, addresses, or data present on the SI pin are latched on the rising edge of the clock input, while data on the SO pin change after the falling edge of the clock input.

Chip Select (\overline{CS})

When \overline{CS} is high, the X25128 is deselected and the SO output pin is at high impedance and unless an internal write operation is underway, the X25128 will be in the standby power mode. \overline{CS} low enables the X25128, placing it in the active power mode. It should be noted that after power-up, a high to low transition on \overline{CS} is required prior to the start of any operation.

Write Protect (\overline{WP})

When \overline{WP} is low and the nonvolatile bit WPEN is "1", nonvolatile writes to the X25128 status register are disabled, but the part otherwise functions normally. When \overline{WP} is held high, all functions, including nonvolatile writes operate normally. \overline{WP} going low while \overline{CS} is still low will interrupt a write to the X25128 status register. If the internal write cycle has already been initiated, \overline{WP} going low will have no effect on a write.

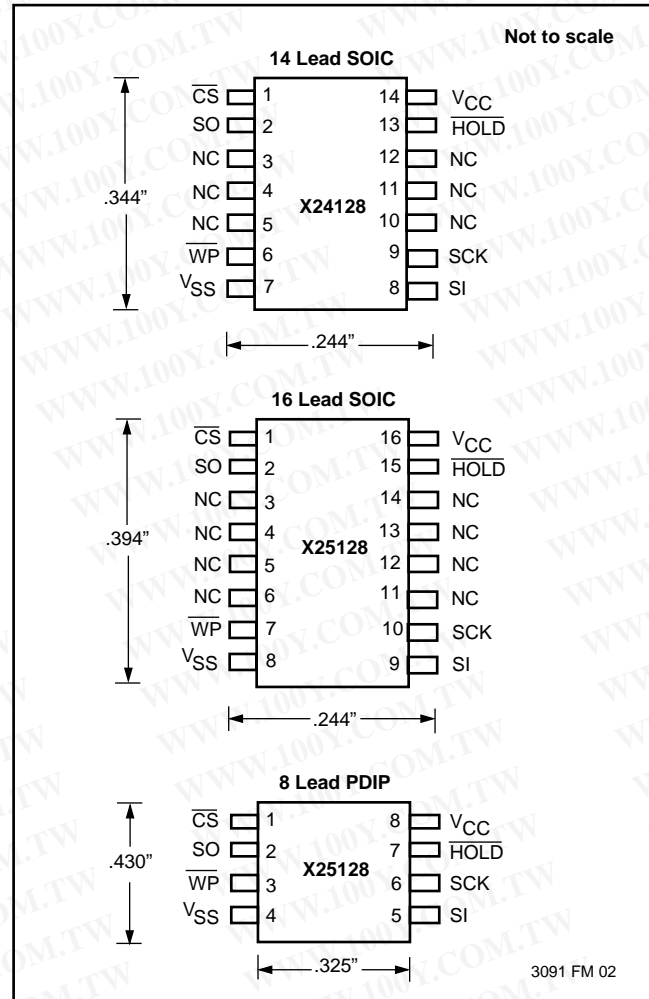
The \overline{WP} pin function is blocked when the WPEN bit in the status register is "0". This allows the user to install the X25128 in a system with \overline{WP} pin grounded and still be able to write to the status register. The \overline{WP} pin functions will be enabled when the WPEN bit is set "0".

Hold (HOLD)

HOLD is used in conjunction with the \overline{CS} pin to select the device. Once the part is selected and a serial sequence is underway, HOLD may be used to pause the serial communication with the controller without resetting the serial sequence. To pause, HOLD must be brought low while SCK is Low. To resume communication, HOLD is brought high, again while SCK is

low. If the pause feature is not used, HOLD should be held high at all times.

PIN CONFIGURATION



PIN NAMES

Symbol	Description
\overline{CS}	Chip Select Input
SO	Serial Output
SI	Serial Input
SCK	Serial Clock Input
\overline{WP}	Write Protect Input
V _{SS}	Ground
V _{CC}	Supply Voltage
HOLD	Hold Input
NC	No Connect

X25128

PRINCIPLES OF OPERATION

The X25128 is a 8K x 8 E²PROM designed to interface directly with the synchronous serial peripheral interface (SPI) of many popular microcontroller families.

The X25128 contains an 8-bit instruction register. It is accessed via the **SI** input, with data being clocked in on the rising **SCK**. **CS** must be low and the **HOLD** and **WP** inputs must be high during the entire operation. The **WP** input is “Don’t Care” if **WPEN** is set “0”.

Table 1 contains a list of the instructions and their opcodes. All instructions, addresses and data are transferred MSB first.

Data input is sampled on the first rising edge of **SCK** after **CS** goes low. **SCK** is static, allowing the user to stop the clock and then resume operations. If the clock line is shared with other peripheral devices on the SPI bus, the user can assert the **HOLD** input to place the X25128 into a “PAUSE” condition. After releasing **HOLD**, the X25128 will resume operation from the point when **HOLD** was first asserted.

Write Enable Latch

The X25128 contains a “write enable” latch. This latch must be SET before a write operation will be completed internally. The **WREN** instruction will set the latch and the **WRDI** instruction will reset the latch. This latch is automatically reset upon a power-on condition and after the completion of a byte, page, or status register write cycle.

Status Register

The **RDSR** instruction provides access to the status register. The status register may be read at any time, even during a write cycle. The status register is formatted as follows:

7	6	5	4	3	2	1	0
WPEN	X	X	X	BP1	BP0	WEL	WIP

3091 FM T02

WPEN, **BP0** and **BP1** are set by the **WRSR** instruction. **WEL** and **WIP** are read-only and automatically set by other operations.

The Write-In-Process (**WIP**) bit indicates whether the X25128 is busy with a write operation. When set to a “1”, a write is in progress, when set to a “0”, no write is in progress. During a write, all other bits are set to “1”.

The Write Enable Latch (**WEL**) bit indicates the status of the “write enable” latch. When set to a “1”, the latch is set, when set to a “0”, the latch is reset.

The Block Protect (**BP0** and **BP1**) bits are nonvolatile and allows the user to select one of four levels of protection. The X25128 is divided into four 32,768-bit segments. One, two, or all four of the segments may be protected. That is, the user may read the segments but will be unable to alter (write) data within the selected segments. The partitioning is controlled as illustrated below.

Status Register Bits		Array Addresses Protected
BP1	BP0	
0	0	None
0	1	\$3000–\$3FFF
1	0	\$2000–\$3FFF
1	1	\$0000–\$3FFF

3091 PGM T03

Table 1. Instruction Set

Instruction Name	Instruction Format*	Operation
WREN	0000 0110	Set the Write Enable Latch (Enable Write Operations)
WRDI	0000 0100	Reset the Write Enable Latch (Disable Write Operations)
RDSR	0000 0101	Read Status Register
WRSR	0000 0001	Write Status Register
READ	0000 0011	Read Data from Memory Array beginning at selected address
WRITE	0000 0010	Write Data to Memory Array beginning at Selected Address (1 to 32 Bytes)

3091 PGM T04

*Instructions are shown MSB in leftmost position. Instructions are transferred MSB first.

X25128

Write-Protect Enable

The Write-Protect-Enable (WPEN) is available for the X25128 as a nonvolatile enable bit for the \overline{WP} pin.

WPEN	\overline{WP}	WEL	Protected Blocks	Unprotected Blocks	Status Register
0	X	0	Protected	Protected	Protected
0	X	1	Protected	Writable	Writable
1	Low	0	Protected	Protected	Protected
1	Low	1	Protected	Writable	Protected
X	High	0	Protected	Protected	Protected
X	High	1	Protected	Writable	Writable

3091 PGM T05.1

The Write Protect (\overline{WP}) pin and the nonvolatile Write Protect Enable (WPEN) bit in the Status Register control the programmable hardware write protect feature. Hardware write protection is enabled when \overline{WP} pin is low, and the WPEN bit is “1”. Hardware write protection is disabled when either the \overline{WP} pin is high or the WPEN bit is “0”. When the chip is hardware write protected, nonvolatile writes are disabled to the Status Register, including the Block Protect bits and the WPEN bit itself, as well as the block-protected sections in the memory array. Only the sections of the memory array that are not block-protected can be written.

Note: Since the WPEN bit is write protected, it cannot be changed back to a “0”, as long as the \overline{WP} pin is held low.

Clock and Data Timing

Data input on the SI line is latched on the rising edge of SCK. Data is output on the SO line by the falling edge of SCK.

Read Sequence

When reading from the E²PROM array, \overline{CS} is first pulled low to select the device. The 8-bit read instruction is transmitted to the X25128, followed by the 16-bit address of which the last 14 are used. After the read opcode and address are sent, the data stored in the memory at the selected address is shifted out on the SO line. The data stored in memory at the next address can be read sequentially by continuing to provide clock pulses. The address is automatically incremented to the next higher address after each byte of data is shifted out. When the highest address is reached (\$3FFF) the address counter rolls over to address \$0000 allowing the read cycle to be continued

indefinitely. The read operation is terminated by taking \overline{CS} high. Refer to the read E²PROM array operation sequence illustrated in Figure 1.

To read the status register the \overline{CS} line is first pulled low to select the device followed by the 8-bit instruction. After the RDSR opcode is sent, the contents of the status register are shifted out on the SO line. The read status register sequence is illustrated in Figure 2.

Write Sequence

Prior to any attempt to write data into the X25128, the “write enable” latch must first be set by issuing the WREN instruction (See Figure 3). \overline{CS} is first taken low, then the WREN instruction is clocked into the X25128. After all eight bits of the instruction are transmitted, \overline{CS} must then be taken high. If the user continues the write operation without taking \overline{CS} high after issuing the WREN instruction, the write operation will be ignored.

To write data to the E²PROM memory array, the user issues the write instruction, followed by the address and then the data to be written. This is minimally a thirty-two clock operation. \overline{CS} must go low and remain low for the duration of the operation. The host may continue to write up to 32 bytes of data to the X25128. The only restriction is the 32 bytes must reside on the same page. If the address counter reaches the end of the page and the clock continues, the counter will “roll over” to the first address of the page and overwrite any data that may have been written.

For the write operation (byte or page write) to be completed, \overline{CS} can only be brought high after bit 0 of data byte N is clocked in. If it is brought high at any other time the write operation will not be completed. Refer to Figures 4 and 5 below for a detailed illustration of the write sequences and time frames in which \overline{CS} going high are valid.

To write to the status register, the WRSR instruction is followed by the data to be written. Data bits 0, 1, 4, 5 and 6 must be “0”. This sequence is shown in Figure 6.

While the write is in progress, following a status register or E²PROM write sequence, the status register may be read to check the WIP bit. During this time the WIP bit will be high.

Hold Operation

The \overline{HOLD} input should be high (at V_{IH}) under normal operation. If a data transfer is to be interrupted \overline{HOLD} can be pulled low to suspend the transfer until it can be resumed. The only restriction is the SCK input must

X25128

be low when $\overline{\text{HOLD}}$ is first pulled low and SCK must also be low when $\overline{\text{HOLD}}$ is released.

The $\overline{\text{HOLD}}$ input may be tied high either directly to V_{CC} or tied to V_{CC} through a resistor.

Operational Notes

The X25128 powers-up in the following state:

- The device is in the low power standby state.
- A high to low transition on $\overline{\text{CS}}$ is required to enter an active state and receive an instruction.
- SO pin is high impedance.
- The “write enable” latch is reset.

Data Protection

The following circuitry has been included to prevent inadvertent writes:

- The “write enable” latch is reset upon power-up.
- A WREN instruction must be issued to set the “write enable” latch.
- $\overline{\text{CS}}$ must come high at the proper clock count in order to start a write cycle.

Figure 1. Read E²PROM Array Operation Sequence

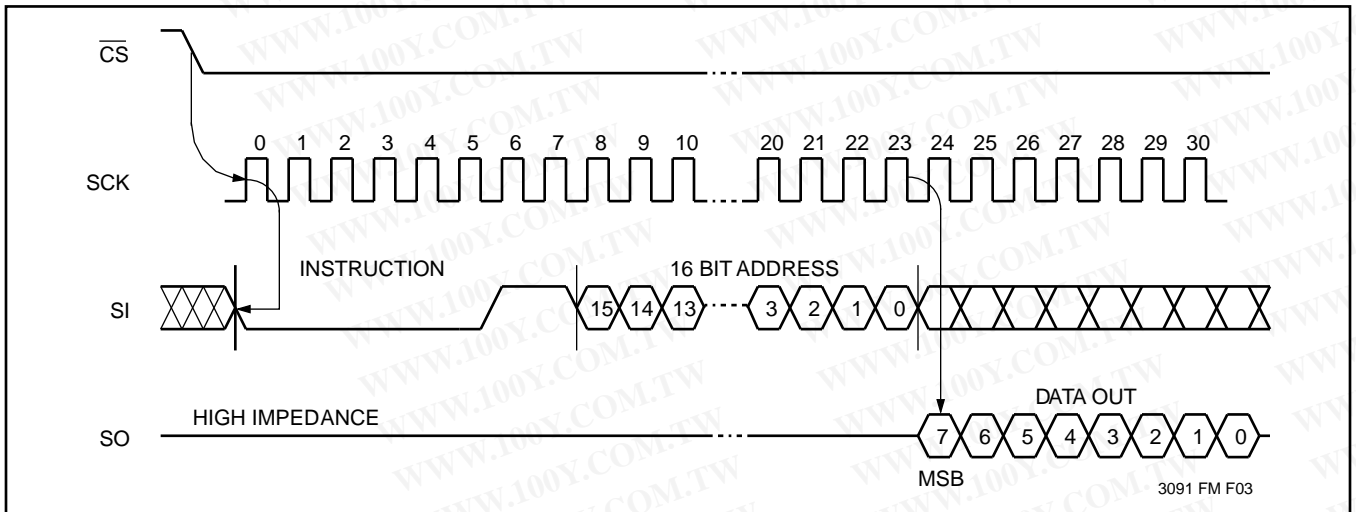
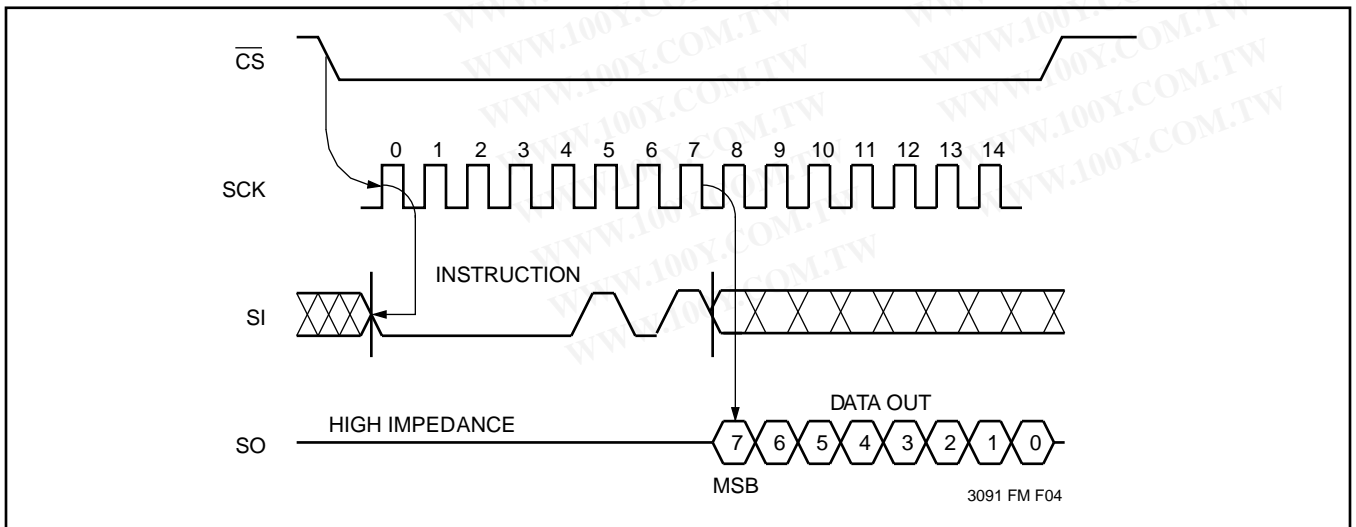


Figure 2. Read Status Register Operation Sequence



X25128

Figure 3. Write Enable Latch Sequence

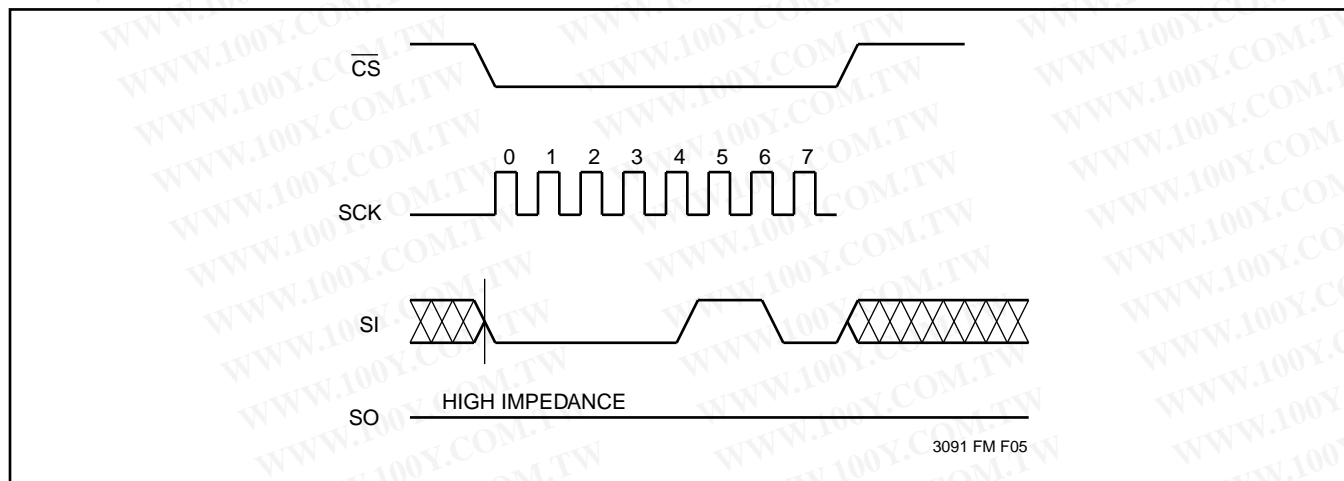
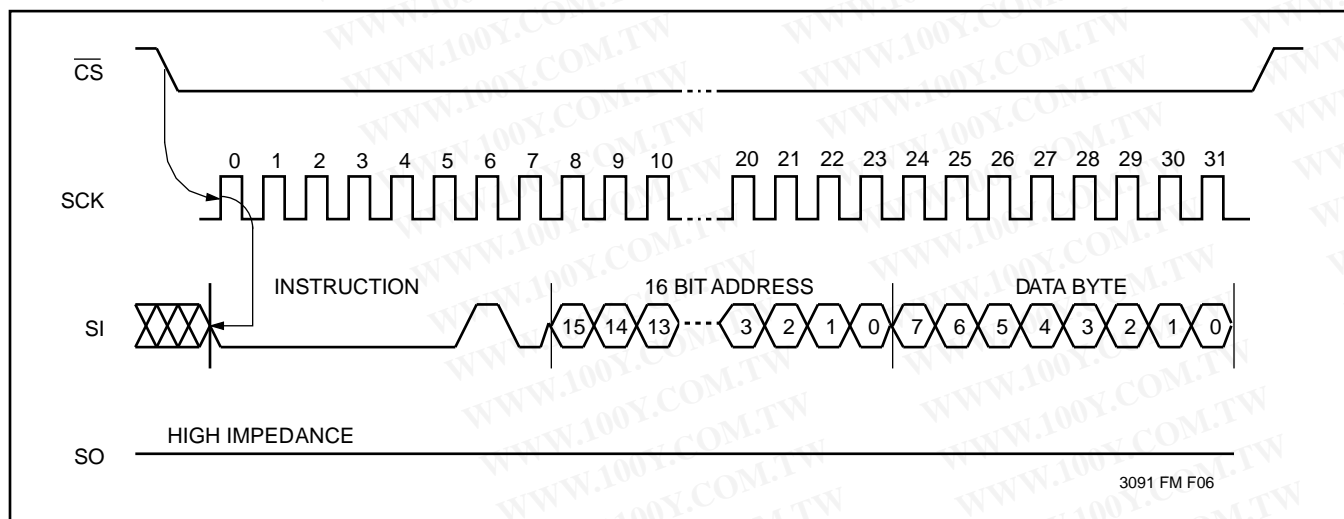


Figure 4. Byte Write Operation Sequence



勝特力材料 886-3-5753170
勝特力電子 86-755-83298787
[Http://www.100y.com.tw](http://www.100y.com.tw)

X25128

ABSOLUTE MAXIMUM RATINGS*

Temperature under Bias	-65°C to +135°C
Storage Temperature.....	-65°C to +150°C
Voltage on any Pin with Respect to V_{SS}	-1V to +7V
D.C. Output Current.....	5mA
Lead Temperature (Soldering, 10 seconds)	300°C

*COMMENT

Stresses above those listed under "Absolute Maximum Ratings" may cause permanent damage to the device. This is a stress rating only and the functional operation of the device at these or any other conditions above those indicated in the operational sections of this specification is not implied. Exposure to absolute maximum rating conditions for extended periods may affect device reliability.

RECOMMENDED OPERATING CONDITIONS

Temperature	Min.	Max.
Commercial	0°C	+70°C
Industrial	-40°C	+85°C
Military	-55°C	+125°C

3091 FM T06.1

Supply Voltage	Limits
X25128	5V ±10%
X25128-2.7	2.5V to 5.5V

3091 FM T07.2

D.C. OPERATING CHARACTERISTICS

Symbol	Parameter	Limits		Units	Test Conditions
		Min.	Max.		
I_{CC}	V_{CC} Supply Current (Active)		5	mA	SCK = $V_{CC} \times 0.1/V_{CC} \times 0.9$ @ 2 MHz, SO = Open, $\overline{CS} = V_{SS}$
I_{SB}	V_{CC} Supply Current (Standby)		1	μA	$\overline{CS} = V_{CC}$, $V_{IN} = V_{SS}$ or V_{CC}
I_{LI}	Input Leakage Current		10	μA	$V_{IN} = V_{SS}$ to V_{CC}
I_{LO}	Output Leakage Current		10	μA	$V_{OUT} = V_{SS}$ to V_{CC}
$V_{IL}^{(1)}$	Input LOW Voltage	-1	$V_{CC} \times 0.3$	V	
$V_{IH}^{(1)}$	Input HIGH Voltage	$V_{CC} \times 0.7$	$V_{CC} + 0.5$	V	
V_{OL1}	Output LOW Voltage		0.4	V	$V_{CC} = 5V$, $I_{OL} = 3mA$
V_{OH1}	Output HIGH Voltage	$V_{CC} - 0.8$		V	$V_{CC} = 5V$, $I_{OH} = -1.6mA$
V_{OL2}	Output LOW Voltage		0.4	V	$V_{CC} = 3V$, $I_{OL} = 1.5mA$
V_{OH2}	Output HIGH Voltage	$V_{CC} - 0.3$		V	$V_{CC} = 3V$, $I_{OH} = -0.4mA$

POWER-UP TIMING

Symbol	Parameter	Min.	Max.	Units
$t_{PUR}^{(3)}$	Power-up to Read Operation		1	ms
$t_{PUW}^{(3)}$	Power-up to Write Operation		5	ms

3091 FM T09

CAPACITANCE $T_A = +25^\circ C$, $f = 1MHz$, $V_{CC} = 5V$

Symbol	Test	Max.	Units	Conditions
$C_{OUT}^{(2)}$	Output Capacitance (SO)	8	pF	$V_{OUT} = 0V$
$C_{IN}^{(2)}$	Input Capacitance (SCK, SI, \overline{CS} , \overline{WP} , HOLD)	6	pF	$V_{IN} = 0V$

3091 FM T10.1

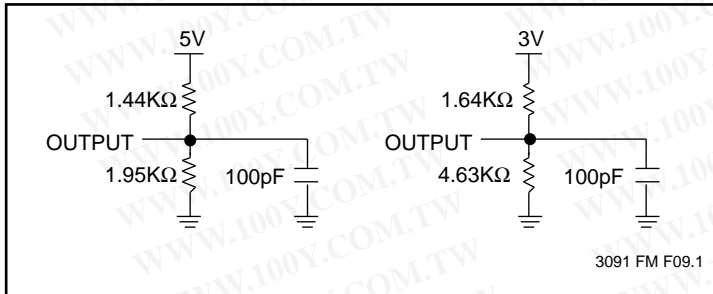
Notes: (1) V_{IL} min. and V_{IH} max. are for reference only and are not tested.

(2) This parameter is periodically sampled and not 100% tested.

(3) t_{PUR} and t_{PUW} are the delays required from the time V_{CC} is stable until the specified operation can be initiated. These parameters are periodically sampled and not 100% tested.

X25128

EQUIVALENT A.C. LOAD CIRCUIT



A.C. CONDITIONS OF TEST

Input Pulse Levels	$V_{CC} \times 0.1$ to $V_{CC} \times 0.9$
Input Rise and Fall Times	10ns
Input and Output Timing Levels	$V_{CC} \times 0.5$

3091 FM T11

A.C. OPERATING CHARACTERISTICS (Over recommended operating conditions, unless otherwise specified.)

Data Input Timing

Symbol	Parameter	Min.	Max.	Units
f_{SCK}	Clock Frequency	0	2	MHz
t_{CYC}	Cycle Time	500		ns
t_{LEAD}	\overline{CS} Lead Time	250		ns
t_{LAG}	\overline{CS} Lag Time	250		ns
t_{WH}	Clock HIGH Time	200		ns
t_{WL}	Clock LOW Time	200		ns
t_{SU}	Data Setup Time	50		ns
t_H	Data Hold Time	50		ns
$t_{RI}^{(4)}$	Data In Rise Time		2	μs
$t_{FI}^{(4)}$	Data In Fall Time		2	μs
t_{HD}	\overline{HOLD} Setup Time	100		ns
t_{CD}	\overline{HOLD} Hold Time	100		ns
t_{CS}	\overline{CS} Deselect Time	2.0		μs
$t_{WC}^{(5)}$	Write Cycle Time		10	ms

3091 FM T12.2

Data Output Timing

Symbol	Parameter	Min.	Max.	Units
f_{SCK}	Clock Frequency	0	2	MHz
t_{DIS}	Output Disable Time		250	ns
t_V	Output Valid from Clock LOW		200	ns
t_{HO}	Output Hold Time	0		ns
$t_{RO}^{(4)}$	Output Rise Time		100	ns
$t_{FO}^{(4)}$	Output Fall Time		100	ns
$t_{LZ}^{(4)}$	\overline{HOLD} HIGH to Output in Low Z	100		ns
$t_{HZ}^{(4)}$	\overline{HOLD} LOW to Output in Low Z	100		ns

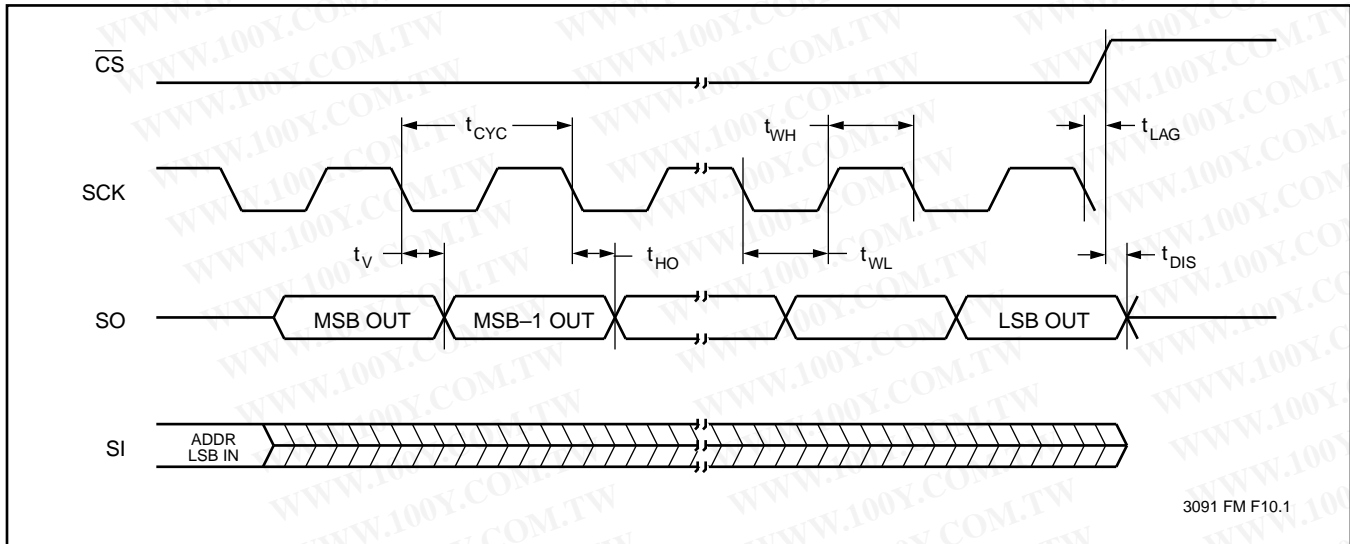
3091 FM T13.2

Notes: (4) This parameter is periodically sampled and not 100% tested.

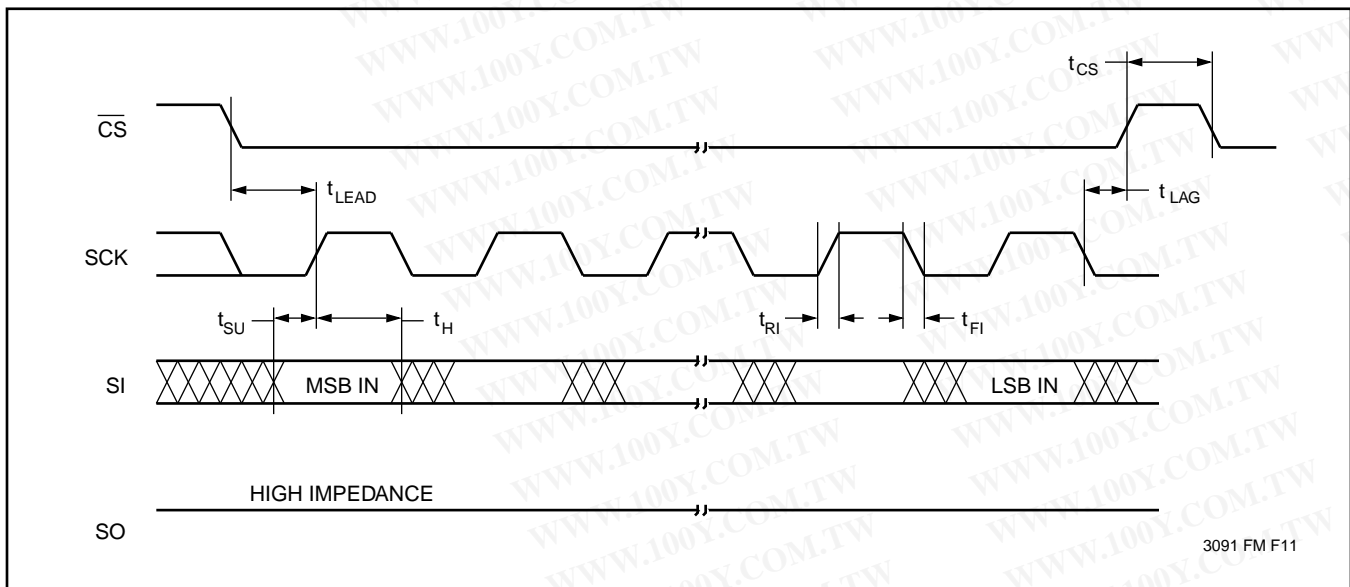
(5) t_{WC} is the time from the rising edge of \overline{CS} after a valid write sequence has been sent to the end of the self-timed internal nonvolatile write cycle.

X25128

Serial Output Timing



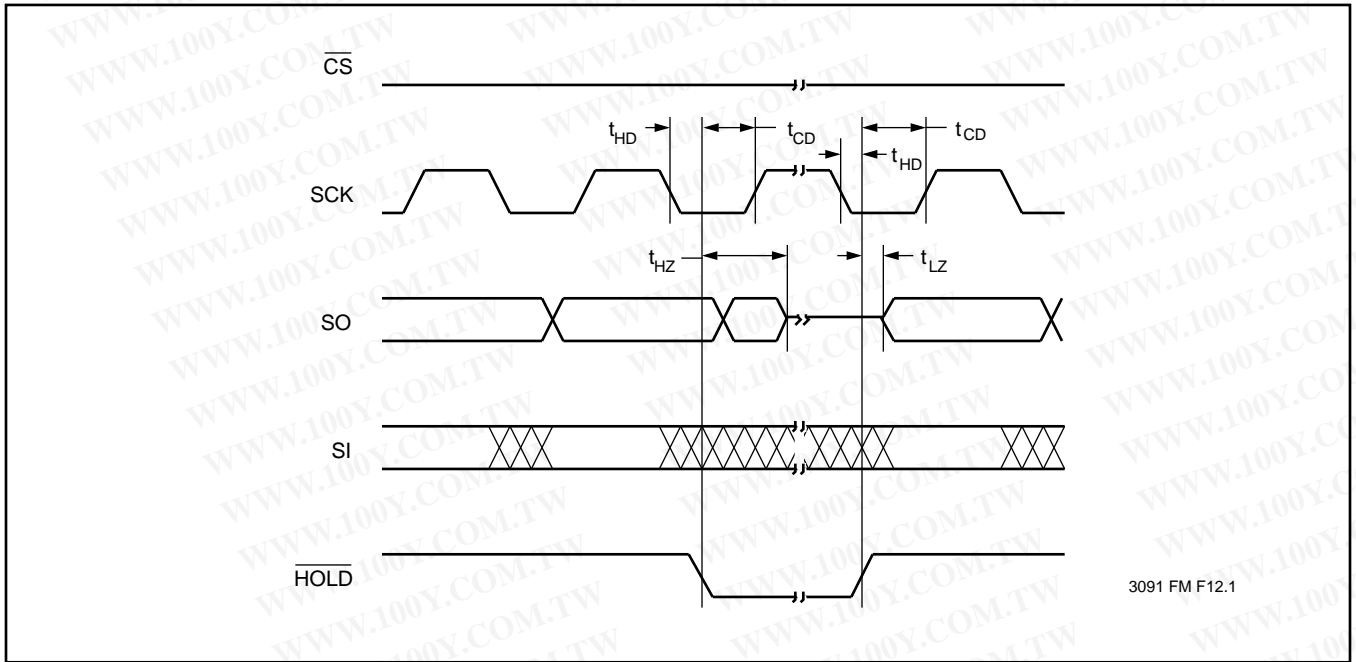
Serial Input Timing



勝特力材料 886-3-5753170
勝特力電子 86-755-83298787
[Http://www.100y.com.tw](http://www.100y.com.tw)

X25128

Hold Timing



Symbol Table

WAVEFORM	INPUTS	OUTPUTS
	Must be steady	Will be steady
	May change from LOW	Will change from LOW to HIGH
	May change from HIGH to LOW	Will change from HIGH to LOW
	Don't Care: Changes Allowed	Changing: State Not Known
	N/A	Center Line is High Impedance

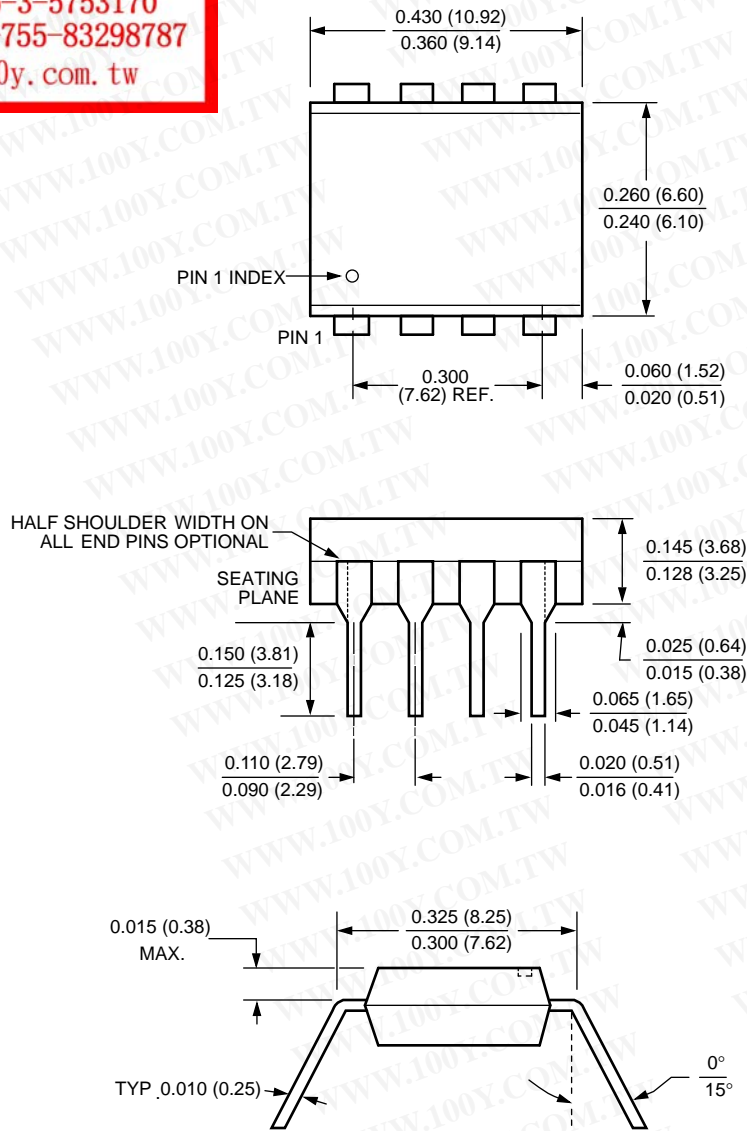
勝特力材料 886-3-5753170
 勝特力電子 86-755-83298787
[Http://www.100y.com.tw](http://www.100y.com.tw)

X25128

PACKAGING INFORMATION

8-LEAD PLASTIC DUAL IN-LINE PACKAGE TYPE P

勝特力材料 886-3-5753170
勝特力電子 86-755-83298787
[Http://www.100y.com.tw](http://www.100y.com.tw)



NOTE:

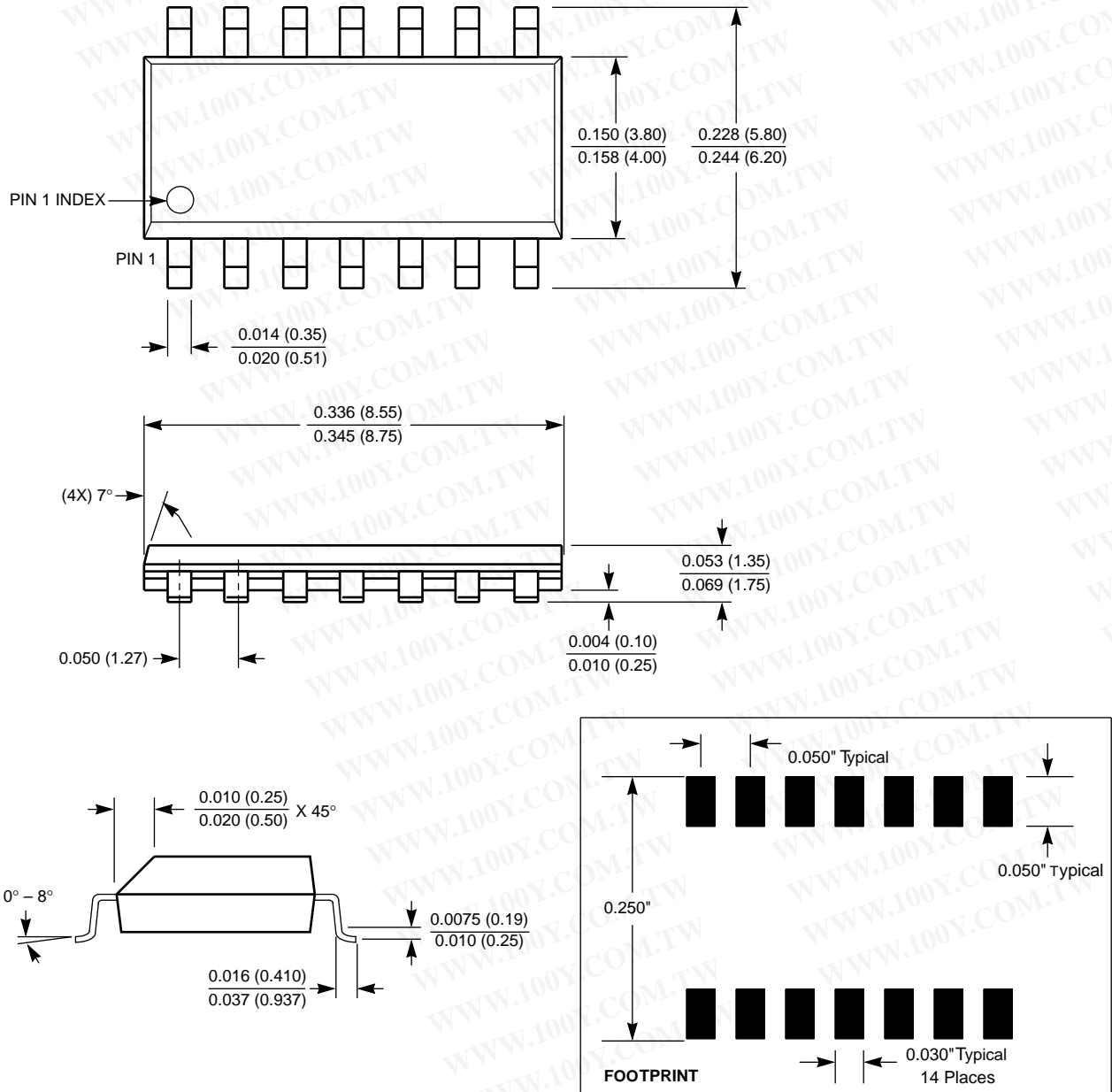
1. ALL DIMENSIONS IN INCHES (IN PARENTHESES IN MILLIMETERS)
2. PACKAGE DIMENSIONS EXCLUDE MOLDING FLASH

7040 FM 18

X25128

PACKAGING INFORMATION

14-LEAD PLASTIC SMALL OUTLINE GULLWING PACKAGE TYPE S

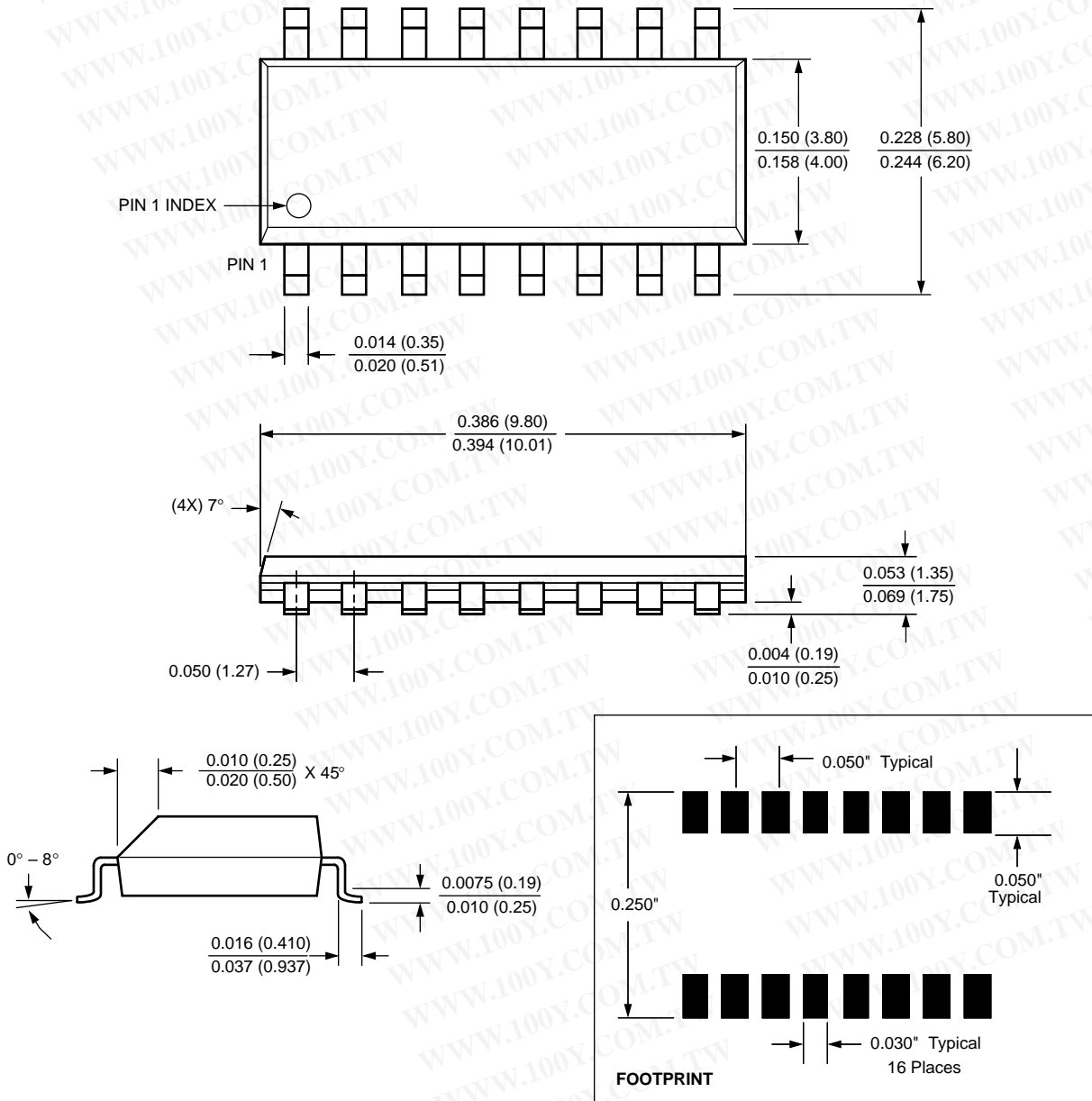


NOTE: ALL DIMENSIONS IN INCHES (IN PARENTHESES IN MILLIMETERS)

X25128

PACKAGING INFORMATION

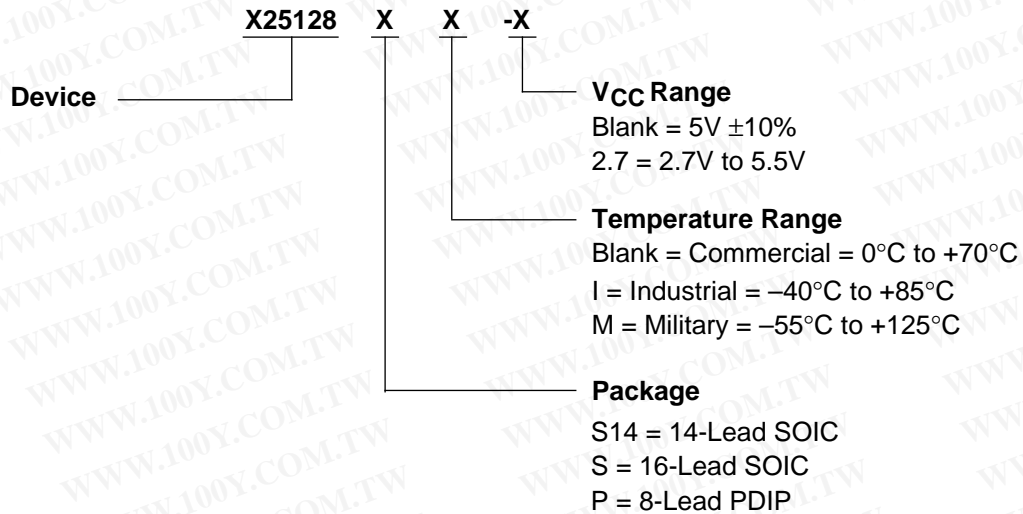
16-LEAD PLASTIC SMALLOUTLINE GULL WING PACKAGE TYPE S



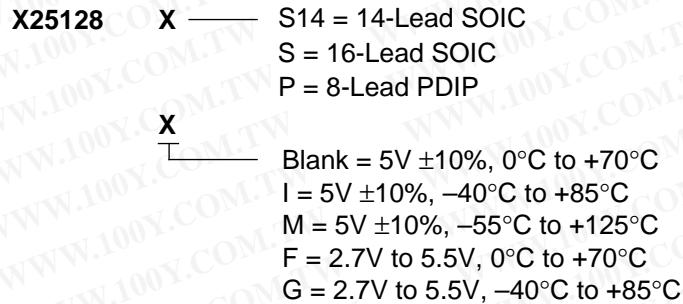
NOTE: ALL DIMENSIONS IN INCHES (IN PARENTHESES IN MILLIMETERS)

X25128

ORDERING INFORMATION



Part Mark Convention



LIMITED WARRANTY

Devices sold by Xicor, Inc. are covered by the warranty and patent indemnification provisions appearing in its Terms of Sale only. Xicor, Inc. makes no warranty, express, statutory, implied, or by description regarding the information set forth herein or regarding the freedom of the described devices from patent infringement. Xicor, Inc. makes no warranty of merchantability or fitness for any purpose. Xicor, Inc. reserves the right to discontinue production and change specifications and prices at any time and without notice.

Xicor, Inc. assumes no responsibility for the use of any circuitry other than circuitry embodied in a Xicor, Inc. product. No other circuits, patents, licenses are implied.

U.S. PATENTS

Xicor products are covered by one or more of the following U.S. Patents: 4,263,664; 4,274,012; 4,300,212; 4,314,265; 4,326,134; 4,393,481; 4,404,475; 4,450,402; 4,486,769; 4,488,060; 4,520,461; 4,533,846; 4,599,706; 4,617,652; 4,668,932; 4,752,912; 4,829, 482; 4,874, 967; 4,883, 976. Foreign patents and additional patents pending.

LIFE RELATED POLICY

In situations where semiconductor component failure may endanger life, system designers using this product should design the system with appropriate error detection and correction, redundancy and back-up features to prevent such an occurrence.

Xicor's products are not authorized for use in critical components in life support devices or systems.

1. Life support devices or systems are devices or systems which, (a) are intended for surgical implant into the body, or (b) support or sustain life, and whose failure to perform, when properly used in accordance with instructions for use provided in the labeling, can be reasonably expected to result in a significant injury to the user.
2. A critical component is any component of a life support device or system whose failure to perform can be reasonably expected to cause the failure of the life support device or system, or to affect its safety or effectiveness.