

# WTCPT Temperature Controlled Soldering Station



**The Weller Advantage**

- Utilizes unique closed loop method of controlling maximum tip temperature - protects temperature sensitive components
- A ferromagnetic temperature sensor in the tip controls tip temperature - no adjustments are necessary. Provides process control

WTCPT includes: *PU120T* power unit, *TC201T* soldering pencil, and *PH1201ESD* stand and sponge.

**勝特力材料 886-3-5753170**  
**勝特力电子(上海) 86-21-54151736**  
**勝特力电子(深圳) 86-755-83298787**  
[Http://www.100y.com.tw](http://www.100y.com.tw)

**Applications:**

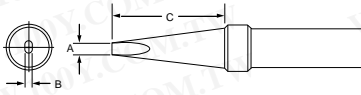
- Production, rework, and repair of through hole and SMT boards. Some ground planes and multi-layer boards. Repetitive soldering at a consistent temperature.

**Additional Product Features and Benefits:**

- A lighted rocker switch indicates on/off status
- Quick disconnect plug for soldering iron allows fast iron change
- PT series tips are available in three standard temperature ranges: 600°F, 700°F, 800°F. See page 13
- Power unit features impact resistant plastic for durability
- ESD safe to protect sensitive components
- UL and cUL listed

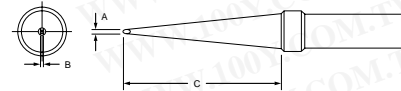
Station	WTCPT	Pencil	TC201T
Voltage	120V (input); 24V (output)	Power Consumption	42W
Power Consumption	60W	Heating Element Type	Nichrome Wound, Plug-in
Temperature Range	600°F - 800°F (316°C - 427°C)	Iron Cord Length	4 ft. (1.22 m)
Footprint	4 1/2 X 5 15/16 X 3 5/8 IN (114 X 150 X 91MM)	Supplied Tip	PTA7
Weight	3.9 lb. (1.78 kg)	Iron Stand	PH1201ESD
ESD Safe?	Yes		

# PT Series Tips for TC201T Soldering Pencil



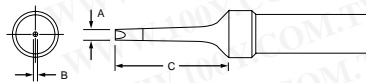
**Screwdriver**

Cat. No.	Cat. No.	Cat. No.	A		B		C	
			in.	mm	in.	mm	in.	mm
600°	700°	800°						
PTH6	PTH7	PTH8	0.031	0.79	0.019	0.48	0.62	15.87
PTA6	PTA7*	PTA8*	0.062	1.57	0.032	0.81	0.62	15.87
PTB6	PTB7*	PTB8*	0.093	2.38	0.020	0.51	0.62	15.87
PTC6	PTC7*	PTC8*	0.125	3.17	0.027	0.69	0.62	15.87
PTD6	PTD7	PTD8*	0.187	4.74	0.035	0.89	0.62	15.87
--	PTE7	PTE8	0.234	5.95	0.042	1.07	0.62	15.87



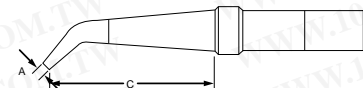
**Long Screwdriver**

Cat. No.	Cat. No.	Cat. No.	A		B		C	
			in.	mm	in.	mm	in.	mm
600°	700°	800°						
--	PTJ7	PTJ8	0.031	0.79	0.012	0.30	1.00	25.40
PTKX6	--	--	0.046	1.17	0.030	0.76	1.00	25.40
PTK6	PTK7*	PTK8	0.046	1.19	0.026	0.66	1.00	25.40
--	PTL7	PTL8	0.078	1.98	0.027	0.69	1.00	25.40
--	PTM7	PTM8	0.125	3.17	0.037	0.94	1.00	25.40



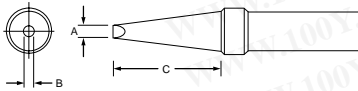
**Narrow Screwdriver**

Cat. No.	Cat. No.	Cat. No.	A		B		C	
			in.	mm	in.	mm	in.	mm
600°	700°	800°						
PTR6	PTR7	PTR8	0.062	1.58	0.044	1.12	0.62	15.87



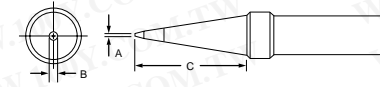
**Slotted Bent**

Cat. No.	Cat. No.	Cat. No.	A		B		C	
			in.	mm	in.	mm	in.	mm
600°	700°	800°						
--	PTZ7	--	0.020	0.50	--	--	1.00	25.40



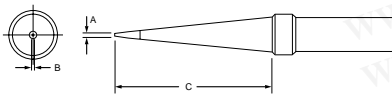
**Single Flat**

Cat. No.	Cat. No.	Cat. No.	A		B		C	
			in.	mm	in.	mm	in.	mm
600°	700°	800°						
--	PTAA7	PTAA8	0.062	1.57	0.040	1.42	0.62	15.87
--	PTBB7	PTBB8	0.093	2.38	0.032	0.81	0.62	15.87
--	PTCC7	PTCC8	0.125	3.17	0.032	0.81	0.62	15.87
--	PTDD7	PTDD8	0.187	4.74	0.032	0.81	0.62	15.87



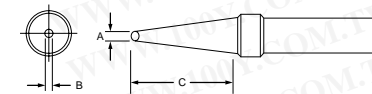
**Conical**

Cat. No.	Cat. No.	Cat. No.	A		B		C	
			in.	mm	in.	mm	in.	mm
600°	700°	800°						
--	--	PTT8	0.025	0.63	0.036	0.91	0.62	15.87
PTP6	PTP7*	PTP8*	0.031	0.79	0.012	0.30	0.62	15.87



**Long Conical**

Cat. No.	Cat. No.	Cat. No.	A		B		C	
			in.	mm	in.	mm	in.	mm
600°	700°	800°						
PTS6	PTS7	PTS8	0.015	0.39	--	--	1.00	25.40
PTO6	PTO7*	PTO8*	0.031	0.79	0.044	1.12	1.00	25.40



**Conical Flat**

Cat. No.	Cat. No.	Cat. No.	A		B		C	
			in.	mm	in.	mm	in.	mm
600°	700°	800°						
--	PTF7	PTF8	0.047	1.19	0.033	0.84	0.62	15.87

勝特力材料 886-3-5753170  
 勝特力电子(上海) 86-21-54151736  
 勝特力电子(深圳) 86-755-83298787  
[Http://www.100y.com.tw](http://www.100y.com.tw)

# Weller® Tech Sheet

## WTCPT SOLDERING STATION

A transformer powered soldering station, complete with a lightweight, heat insulated, low voltage, temperature controlled soldering iron.

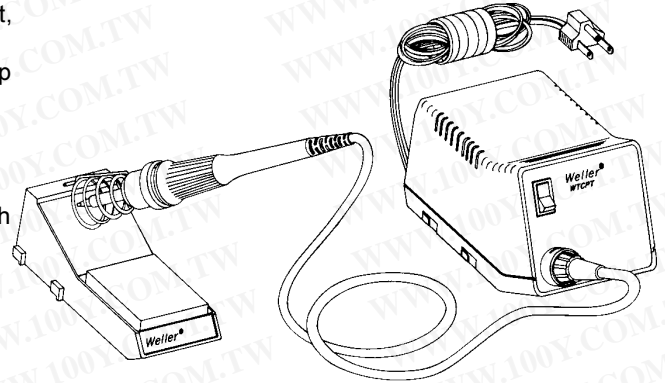
The special Weller® "closed loop" method of controlling maximum tip temperature sensitive components. The soldering iron features a stainless steel, plug in heating element construction, a non-burning silicone rubber cord, and a large selection of tips in sizes from 1/64" diameter to 15/64" diameter with a choice of tip temperature of 600°F, 700°F and 800°F. The soldering iron is normally provided with a PTA7 1/16" screwdriver 700°F.

The station features a housing of an impact resistant polycarbonate plastic for durability and protection against accidental damage, a quick disconnect plug for the soldering iron, a lighted on-off switch, and a flexible 3 wire power cord.

The plastic soldering iron holder can be used attached to either side of the transformer case, or separated as shown. The iron holder incorporates a water reservoir with wick to keep the tip wiping sponge moist.

The station housing and hand piece are grounded with a separate conductor that terminates at the third pin on the power cord. The Weller® units are UL listed.

**WARNING:** This product, when used for soldering and similar applications, produces chemicals known to the State of California to cause cancer and birth defects or other reproductive harm.



## SPECIFICATIONS

### POWER UNIT

1. Power input: 120 VAC, 60 Hz, (240VAC  $\pm$ 10%, 50/60 Hz) 60 watts.
2. Power unit output voltage: isolated 24 VAC @ 1.75 amperes.
3. Size: 4.5" x 5.875" x 3.625".
4. Line Cord: 3 wire U.L. recognized.

勝特力材料 886-3-5753170  
勝特力电子(上海) 86-21-54151736  
勝特力电子(深圳) 86-755-83298787  
[Http://www.100y.com.tw](http://www.100y.com.tw)

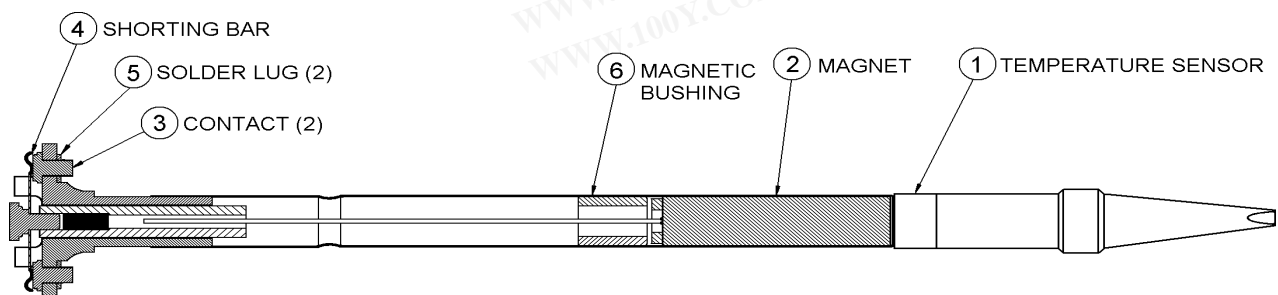
### SOLDERING IRON

1. Wattage: 42 watts.
2. Iron weight: 2 ounces
3. Recovery time (from 100°F drop) with PTA7 tip: 11 seconds.
4. Cord: Silicone rubber, burn resistant, 4 feet.

## PRINCIPLE OF OPERATION

When the soldering tip is cold, a ferromagnetic temperature sensor (1) attached to the tip attracts a permanent magnet (2). The magnet movement causes a shorting bar (4) to make contact with a set of isolated electrical contacts (3) thereby supplying power to the heating element through the solder lugs (5). When the tip reaches its idle temperature, the sensor becomes nonmagnetic and no longer attracts the magnet. Then a magnetic bushing (6) attracts the magnet causing the shorting bar to break the circuit. In this manner, power to the heating element is turned on and off automatically.

**CAUTION:** Tip is grounded, do not solder an energized circuit.



## WTCPT OPERATING INSTRUCTIONS

Unpack unit carefully. Place spring and funnel in slot in top of tool stand. Attach tool stand to either side of power unit, if desired. Fill reservoir with water and wet sponge, distilled water is preferred. Insert tool in holder and connect tool plug to receptacle on power unit; rotate plug housing to lock plug into receptacle. Insure correct tip is installed in iron, insert line cord plug into properly grounded AC receptacle and turn unit on. Wait 30 seconds and tin tip with solder. Unit is not ready for use.

All Weller® PT series soldering iron tips are plated with an exclusive process that deposits three protective coatings. The high conductivity copper tips are iron plated, nickel plated, then chromium plated on the non-working surfaces. The working surface is then pre-tinned. The chromium and nickel plating of the tip prevents oxidation of the iron plating which can cause freezing of the tip in the iron. Weller® "temperature sensing" tips have a small ferromagnet sensing element attached to the tip shank. The sensing element is coded with a number to indicate the tip idle temperature in hundreds of degrees F. Thus a simple change of tips is all that is necessary to adapt the tool to an entirely different temperature range. **Use only original Weller® soldering tips. The use of non-Weller components may void product warranty if the non-Weller component causes damage to the unit.**

### SELECTION OF WELLER® PT SERIES TIPS

1. Select a tip configuration with the maximum working surface, thickest cross section, and shortest reach compatible with the size, the accessibility, and the visual restrictions of the solder joint.
2. Select a tip temperature based on the size of the solder joint, the temperature sensitivity of the components, and the production rate required. Please note that tip life is directly related to tip temperature, the lower the tip temperature the longer the tip life.

600°F	700°F	800°F	DESCRIPTION	TIP	REACH
	PTA7	PTA8	Screwdriver	1/16"	5/8"
PTA6	PTAA7	PTAA8	Single Flat	1/16"	5/8"
	PTB7	PTB8	Screwdriver	3/32"	5/8"
PTB6	PTBB7	PTBB8	Single Flat	3/32"	5/8"
	PTC7	PTC8	Screwdriver	1/8"	5/8"
PTC6	PTCC7	PTCC8	Single Flat	1/8"	5/8"
	PTD7	PTD8	Screwdriver	3/16"	3/4"
PTD6	PTDD7	PTDD8	Single Flat	3/16"	5/8"
	PTE7	PTE8	Screwdriver	15/64"	5/8"
	PTF7	PTF8	Conical Flat	1/32"	5/8"
	PTH7	PTH8	Screwdriver	1/32"	5/8"
PTH6	PTJ7	PTJ8	Screwdriver	1/64"	1"
	PTK7	PTK8	Long Screwdriver	3/64"	1"
PTK6	PTL7	PTL8	Long Screwdriver	5/64"	1"
	PTM7	PTM8	Long Screwdriver	1/8"	1"
	PTN7		Screwdriver	1/16"	3/4"
PTO6	PTO7	PTO8	Long Conical	1/32"	1"
PTP6	PTP7	PTP8	Conical	1/32"	5/8"
PTQ6		PTQ8	Single Flat	1/32"	5/8"
PTR6	PTR7	PTR8	Narrow Screwdriver	1/16"	5/8"
PTS6	PTS7	PTS8	Long Conical	1/64"	1"
		PTT8	Conical	.025	5/8"
PTX6	PTX7		Bent, Slotted	1/32"	
	PTZ7	PTZ8	Bent, Slotted	.020	

### CARE OF WELLER® PT SERIES TIPS

1. Keep tinned, wipe only before using.
2. Use rosin or activated rosin fluxes. Acid type flux will greatly reduce tip life.
3. Remove tip and clean with suitable cleaner for flux used. The frequency of cleaning will depend on the type of work and usage. Tips in constant use should be cleaned at least once a week.
4. Don't try to clean tip with abrasive materials and never file tip, to do so will greatly reduce tip life. If the tip becomes unwettable, it may be cleaned with a soft iron or brass brush using solder flux as a solvent; or the Weller® WPB1 Polishing bar.
5. Don't remove excess solder from heated tip before sorting. The excess solder will prevent oxidation of the wettable surface when tip is reheated.
6. Don't use anti-seize compounds on tips, the tips have been plated for oxidation protection.

勝特力材料 886-3-5753170  
 勝特力电子(上海) 86-21-54151736  
 勝特力电子(深圳) 86-755-83298787  
[Http://www.100y.com.tw](http://www.100y.com.tw)

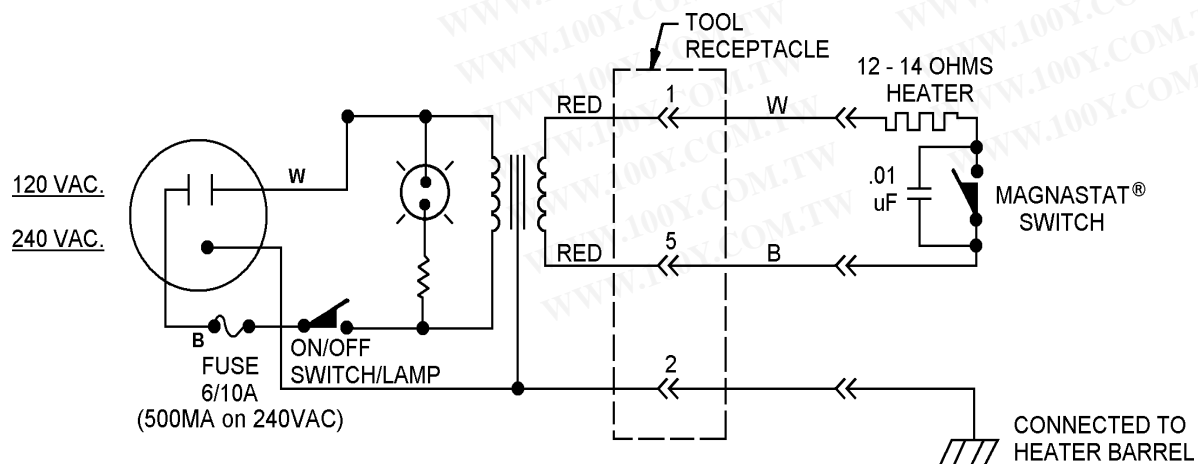
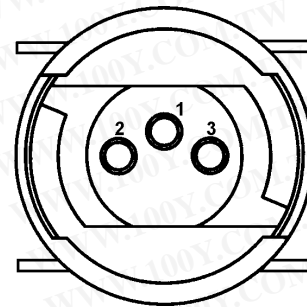
## WTCPT TROUBLESHOOTING GUIDE

**WARNING:** AC line voltage is present inside power unit even when power switch is off. Refer service to qualified personnel.

**NOTE:** Access to internal parts may be gained by removing four rubber feet, four bottom screws and case top.

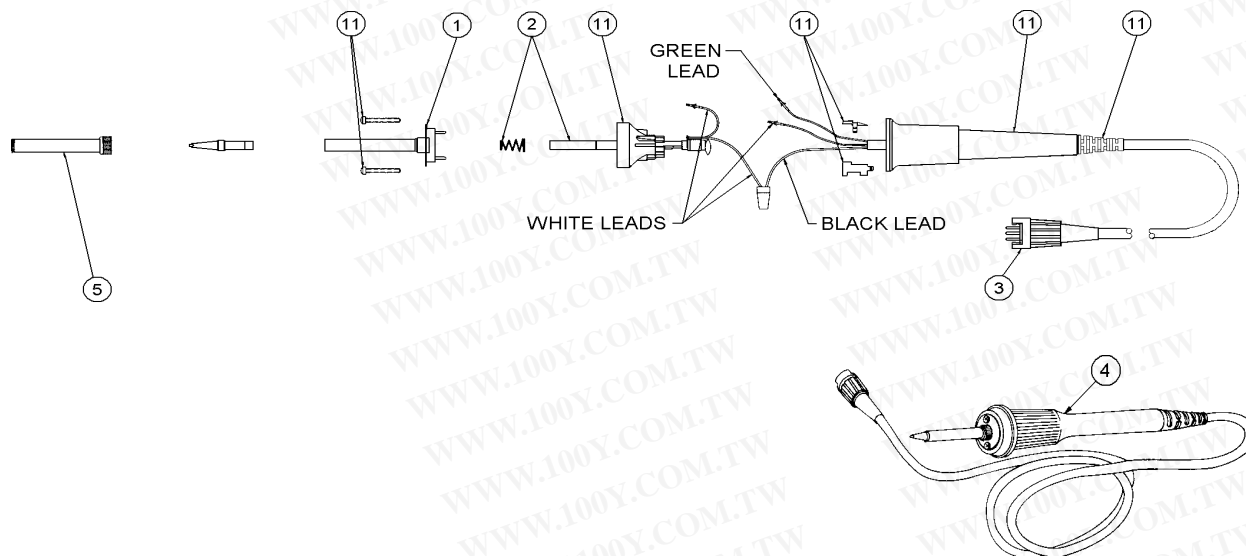
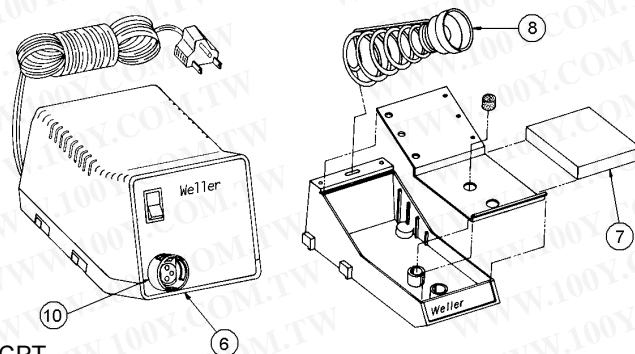
1. Tool does not heat.
  - 1.1 Check at pin 1 and pin 2 of power unit tool receptacle for 24VAC. If not present, proceed to step 1.3. If power unit tests good, TC201T tool is defective.
  - 1.2 TC201T troubleshooting guide. (Tool does not heat).
    - 1.2.1 Tip Check – inspect tip for missing magnastat or wrong type tip. Replace tip. Check tip spring action, there should be 1/16" minimum spring action.
    - 1.2.2 Heating Element Check – check resistance at pin 1 and pin 2 of tool plug for 12 to 14 ohms. If tool tests good, connector pins are worn or damaged and not making good contact. If tool tests bad, remove two screws from heating element flange. Grasp heater barrel and black heat insulator, pull heating element free from tool. Check resistance at two closely spaced pins on heating element for 12 to 14 ohms.
    - 1.2.3 Magnastat Switch Check – Place tool on workbench with flat at rear of handle up. Insert 3/16" flat blade screwdriver into slot at rear of handle. Compress cord by pushing downward and toward handle until cord is pushed into handle (do not pry on handle). This releases the strain relief catch. Slide handle down cord to expose switch terminals. Check for proper magnastat switch operation by testing for continuity across magnastat switch terminals with tip held against end of switch; and loss of continuity when tip is removed. If magnastat checks good, check iron cord wiring for continuity.
  - 1.3 PU120T power unit troubleshooting guide. (No 24VAC at tool receptacle, step 1.1).
    - 1.3.1 Check for switch light when unit is turned on. If switch light is not illuminated, replace fuse located in base. Use 6/10 amp fuse (500MA, 5x20MM on 240V models). If still not illuminated, the switch, line cord, or associated wiring is defective. Unplug unit from AC line and check wiring.
    - 1.3.2 Check for 26VAC,  $\pm 2V$ , between red and yellow transformer leads, Replace fuse or transformer if defective.
2. TC201T iron overheats or temperature is higher than marked on tip.
  - 2.1 Replace tip with Weller® tip.
  - 2.2 Check magnastat switch and heating element. Refer to step 1.2.2 and 1.2.3 above.
3. High tip voltage or indication of circuit component damage.
  - 3.1 Check for 2 ohms maximum from tip to ground prong on line cord plug, repair as required.

勝特力材料 886-3-5753170  
勝特力电子(上海) 86-21-54151736  
勝特力电子(深圳) 86-755-83298787  
[Http://www.100y.com.tw](http://www.100y.com.tw)



勝特力材料 886-3-5753170  
 勝特力电子(上海) 86-21-54151736  
 勝特力电子(深圳) 86-755-83298787  
[Http://www.100y.com.tw](http://www.100y.com.tw)

KEY NUMBER	PART NUMBER	DESCRIPTION
1	EC234	Heater
2	SW60	Switch assembly with spring
3	TC217	Corset with plug
4	TC201T	Soldering iron with PTA7 tip
5	BA60	Barrel nut assembly
6	PU120T	Power unit only, WTCPT, 120V
7	TC205	Sponge
8	TC204	Spring and funnel for iron stand
9	PH1201ESD	Iron stand with spring and funnel
10	PL120	Plug/receptacle kit
11	TC218	Handle assembly
Not Shown	SHA1	Cushion grip sleeve
Not Shown	SW130	Switch, 120VAC, WTCPT
Not Shown	SW230	Switch, 240VAC, WTCPTD
Not Shown	TR215	Power transformer, 120VAC, WTCPT
Not Shown	TR216	Power transformer, 240VAC, WTCPTD



### OPTIONAL PARTS FOR THE WTCPT

PART NUMBER	DESCRIPTION
SF60	Tool funnel for SMT tips
SMTA6	600°F Surface mount tip adapter for TC201T
SMTA8	800°F Surface mount tip adapter for
WPB1	Weller® tip polishing bar