

W005M THRU W10M

SINGLE PHASE SILICON BRIDGE RECTIFIERS

FEATURES:

- Ideal for printed circuit board
- Low forward voltage drop
- Low leakage current

勝特力材料 886-3-5753170
 勝特力电子(上海) 86-21-54151736
 勝特力电子(深圳) 86-755-83298787
[Http://www.100y.com.tw](http://www.100y.com.tw)

MECHANICAL DATA

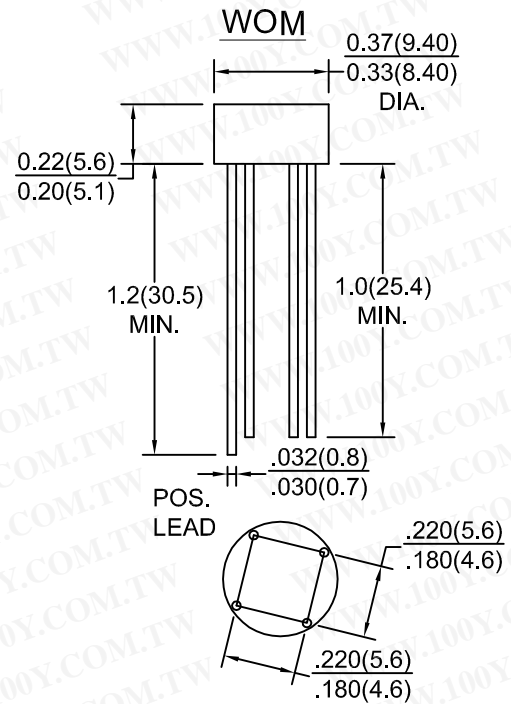
Case : Molded plastic body

Terminals :plated leads, solderable per MIL-STD-202,
Method 208 guaranteed

Polarity : Color band on body denotes cathode end

Mounting Position : Any

Weight : 1.07 grams



Dimensions in inches and (millimeters)

MAXIMUM RATINGS AND ELECTRICAL CHARACTERISTICS

Rating at 25°C ambient temp. unless otherwise specified.

Single phase, half sine wave, 60 Hz, resistive or inductive load.

For capacitive load, derate current by 20 %.

Characteristic	Symbol	W005M	W01M	W02M	W04M	W06M	W08M	W10M	Units
Maximum recurrent peak reverse voltage	V_{RRM}	50	100	200	400	600	800	1000	Volts
Maximum RMS voltage	V_{RMS}	35	70	140	280	420	560	700	Volts
Maximum DC blocking voltage	V_{DC}	50	100	200	400	600	800	1000	Volts
Maximum average forward rectified current .375"(9.5mm) lead length at Ta=50°C	I_O				1.5				Amps
Peak forward surge current ,8.3ms single half sine-wave superimposed on rated load(JEDEC Method)	I_{FSM}				50				Amps
Maximum instantaneous forward voltage drop per bridge element at 1.0 A	V_F				1.0				Volts
Maximum DC reverse current at rated DC blocking voltage Ta=25 °C Ta=100°C	I_R				10 500				μA
Operating temperature range	T_j				-65 to +125				°C
Storage temperature range	T_{stg}				-65 to +150				°C

RATINGS AND CHARACTERISTIC CURVES W005M THRU W10M

FIG.1-TYPICAL FORWARD CURRENT DERATING CURVE

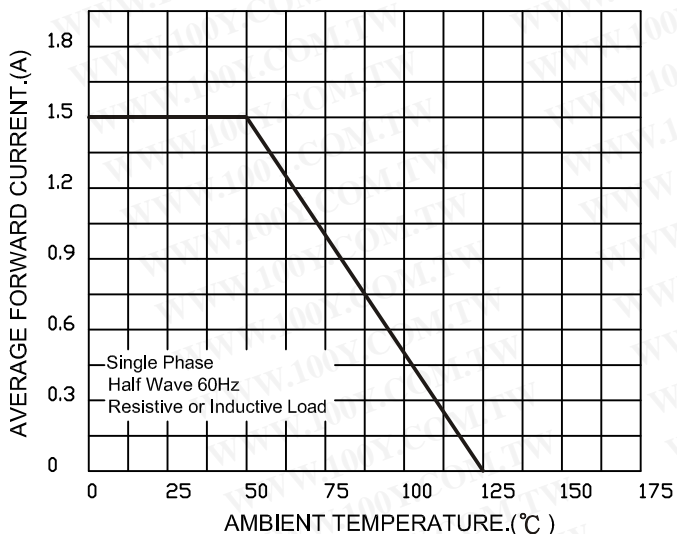


FIG.2-MAXIMUM NON-REPETITIVE FORWARD SURGE CURRENT

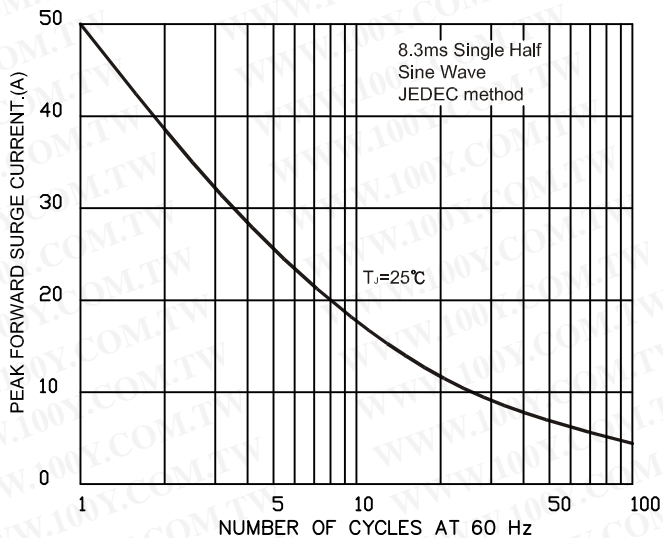


FIG.3-TYPICAL FORWARD CHARACTERISTICS

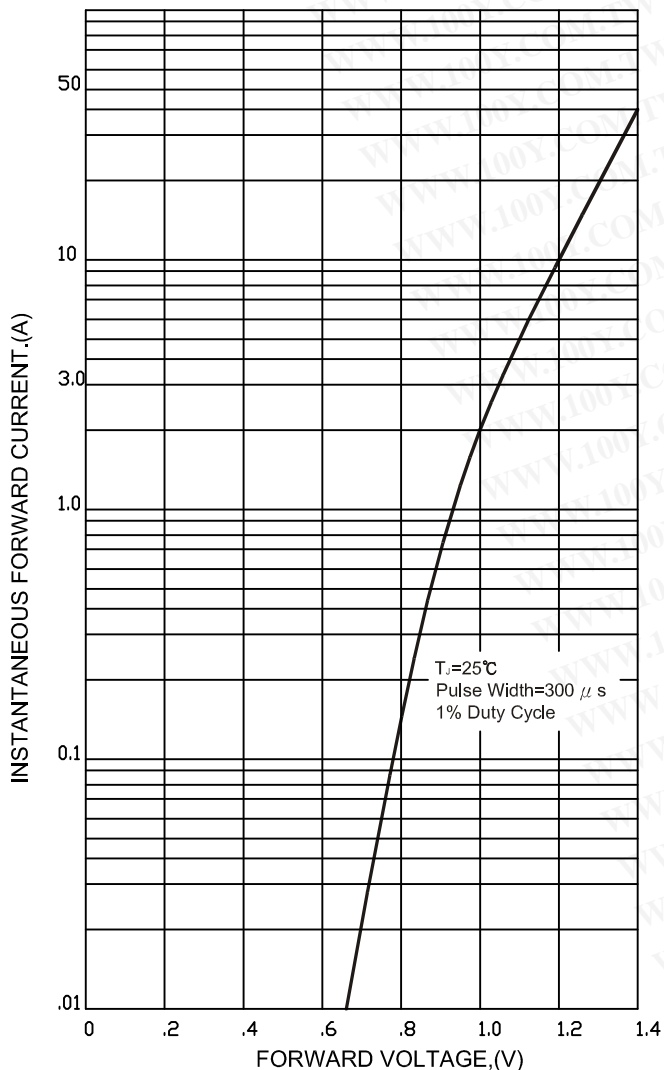
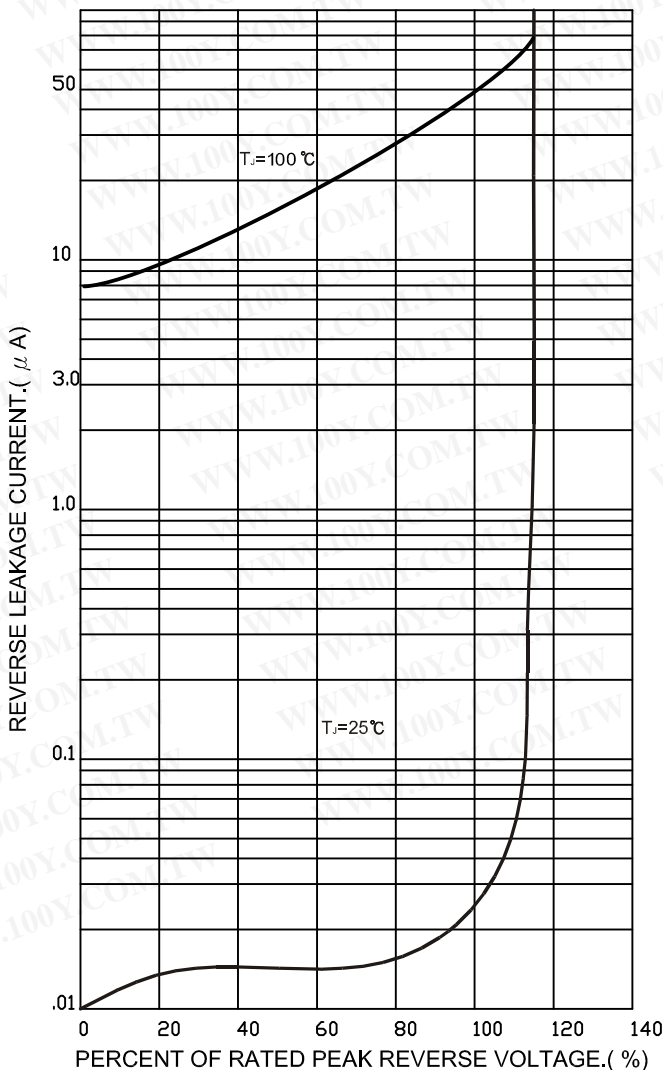


FIG.4-TYPICAL REVERSE CHARACTERISTICS



勝特力材料 886-3-5753170
 勝特力电子(上海) 86-21-54151736
 勝特力电子(深圳) 86-755-83298787
[Http://www.100y.com.tw](http://www.100y.com.tw)