

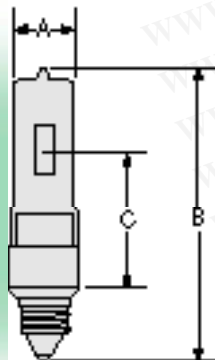
TUNGSTEN HALOGEN LAMPS • SINGLE ENDED SCREW BASE

JCV SERIES

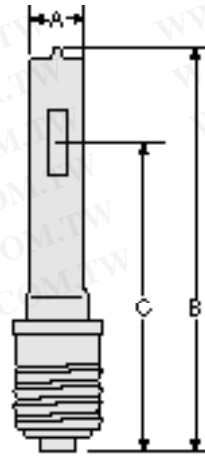
- Only for Use in Approved Enclosed Halogen Fixtures
- Minican Screw Base - E11
Mogul Screw Base - E39
- 120 Volts (except as noted)

胜特力材料 886-3-5753170
 胜特力电子(上海) 86-21-54151736
 胜特力电子(深圳) 86-755-83298787
[Http://www.100y.com.tw](http://www.100y.com.tw)

Watts	Ushio Ordering Code	Ushio Lamp Code	Dimensions mm			Filament Type	Approx Lumens lm	Color Temp K	Avg Life h	Bulb Finish
			Dia (A)	OAL (B)	LCL (C)					
Mini Candelabra Base – E11										
325	1000295	EHV, JCV120V-325WBS	13.0	80.0	41.0	CC-8	7800	3100	500	Clear
400	1000976	JCV120V-400WGSN	13.0	92.0	51.0	CC-8	8250	2950	2000	Clear
400	1000977	JCV120V-400WGSNF	13.0	92.0	51.0	CC-8	7850	2950	2000	Frosted
500	1000384	EVR, JCV120V-500WGS	13.0	92.0	51.0	CC-8	10450	2950	2000	Clear
500	1000466	EYX, JCV120V-500WGSF	13.0	92.0	51.0	CC-8	9500	3000	2000	Frosted
500	1000465	EYW, JCV130V-500WGS	13.0	92.0	51.0	CC-8	10000	3000	2000	Clear
500	1000464	EYV, JCV130V-500WGSF	13.0	92.0	51.0	CC-8	9500	3000	2000	Frosted
500	1000995	JCV230V-500WGS	13.0	92.0	50.8	CC-8	9000	2950	2000	Clear
750	1000463	EYT, JCV120V-750WB1	13.0	95.0	51.0	CC-8	18500	3050	500	Clear
1000	1000967	JCV120V-1000WC3	13.5	100.0	51.0	CC-8	26000	3200	300	Clear
Mogul Screw Base – E39										
2000	1000095	BWF, JCV120V-2000W	25.0	190.5	133.4	CC-8	59000	3200	500	Clear
2000	1000096	BWG, JCV120V-2000W	25.0	190.5	133.4	CC-8	57200	3200	500	Frosted



E11



E39

TUNGSTEN HALOGEN LAMPS • SINGLE ENDED

JCV SERIES

- Only for Use in Approved Enclosed Halogen Fixtures
- Miniature 2-Pin Base - G5.3
Glass 2-Pin Base - G6.35, GX6.35

胜特力材料 886-3-5753170
 胜特力电子(上海) 86-21-54151736
 胜特力电子(深圳) 86-755-83298787
[Http://www.100y.com.tw](http://www.100y.com.tw)

Watts	Ushio Ordering Code	Ushio Lamp Code	Dimensions mm			Filament Type	Approx Lumens lm	Color Temp K	Avg Life h	Burn Position	Fig No
			Dia (A)	OAL (B)	LCL (C)						
Miniature 2-Pin Base – G5.3											
125	1000605	FSH, JCV120V-125WB	11.5	57.0	32.0	CC-8	2500	3000	200	BD/Hor	1
250	1000647	GCA, JCV120V-250WC	11.5	57.0	32.0	CC-8	5880	3200	200	BD/Hor	1
Glass 2-Pin Base – G6.35											
250	1000343	EPL, JCV30V-250WS1	10.0	50.0	24.5	CC-8	7500	3400	6	Any	2
300	1000579	FNB, JCV120V-300WC8/UA	13.5	55.0	32.0	CC-8	8100	3200	75	BD/Hor	2
Glass 2-Pin Base – GX6.35											
300	1000974	(FNS) JCV120V-300WC (64512)	16.0	57.5	30.0	CC-8	8100	3200	30	BD/Hor	3
650	1000983	JCV120V-650WC	24.0	57.5	30.0	2CC-8	1700	3200	100	BD/Hor	4
1000	1001822	JCV120V-1000WC4	23.0	67.5	38.0	2CC-8	27000	3200	100	BD/Hor	4

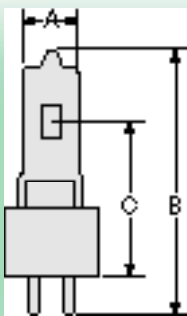


Fig.1

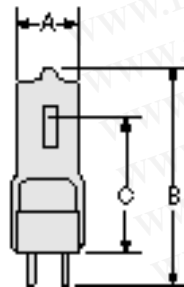


Fig.2

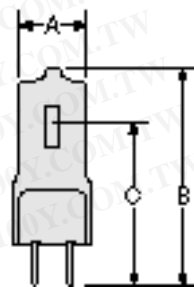


Fig.3

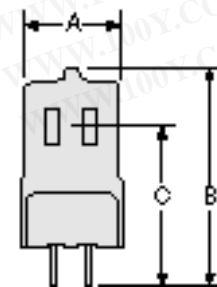


Fig.4

TUNGSTEN HALOGEN LAMPS • SINGLE ENDED

JCV SERIES

- Only for Use in Approved Enclosed Halogen Fixtures
- Medium 2-Pin Base - G9.5
Medium Prefocus 2-Pin Base - GY9.5, GZ9.5

胜特力材料 886-3-5753170
 胜特力电子(上海) 86-21-54151736
 胜特力电子(深圳) 86-755-83298787
[Http://www.100y.com.tw](http://www.100y.com.tw)

Watts	Ushio Ordering Code	Ushio Lamp Code	Dimensions mm			Filament Type	Approx Lumens lm	Color Temp K	Avg Life h	Burn Position	Fig No
			Dia (A)	OAL (B)	LCL (C)						
Medium 2-Pin Base – G9.5											
400	1003023	HX-401, JCV115V-400WBM	19.0	104.0	60.3	CC-8	8500	3050	1500	Any	1
400	1003022	HX-400, JCV115V-400WCM	19.0	104.0	60.3	CC-8	10000	3200	300	Any	1
500	1000286	EHC/EHB, JCV120V-500WCM	13.5	101.0	60.3	CC-8	12700	3200	300	Any	2
500	1000287	EHD, JCV120V-500WBH	13.5	101.0	60.3	CC-8	10000	3000	2000	Any	2
500	1001814	JCV220V-500WBM	15.0	102.0	60.3	CC-8	10500	3000	400	Any	2
500	1000997	JCV240V-500WBM	15.0	102.0	60.3	CC-8	10500	3000	400	Any	2
575	1000543	FLK, HX-600, JCV115V-575WCM	18.0	104.0	60.5	CC-8	16500	3200	300	Any	1
575	1002196	HX-601, JCV115V-575WBM	19.0	104.0	60.3	CC-8	12800	3050	1500	Any	1
700	1000998	JCV240V-700WCH	19.5	102.0	60.3	CC-8	18000	3200	350	Any	2
750	1000288	EHF, JCV120V-750WCH	15.0	104.0	60.3	CC-8	20400	3200	300	Any	2
750	1000289	EHG, JCV120V-750WBH	19.0	104.0	60.3	CC-8	15400	3000	2000	Any	2
1000	1000494	FCV, JCV120V-1000WCF	19.0	104.0	60.3	CC-8	26500	3200	300	Any	2
1000	1000509	FEL, JCV120V-1000WCH	19.0	104.0	60.3	CC-8	27500	3200	375	Any	2
1000	1000510	FEP, JCV240V-1000WCH	19.0	104.0	60.3	CC-8	25500	3200	300	Any	2
1200	1000972	JCV120V-1200WCH	22.0	104.0	60.3	CC-8	33000	3250	200	Any	2
Medium Prefocus 2-Pin Base – GY9.5											
600	1000547	FMR, JCV120V-600WGY	17.0	88.9	50.8	CC-8	12500	3000	2000	BD/Hor	3
Medium Prefocus 2-Pin Base – GZ9.5											
300	1000578	FNA, JCV120V-300WGY	16.0	88.9	50.8	CC-8	5800	3000	2000	BD/Hor	4

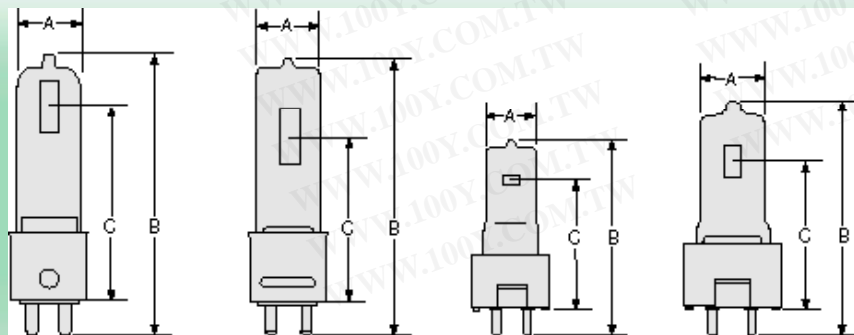


Fig.1 Fig.2 Fig.3 Fig.4

TUNGSTEN HALOGEN LAMPS • SINGLE ENDED

JCV SERIES

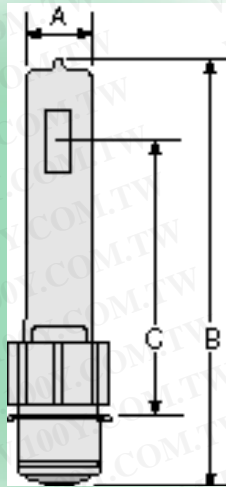
- Only for Use in Approved Enclosed Halogen Fixtures

胜特力材料 886-3-5753170
 胜特力电子(上海) 86-21-54151736
 胜特力电子(深圳) 86-755-83298787
[Http://www.100y.com.tw](http://www.100y.com.tw)



Watts	Ushio Ordering Code	Ushio Lamp Code	Dimensions mm			Filament Type	Approx Lumens lm	Color Temp K	Avg Life h	Burn Position
			Dia (A)	OAL (B)	LCL (C)					
Medium Prefocus Base – P28s										
500	1000273	EGC/EGD, JCV120V-500WC	14.0	152	88.9	CC-8	12700	3150	500	Any
500	1000274	EGE, JCV120V-500WB	14.0	152	88.9	CC-8	10450	3000	2000	Any
750	1000275	EGF, JCV120V-750WC	19.0	152	88.9	CC-8	20400	3200	500	Any
750	1000276	EGG, JCV120V-750WB	19.0	152	88.9	CC-8	15750	3000	2000	Any
1000	1000278	EGJ, JCV120V-1000WC	19.0	152	88.9	CC-8	27500	3200	500	Any
1000	1000279	EGK, JCV120V-1000WCF	19.0	152	88.9	CC-8	26500	3200	500	Any
1000	1000280	* EGM, JCV120V-1000WB	19.0	152	88.9	CC-8	21500	3000	2000	Any

* Frosted Envelope



TUNGSTEN HALOGEN LAMPS • SINGLE ENDED

JS SERIES

- Only for Use in Approved Enclosed Halogen Fixtures
- 2-Pin Base - GY16
- Bipost Base - G22



Watts	Ushio Ordering Code	Ushio Lamp Code	Dimensions mm			Filament Type	Approx Lumens lm	Color Temp K	Avg Life h	Burn Position	Fig No
			Dia (A)	OAL (B)	LCL (C)						
GY16 Base											
2000	1000631	FTM, JS220V-2000WCGY	42.0	145.0	70.0	C-13	54000	3200	400	Any	1
Medium Bipost Base – G22											
500	1000281	EGN, JS120V-500WC	23.0	117.0	63.5	C-13D	13000	3200	100	BD/Hor	2
750	1000282	EGR, JS120V-750WC (CP39)	23.0	127.0	63.5	C-13D	21000	3200	200	BD/Hor	2
1000	1000283	EGT, JS120V-1000WC (CP40)	23.0	127.0	63.5	C-13D	28500	3200	200	BD/Hor	2

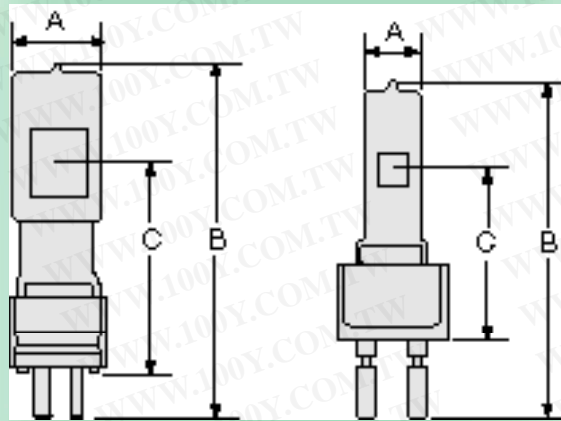


Fig.1

Fig.2

胜特力材料 886-3-5753170
 胜特力电子(上海) 86-21-54151736
 胜特力电子(深圳) 86-755-83298787
[Http://www.100y.com.tw](http://www.100y.com.tw)

TUNGSTEN HALOGEN LAMPS • SINGLE ENDED

JS SERIES

- Only for Use in Approved Enclosed Halogen Fixtures
- Mogul Bipost Base - G38
- P40s Base



Watts	Ushio Ordering Code	Ushio Lamp Code	Dimensions mm			Filament Type	Approx Lumens lm	Color Temp K	Avg Life h	Burn Position	Fig No
			Dia (A)	OAL (B)	LCL (C)						
Mogul Bipost Base – G38											
1000	1000154	CYV, JS120V-1000WC2	23.0	200.0	127.0	C-13	28500	3200	200	BD/Hor	1
1500	1000150	CXZ, JS120V-1500W	40.0	210.0	127.0	C-13	44500	3200	400	BD	2
2000	1000094	BWA, JS120V-2000W/G38	25.0	203.2	127.0	CC-8	54000	3200	500	Any	3
2000	1000155	CYX, JS120V-2000WC	40.0	210.0	127.0	C-13	59000	3200	300	BD/45	2
5000	1000215	DPY, JS120V-5000WC	60.0	268.0	165.0	C-13	145000	3200	500	BD/45	4
10000	1000222	DTY, JS120V-10000WC	80.0	391.0	254.0	C-13	285000	3200	500	BD/45	5
20000	1002288	BCM (208V) JS208V-20000W/C	100.0	550.0	354.0	C-13	580000	3200	400	BD/45	6
20000	1002165	BCM, JS225V-20000W	100.0	550.0	354.0	C-13	580000	3200	400	BD/45	6

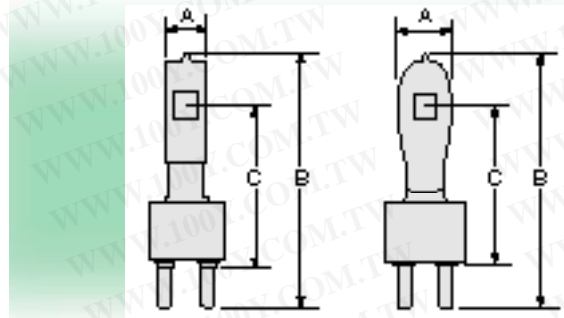


Fig.1

Fig.2

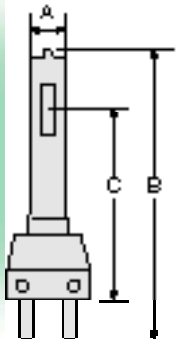


Fig.3

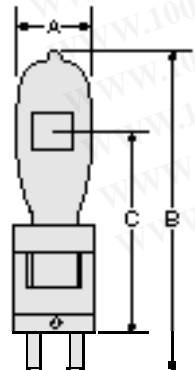


Fig.4

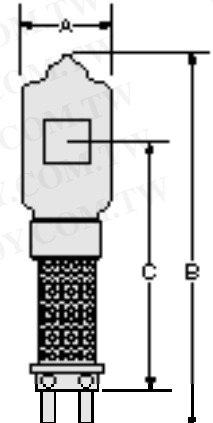


Fig.5

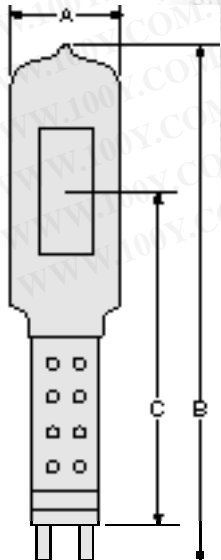


Fig.6

TUNGSTEN HALOGEN LAMPS • SINGLE ENDED
for ETC Source Four™, Source Four JR™ & Source Four PAR™

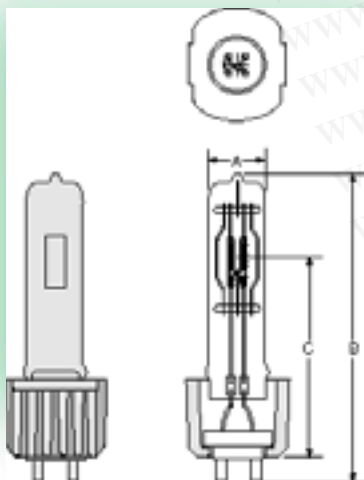
HPL SERIES

- Only for Use in Approved Enclosed Halogen Fixtures
- More Fixture Light Output Using Less Electrical Energy
- Integral Heat Sink Base
- Low Seal Temperature

胜特力材料 886-3-5753170
胜特力电子(上海) 86-21-54151736
胜特力电子(深圳) 86-755-83298787
[Http://www.100y.com.tw](http://www.100y.com.tw)

Watts	Ushio Ordering Code	Ushio Lamp Code	Description	Dimensions mm			Filament Type	Approx Lumens lm	Color Temp K	Avg Life h
				Dia (A)	OAL (B)	LCL (C)				
Heat Sink Base – 77 Volt										
550	1000668	HPL-550/77V+	JS77V-550WC	18.35	104	60.3	4-C8	16170	3250	300
550	1000669	HPL-550/77X+	JS77V-550WX	18.35	104	60.3	4-C8	12160	3050	2000
750	1000676	HPL-750/77V	JS77V-750WC	18.35	104	60.3	4-C8	22950	3250	300
115 Volt										
375	1000666	HPL-375/115V+	JS115V-375WC	18.35	104	60.3	4-C8	10540	3250	300
375	1000667	HPL-375/115X+	JS115V-375WX	18.35	104	60.3	4-C8	8000	3050	1000
575	1000670	HPL-575/115V+	JS115V-575WC	18.35	104	60.3	4-C8	16520	3250	300
575	1000671	HPL-575/115X+	JS115V-575WX	18.35	104	60.3	4-C8	12360	3000	2000
750	1000675	HPL-750/115V+	JS115V-750WC	18.35	104	60.3	4-C8	21900	3250	300
750	1003153	HPL-750/115X+	JS115V-750WX	18.35	104	60.3	4-C8	16400	3050	1500
120 Volt										
575	1000672	HPL-575/120V+	JS120V-575WC	18.35	104	60.3	4-C8	16520	3250	300
575	1002283	HPL-575/120X+	JS120V575WX	18.35	104	60.3	4-C8	12360	3050	2000
750	1003144	HPL-750/120V+	JS120V-750WC	18.35	104	60.3	4-C8	21900	3250	300
750	1003178	HPL-750/120X+	JS120V-750WX	18.35	104	60.3	4-C8	16400	3050	1500
230 Volt										
375	1003182	HPL-375/230X+	JS230V-375WXN	18.35	104	60.3	6-C8	7250	3000	1000
575	1000673	HPL-575/230V+	JS230V-575WCN	18.35	104	60.3	6-C8	14900	3200	400
575	1002233	HPL-575/230X+	JS230V-575WXN	18.35	104	60.3	6-C8	11780	3050	1500
750	1002289	HPL-750/230V+	JS230V-750WCN	18.35	104	60.3	6-C8	19750	3200	300
750	1003179	HPL-750/230X+	JS230V-750WXN	18.35	104	60.3	6-C8	15600	3050	1500
240 Volt										
375	1003183	HPL-375/240X+	JS240V-375WXN	18.35	104	60.3	6-C8	7250	3000	1000
575	1000674	HPL-575/240V+	JS240V-575WCN	18.35	104	60.3	6-C8	14900	3050	400
575	1002234	HPL-575/240X+	JS240V-575WXN	18.35	104	60.3	6-C8	11780	3050	1500
750	1003184	HPL-750/240V+	JS240V-750WCN	18.35	104	60.3	6-C8	19750	3200	300
750	1003180	HPL-750/240X+	JS240V-750WXN	18.35	104	60.3	6-C8	15600	3050	1500

Top View



“Licensed under U.S. Patent #RE36316 claims 9-12 and 16-17 only; Canadian Patent #2,103,358; European Patent #592589 & #969496. No other licenses expressed or implied.”



TUNGSTEN HALOGEN LAMPS • SINGLE ENDED

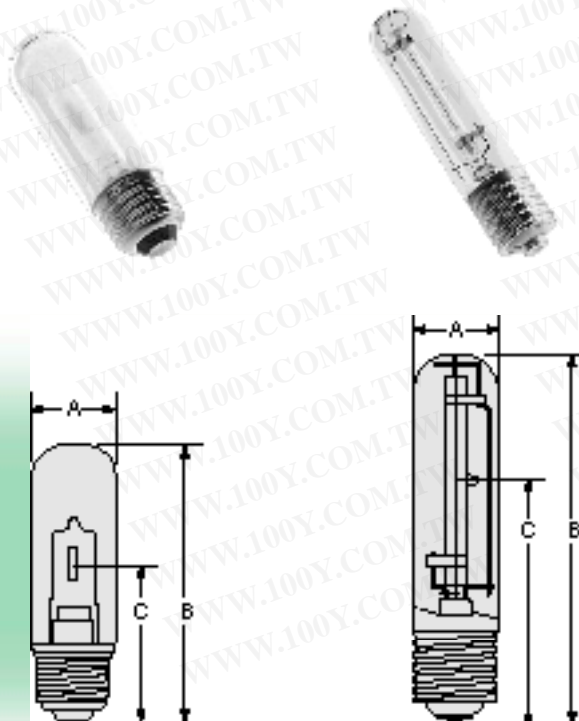
JT SERIES

- Only for Use in Approved Enclosed Halogen Fixtures
- Medium & Mogul Screw Base
- Double Envelope
- 120 Volt
- Operate in Any Position

胜特力材料 886-3-5753170
 胜特力电子(上海) 86-21-54151736
 胜特力电子(深圳) 86-755-83298787
[Http://www.100y.com.tw](http://www.100y.com.tw)

Watts	Ushio Ordering Code	Ushio Lamp Code	Dimensions mm			Filament Type	Approx Lumens lm	Color Temp K	Avg Life h	Bulb Finish
			Dia (A)	OAL (B)	LCL (C)					
Medium Screw Base – E26 Compact Version										
75	1001156	JT120V-75WG	31.0	85.0	51.0	CC-8	1200	2800	1000	Clear
100	1001137	JT120V-100WG	31.0	85.0	51.0	CC-8	1600	2800	1500	Clear
100	1001140	JT120V-100WGF	31.0	85.0	54.0	CC-8	1552	2800	1500	Frosted
150	1001883	JT120V-150WG	31.0	85.0	54.0	CC-8	2800	2800	2000	Clear
250	1001141	JT120V-250WG	31.0	105.0	58.0	CC-8	5000	2950	2000	Clear
250	1001142	JT120V-250WGF	31.0	105.0	58.0	CC-8	4850	2950	2000	Frosted
Mogul Screw Base – E39										
500	1001143	JT120V-500WB	40.0	193.0	123.0	C-8	11000	3200	2000	Clear
1000	1001134	JT120V-1000WB	42.0	260.0	157.0	C-8	22000	3050	2000	Clear
Mogul Screw Base – E40										
500	1003361	JT120V-1000WC/E40	42.0	195.0	123.0	C-8	25000	3200	150	Clear
500	1001173	JT240V-500WB	42.0	193.0	123.0	C-8	9500	3200	2000	Clear
1000	1001889	JT240V-1000WB	42.0	260.0	175.0	C-8	21500	3400	2000	Clear

JT type Halogen lamps are double enveloped lamps in which a Halogen lamp serves as an inner tube.



E26- Clear or Frosted
Compact Version

E39 and E40

TUNGSTEN HALOGEN LAMPS • MR-8 REFLECTOR

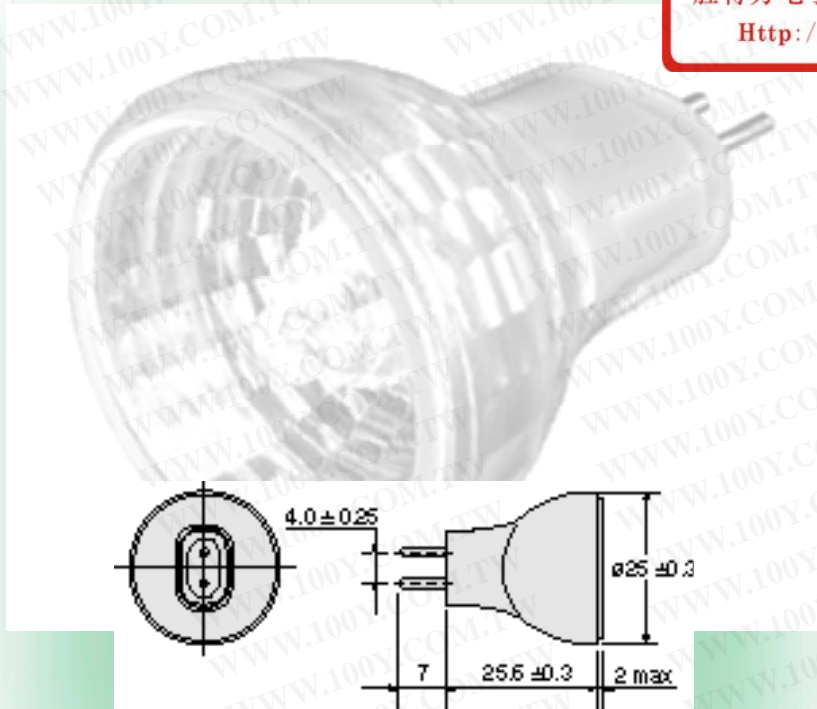
MR-8 SERIES

- Only for Use in Approved Halogen Fixtures
- 25mm, Dichroic Coating, Faceted Mirror Reflector
- Miniature 2-Pin
- Low Voltage - 12 Volt
- Operate in Any Position



Watts	Ushio Ordering Code	Ushio Lamp Code	Dimensions OAL mm	Color Temp K	Beam		Ave Life h
					Angle	Spread Max CP cd	
Miniature 2-Pin Base – GZ4 with Front Glass Cover							
20	1003116	MR-8 12V-20W/NSP10/FG	34.6	3050	10°	Narrow Spot 1700	2000
20	1003117	MR-8 12V-20W/NFL23/FG	34.6	3050	23°	Narrow Flood 800	2000
35	1003118	MR-8 12V-35W/SP13/FG	34.6	3050	13°	Spot 2300	2000
35	1003119	MR-8 12V-35W/NFL26/FG	34.6	3050	26°	Narrow Flood 1400	2000

胜特力材料 886-3-5753170
 胜特力电子(上海) 86-21-54151736
 胜特力电子(深圳) 86-755-83298787
[Http://www.100y.com.tw](http://www.100y.com.tw)



GZ4

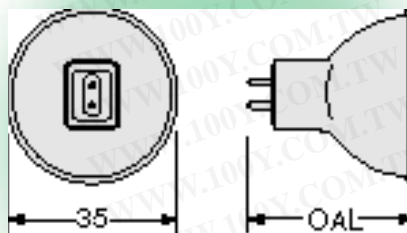
TUNGSTEN HALOGEN LAMPS • MR-11 REFLECTOR

MR-11 SERIES

- Only for Use in Approved Halogen Fixtures
- 35mm, Dichroic Coating, Faceted Mirror Reflector
- Miniature 2-Pin Base
- 12 & 24 Volt
- Operate in Any Position
- Available with Front Glass Cover (FG)



Watts	Ushio Ordering Code	Ushio Lamp Code	Dimensions		Color Temp K	Beam		Ave Life h
			OAL mm	Angle		Spread	Max CP cd	
Miniature 2-Pin Base – GZ4								
12	1000615	FTA, JDR/M12V-12W/G/NSP9.5	35.0	2925	9.5°	Narrow Spot	2300	2000
12	1000616	FTA/FG, JDR/M12V-12W/G/NSP9.5/FG	35.0	2925	9.5°	Narrow Spot	2300	2000
20	1000617	FTB, JDR/M12V-20W/G/SP10	35.0	2925	10°	Spot	3000	2000
20	1000618	FTB/FG, JDR/M12V-20W/G/SP10/FG	35.0	2925	10°	Spot	3000	2000
20	1000619	FTC, JDR/M12V-20W/G/SP17	35.0	2925	17°	Spot	1400	2000
20	1000620	FTC/FG, JDR/M12V-20W/G/SP17/FG	35.0	2925	17°	Spot	1400	2000
20	1001843	JDR/M12V-20W/G/SP16/FG	35.0	3450	16°	Spot	2000	250
20	1000621	FTD, JDR/M12V-20W/G/FL30	35.0	2925	30°	Flood	600	2000
20	1000622	FTD/FG, JDR/M12V-20W/G/FL30/FG	35.0	2925	30°	Flood	600	2000
35	1000623	FTE, JDR/M12V-35W/G/SP12	35.0	2950	12°	Spot	4800	2000
35	1000624	FTE/FG, JDR/M12V-35W/G/SP12/FG	35.0	2950	12°	Spot	4800	2000
35	1000625	FTF, JDR/M12V-35W/G/SP20	35.0	2950	20°	Spot	2400	2000
35	1000626	FTF/FG, JDR/M12V-35W/G/SP20/FG	35.0	2950	20°	Spot	2400	2000
35	1000627	FTH, JDR/M12V-35W/G/FL30	35.0	2950	30°	Flood	1300	2000
35	1000628	FTH/FG, JDR/M12V-35W/G/FL30/FG	35.0	2950	30°	Flood	1300	2000
24 Volt, Miniature 2-Pin Base – GZ4								
20	1001001	JDR/M24V-20W/SP12	35.0	2925	12°	Spot	2200	2000
20	1001002	JDR/M24V-20W/SP12/FG	35.0	2925	12°	Spot	2200	2000
20	1000999	JDR/M24V-20W/SP19	35.0	2925	19°	Spot	1150	2000
20	1001000	JDR/M24V-20W/SP19/FG	35.0	2925	19°	Spot	1150	2000
20	1001003	JDR/M24V-20W/FL30	35.0	2925	30°	Flood	500	2000
20	1001004	JDR/M24V-20W/FL30/FG	35.0	2925	30°	Flood	500	2000
35	1001007	JDR/M24V-35W/SP13	35.0	2925	13°	Spot	2100	2000
35	1001008	JDR/M24V-35W/SP13/FG	35.0	2925	13°	Spot	2100	2000
35	1001005	JDR/M24-35W/SP19	35.0	2925	19°	Spot	1700	2000
35	1001010	JDR/M24V-35W/FL30/FG	35.0	2925	30°	Flood	1700	2000



GZ4

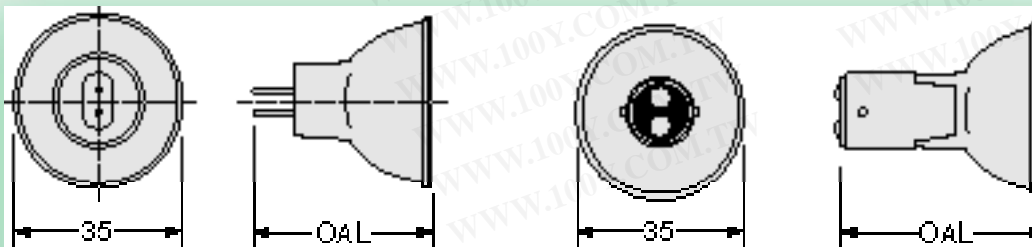
胜特力材料 886-3-5753170
 胜特力电子(上海) 86-21-54151736
 胜特力电子(深圳) 86-755-83298787
[Http://www.100y.com.tw](http://www.100y.com.tw)

TUNGSTEN HALOGEN LAMPS • MR-11 REFLECTOR

MR-11 SERIES

- Only for Use in Approved Enclosed Halogen Fixtures
- Miniature 2-Pin & DC Bayonet Base
- Low Voltage - 12 Volt
- Operate in Any Position
- Faceted (except as noted)

Watts	Ushio Ordering Code	Ushio Lamp Code	Reflector Type	Dimensions		Filament Type	Color Temp K	Beam		Ave Life h
				OAL mm				Angle	Spread	
Miniature 2-Pin Base – GZ4										
10	1000931	JCR/M6V-10WN/FG		40.8		C-6	3050	8.5°	Narrow Spot	200
25	1000544	FLT, JCR/M13.8V-25W	Specular	35.0		CC-6	3100	—	—	500
20	1000934	JCR/M6V-20W		33.3		C-6	3200	20°	Spot	50
35	1000930	JCR/M14V-35W		36.0		C-6	—	—	—	50
50	1000926	JCR/M12V-50W		35.0		C-8	—	—	—	50
75	1000929	JCR/M12V-75W/HO	Specular	35.0		C-8	—	—	—	50
100	1000921	JCR/M12V-100W	Specular	37.0		C-8	3400	—	—	25
Double Contact Bayonet Base – BA15d										
20	1000607	FSS, JDR/M12V-20W/BA/NSP10		42.0		C-6	2900	10°	Narrow Spot	2000
20	1000608	FSS/FG, JDR/M12V-20W/BA/NSP10/FG		46.5		C-6	2900	10°	Narrow Spot	2000
20	1000609	FST, JDR/M12V-20W/BA/SP17		42.0		C-6	2900	17°	Spot	2000
20	1000610	FST/FG, JDR/M12V-20W/BA/SP17/FG		46.5		C-6	2900	17°	Spot	2000
20	1000611	FSV, JDR/M12V-20W/BA/FL30		42.0		C-6	2900	30°	Flood	2000
20	1000612	FSV/FG, JDR/M12V-20W/BA/FL30/FG		46.5		C-6	2900	30°	Flood	2000
35	1000655	GDX, JDR/M12V-35W/BA/SP10		42.0		C-6	2900	10°	Narrow Spot	2000
35	1000656	GDX/FG, JDR/M12V-35W/BA/SP10/FG		46.5		C-6	2900	10°	Narrow Spot	2000
35	1000657	GDY, JDR/M12V-35W/BA/SP20		42.0		C-6	3000	20°	Spot	2000
35	1000658	GDY/FG, JDR/M12V-35W/BA/SP20/FG		46.5		C-6	3000	20°	Spot	2000
35	1000659	GDZ, JDR/M12V-35W/BA/FL30		42.0		C-6	2950	30°	Flood	2000
35	1000660	GDZ/FG, JDR/M12V-35W/BA/FL30/FG		46.5		C-6	2950	30°	Flood	2000



GZ4

BA15d
with front glass cover

TUNGSTEN HALOGEN LAMPS • MR-13 REFLECTOR

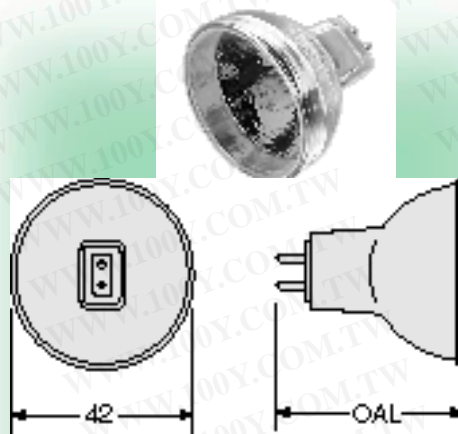
胜特力材料 886-3-5753170
 胜特力电子(上海) 86-21-54151736
 胜特力电子(深圳) 86-755-83298787
[Http://www.100y.com.tw](http://www.100y.com.tw)

JCR SERIES

- Only for Use in Approved Enclosed Halogen Fixtures
- 2-Pin Base
- 42mm Dichroic Coated Reflector
- Operate Base Down to Horizontal
- Focused Beam for Optical Application

Watts	Ushio Ordering Code	Ushio Lamp Code	Dimensions	Reflector Type	Filament Type	Working Distance mm	Center Screen Illuminance lx	Color Temp K	Avg Life h	Burn Position
			OAL mm							
2-Pin Base – GX5.3 MR-13 Reflector										
250	1000423	EXY, JCR82V-250W	44.5	Stippled	CC-8	152.4	610	3250	250	BD/Hor
300	1000414	EXR, JCR82V-300W	44.5	Stippled	CC-8	152.4	1100	3350	35	BD/Hor
300	1000421	EXW, JCR82V-300W	44.5	Stippled	CC-8	152.4	1200	3400	15	BD/Hor
300	1000535	FHS, JCR82V-300W	44.5	Stippled	CC-8	152.4	1000	3300	70	BD/Hor

Center Screen Illuminance - Approximate value for reference only



GX5.3

TUNGSTEN HALOGEN LAMPS • MR-16 REFLECTOR

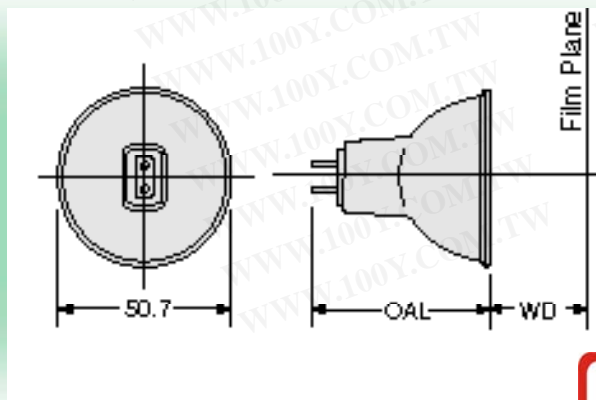
JCR SERIES

- Focused Beam for Optical Applications
- Only for Use in Approved Enclosed Halogen Fixtures
- 2-Pin Base
- 50mm Dichroic Coated Reflector
- Operate Base Down to Horizontal



Watts	Ushio Ordering Code	Ushio Lamp Code	Dimensions	Reflector Type	Filament Type	Working Distance mm	Luminous Intensity cd	Center Screen Illuminance lx	Color Temp K	Avg Life h	Burn Position
			OAL mm								
2-Pin Base – GX5.3 Base											
30	1000315	EKZ, JCR10.8V-30W	44.5	Specular	CC-6	38.1	—	400	3100	200	BD/Hor
35	1000344	EPN, JCR12V-35W	44.5	Specular	C-6	9.0	—	350	3300	50	BD/Hor
42	1000346	EPT, JCR10.8V-42W	44.5	Faceted	CC-6	38.1	—	250	2900	8000	BD/Hor
50	1000335	ENL, JCR12V-50W	44.5	Faceted	C-6	38.1	2000	—	3000	4000	Any
50	1000546	FML, JCR13.8V-50W	44.5	Faceted	CC-6	214.3	—	230	3150	1000	Any
50	1000197	DJT, JCR13.8V-50W	44.5	Faceted	CC-6	152.0	—	538	3150	1000	BD/Hor
50	1000339	ENZ, JCR30V-50W	44.5	Specular	CC-6	29.0	—	650	3400	25	BD/Hor
80	1000303	EJY, JCR19V-80W	44.5	Specular	CC-6	38.1	—	—	3400	25	BD/Hor
80	1000307	EKG, JCR19V-80W	44.5	Specular	CC-6	44.5	—	700	3400	25	BD/Hor
80	1000336	ENW/ENC, JCR19V-80W	44.5	Specular	CC-6	44.5	—	600	3200	400	BD/Hor
80	1000174	DDM, JCR19V-80W	44.5	Faceted	CC-6	152.4	—	680	3350	50	BD/Hor
80	1000177	DDS, JCR21V-80W	44.5	Faceted	CC-6	165.0	—	646	3125	500	BD/Hor
80	1000312	EKP, JCR30V-80W	44.5	Faceted	CC-6	44.5	—	750	3400	25	BD/Hor
80	1000317	ELB, JCR30V-80W	44.5	Specular	CC-6	29.0	—	900	3400	15	BD/Hor
85	1000180	DED, JCR13.8V-85W	44.5	Specular	C-8	165.0	—	1000	3150	1000	BD/Hor
90	1000347	EPV, JCR14.5V-90W	44.5	Stippled	CC-6	155.2	—	1345	3150	500	BD/Hor
90	1000349	EPX, JCR14.5V-90W	44.5	Stippled	CC-6	165.1	—	538	3150	500	BD/Hor
100	1000326	EMC, JCR12V-100W	44.5	Faceted	CC-6	26.5	—	—	3200	200	BD/Hor
100	1001630	EMC/14, JCR13.8V-100W	44.5	Faceted	CC-6	142.0	19000	—	3200	200	BD/Hor
100	1000420	EXV, JCR12V-100W	44.5	Faceted	C-6	—	4500	—	3350	50	BD/Hor
120	1000311	EKN, JCR17.7V-120W	44.5	Specular	CC-6	38.1	—	1000	3200	120	BD/Hor

Center Screen Illuminance - Approximate value for reference only



GX5.3

胜特力材料 886-3-5753170
 胜特力电子(上海) 86-21-54151736
 胜特力电子(深圳) 86-755-83298787
[Http://www.100y.com.tw](http://www.100y.com.tw)

TUNGSTEN HALOGEN LAMPS • MR-16 REFLECTOR

JCR SERIES

- Focused Beam for Optical Applications
 - Only for Use in Approved Enclosed Halogen Fixtures
 - 2-Pin Base
 - 50mm Dichroic Coated Reflector
- Operate Base Down to Horizontal

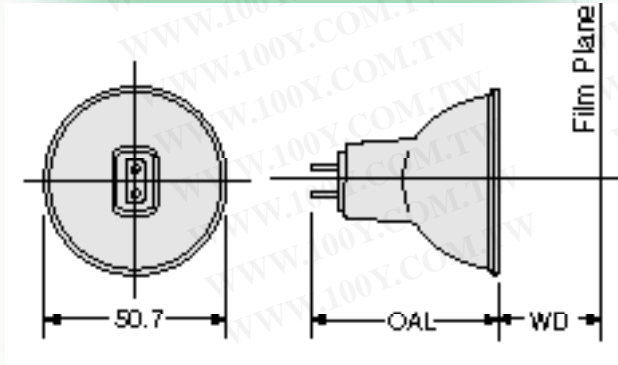


Watts	Ushio Ordering Code	Ushio Lamp Code	Dimensions	Reflector Type	Filament Type	Working Distance mm	Luminous Intensity cd	Center Screen Illuminance lx	Color Temp K	Avg Life h	Burn Position
			OAL mm								
2-Pin Base – GX5.3 MR-16 Reflector											
150	1000173	DDL, JCR20V-150W	44.5	Faceted	CC-6	194.5	—	400	3150	500	BD/Hor
150	1000297	EJA, JCR21V-150W	44.5	Specular	CC-6	28.0	—	—	3400	40	BD/Hor
150	1000301	EJM, JCR21V-150W	44.5	Specular	CC-6	38.1	—	—	3400	40	BD/Hor
150	1000302	EJV, JCR21V-150W	44.5	Specular	CC-6	44.5	—	1500	3400	40	BD/Hor
150	1000306	EKE, JCR21V-150W	44.5	Specular	CC-6	44.5	—	900	3250	200	BD/Hor
150	1000319	ELD/EJN, JCR21V-150W	44.5	Stippled	CC-6	50.8	—	320	3400	40	BD/Hor
150	1002247	ELD/K, JCR21V-150W	44.5	Stippled	CC-6	165.0	—	—	3400	40	BD/Hor
200	1000300	EJL, JCR24V-200W	44.5	Specular	CC-6	31.7	—	1100	3400	50	BD/Hor
200	1000314	EKX, JCR24V-200W	44.5	Stippled	CC-6	139.7	—	—	3400	25	BD/Hor
225	1003034	EZF/K, JCR69V-225W	44.5	Faceted	CC-8	152.4	—	500	—	500	BD/Hor
250	1000318	ELC, JCR24V-250W	44.5	Specular	CC-6	31.7	—	1500	3400	50	BD/Hor
250	1003106	ELC-3, JCR24V-250W	44.5	Specular	CC-6	31.8	—	960	3400	300	BD/Hor
250	1003264	ELC-5, JCR24V-250W	44.5	Specular	CC-6	31.8	—	960	3400	500	BD/Hor
250	1001037	ELC/C, JER24V-250W	44.5	Specular	CC-6	31.8	—	800	3400	50	BD/Hor
340	1000353	ERV, JCR36V-340W	44.5	Faceted	CC-8	298.5	—	—	3300	75	BD/Hor

Center Screen Illuminance - Approximate value for reference only



胜特力材料 886-3-5753170
 胜特力电子(上海) 86-21-54151736
 胜特力电子(深圳) 86-755-83298787
[Http://www.100y.com.tw](http://www.100y.com.tw)



GX5.3

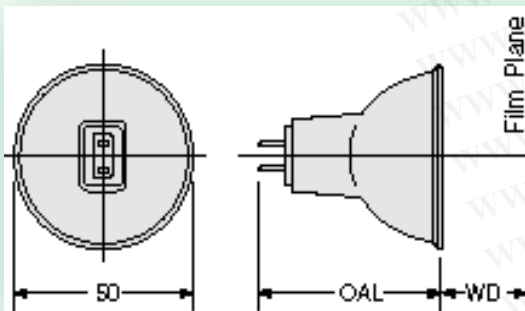
TUNGSTEN HALOGEN LAMPS • MR-16 REFLECTOR

JCR SERIES

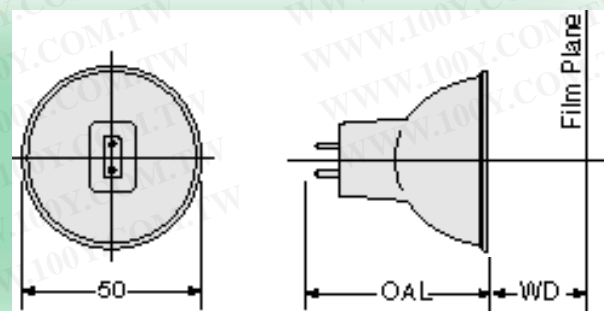
- Focused Beam for Optical Applications
- Only for Use in Approved Enclosed Halogen Fixtures
- Oval 2-Pin Base - GY5.3, 2-Pin Base - GZ6.35
- 50mm Dichroic Coated Reflector
- Operate Base Down to Horizontal



Watts	Ushio Ordering Code	Ushio Lamp Code	Dimensions		Reflector Type	Filament Type	Working Distance mm	Color Temp K	Avg Life h	Burn Position
			Dia mm	OAL mm						
Oval 2-Pin Base – GY5.3										
85	1000357	ESH, JCR82V-85W	50.67	44.5	Stippled	CC-8	152.0	2950	250	BD/Hor
85	1000358	ESJ, JER82V-85W	50.67	44.5	Specular	CC-8	32.0	3350	40	BD/Hor
150	1000356	ESD, JCR120V-150W	50.67	44.5	Stippled	CC-8	44.5	3350	12	BD/Hor
150	1000940	JCR120V-150W/B	50.67	44.5	Stippled	CC-8	—	3050	100	BD/Hor
200	1000441	EYA, JCR82V-200W	50.67	44.5	Faceted	CC-8	38.1	3300	50	BD/Hor
250	1000386	EVW, JCR82V-250W	50.67	44.5	Faceted	CC-8	298.5	3300	50	BD/Hor
250	1000333	ENH, JCR120V-250W	50.67	44.5	Faceted	CC-8	152.4	3250	175	BD/Hor
250	1000379	ETJ, JCR120V-250W	50.67	44.5	Specular	CC-8	36.5	3250	175	BD/Hor
250	1000422	EXX, JCR120V-250W	50.67	44.5	Stippled	CC-8	298.5	3300	75	BD/Hor
300	1000332	ENG, JCR120V-300W	50.67	44.5	Stippled	CC-8	152.4	3450	15	BD/Hor
300	1000458	EYK, JCR120V-300W	50.67	44.5	Specular	CC-8	31.7	3300	60	BD/Hor
300	1000321	ELH, JCR120V-300W	50.67	44.5	Stippled	CC-8	154.3	3350	35	BD/Hor
300	1003020	ELH-5, JCR125V-300W	50.67	44.5	Stippled	CC-8	152.4	3350	35	BD/Hor
360	1000542	FLE, JCR82V-360W U/D	50.00	44.5	Faceted	CC-8	209.6	3300	75	BD/Hor
360	1000337	ENX, JCR82V-360W	50.67	44.5	Faceted	CC-8	298.5	3300	75	BD/Hor
360	1000338	ENX-5, JCR86V-360W	50.67	44.5	Faceted	CC-8	298.5	3300	75	BD/Hor
350	1000348	EPW, JCR100V-360W	50.67	44.5	Stippled	CC-8	298.5	3300	75	BD/Hor
410	1000636	FXL, JCR82V-410W	50.67	44.5	Faceted	CC-8	298.5	3300	75	BD/Hor
2-Pin Base – GZ6.35										
55	1000945	JCR9.5V-55W	50.0	42.0	Specular	C-8	—	3000	1500	BD/Hor
75	1000270	EFN, JCR12V-75W	50.0	42.0	Specular	C-6	32.0	3400	50	BD/Hor
100	1003003	JCR12V-100W/H10	50.0	42.0	Specular	C-8	36.0	3100	1000	BD/Hor
100	1000941	JCR12V-100WB/XX	50.0	44.5	Specular	C-6	32.0	3100	1000	BD/Hor
100	1000271	EFP, JCR12V-100W	50.0	42.0	Specular	C-6	32.0	3400	50	BD/Hor
150	1000272	EFR, JCR15V-150W	50.0	42.0	Specular	C-8	32.0	3400	50	BD/Hor



GY5.3



GZ6.35

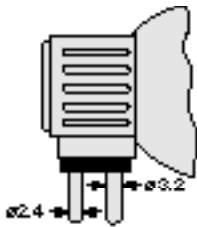
TUNGSTEN HALOGEN LAMPS • MR-14 AND MR-18 REFLECTOR

JCR SERIES

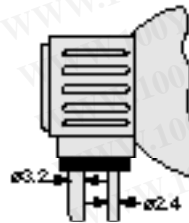
- Only for Use in Approved Enclosed Halogen Fixtures
- Operate in Horizontal Position
- 2-Pin Vented Base - G7.9
- 2-Pin Vented Base - GX7.9
- 45mm and 57mm Dichroic Coated Reflector

胜特力材料 886-3-5753170
 胜特力电子(上海) 86-21-54151736
 胜特力电子(深圳) 86-755-83298787
[Http://www.100y.com.tw](http://www.100y.com.tw)

Watts	Ushio Ordering Code	Ushio Lamp Code	Dimensions mm			Reflector Type	Filament Type	Working Distance mm	Color Temp K	Avg Life h	Burn Position
			Dia (A)	OAL (B)	Ref. (C)						
MR-14 & MR-18, 2-Pin Vented Base – G7.9 Line Voltage											
150	1000206	DNE, JCR120V-150W	57.2	49.9	15.9	Specular	CC-8	69.1	3350	12	Horiz
250	1000057	BHB, JCR120V-250W	44.5	47.5	15.9	Specular	CC-8	65.8	3400	50	Horiz
MR-14 & MR-18, 2-Pin Vented Base – GX7.9 Low Voltage											
150	1000207	DNF, JCR21V-150W	57.2	45.1	15.9	Specular	CC-6	69.1	3400	25	Horiz
150	1000325	ELZ, JCR21V-150W	57.2	45.1	15.9	Specular	CC-6	69.1	3350	60	Horiz



G7.9



GX7.9

