

## ULTRA FAST GLASS PASSIVATED RECTIFIERS

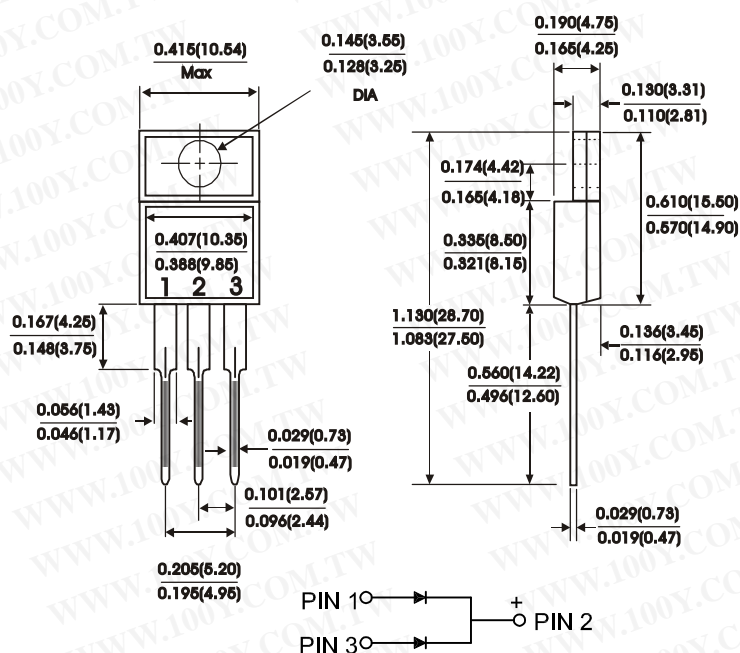
## ITO-220AB

## FEATURES:

- Plastic package has Underwriters Laboratory Flammability Classification 94V-0
- Ideally suited for freewheeling diode power factor correction applications
- Excellent high temperature switching
- Optimized to reduce switching losses
- High temperature soldering guaranteed : 250°C /10 second,0.25"(6.35mm)from case

## MECHANICAL DATA

Case : JEDEC ITO-220AB molded plastic  
 Terminals : Leads solderable per MIL-STD-750 Method 2026  
 Position : As marked  
 Mounting Position : Any  
 Mounting Torque : 5 in - lbs.max  
 Weight : 0.08 ounce,2.24grams



Dimensions in inches and (millimeters)

## MAXIMUM RATINGS AND ELECTRICAL CHARACTERISTICS

Rating at 25 °C ambient temperature unless otherwise specified.

Single phase half wave, 60 Hz resistive or inductive load.

For capacitive load, derate current by 20%.

Characteristic	Symbol	UFF 10005CT	UFF 1001CT	UFF 1002CT	UFF 1003CT	UFF 1004CT	UFF 1006CT	UFF 1008CT	Units
Maximum recurrent peak reverse voltage	$V_{RRM}$	50	100	200	300	400	600	800	Volts
Maximum RMS voltage	$V_{RMS}$	35	70	140	210	280	280	560	Volts
Maximum DC blocking voltage	$V_{DC}$	50	100	200	300	400	600	800	Volts
Maximum average forward rectified current at $T_c=100^\circ\text{C}$	$I_{(AV)}$	10.0							Amps
Peak forward surge current 8.3ms single half sine-wave superimposed on rated load (JEDEC Method)(Per leg)	$I_{FSM}$	100							Amps
Maximum instantaneous forward voltage (Per leg) $I_F=5.0A$	$V_F$	1.0		1.30		1.70		Volts	
Maximum DC reverse current at rated DC blocking voltage (Per leg) $T_c=25^\circ\text{C}$ $T_c=125^\circ\text{C}$	$I_R$	10.0 500.0							$\mu A$
Typical reverse recovery time (Per leg)(NOTE 1)	$T_{RR}$	50					100		nS
Typical junction capacitance (Per leg)(NOTE 2)	$C_J$	50							$P_F$
Operating temperature range	$T_J$	-55to+150							$^\circ\text{C}$
Storage temperature range	$T_{Stg}$	-55to+150							$^\circ\text{C}$

## NOTES:

(1) Reverse Recovery Test CONDITION :  $I_F=0.5A, I_R=1.0A, I_{RR}=0.25A$

(2) Measured at 1MHZ and reverse Voltage of 4.0V

(3) Marking : UFF10005CT = UFF10005 (Without Marking "CT")  
 Symbol Marking

勝特力材料 886-3-5753170  
 勝特力电子(上海) 86-21-54151736  
 勝特力电子(深圳) 86-755-83298787  
[Http://www.100y.com.tw](http://www.100y.com.tw)

# RATINGS AND CHARACTERISTIC CURVES UFF1005CT THRU UFF1008CT

FIG.1 - TYPICAL FORWARD CURRENT DERATING CURVE

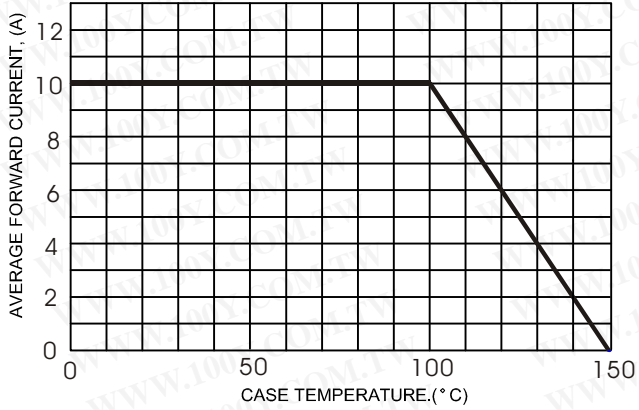


FIG.2 - TYPICAL FORWARD CHARACTERISTICS

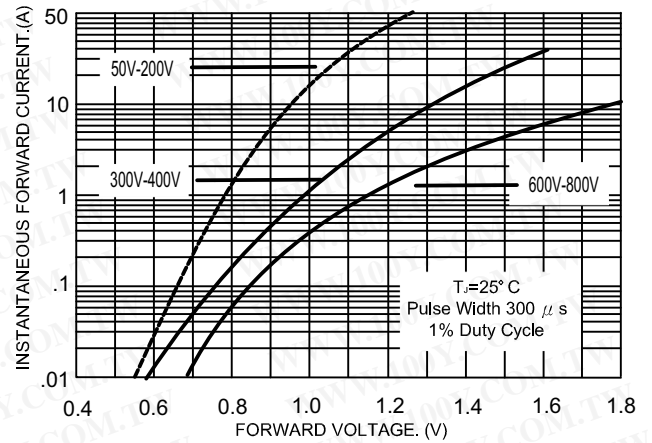


FIG.3 - MAXIMUM NON-REPETITIVE FORWARD SURGE CURRENT

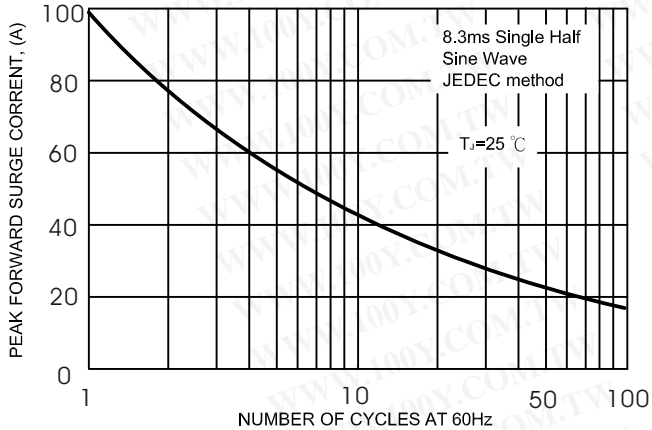


Figure 6 GR1 Test Circuit

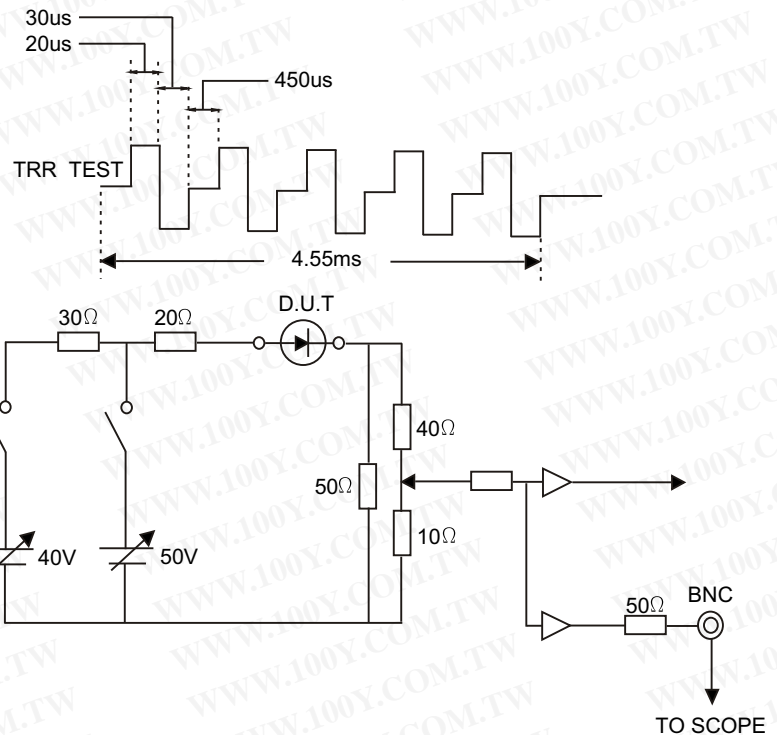


FIG.4- TYPICAL JUNCTION CAPACITANCE

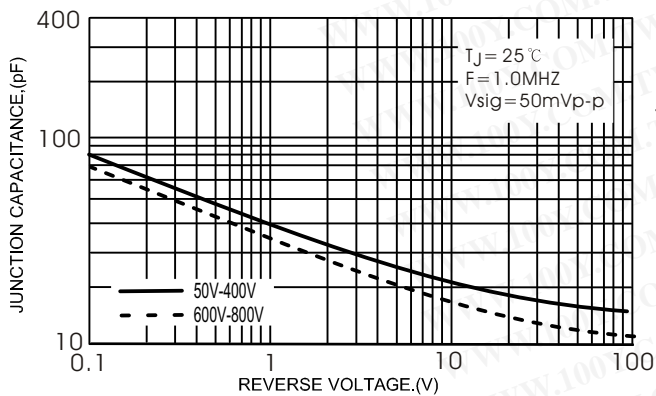
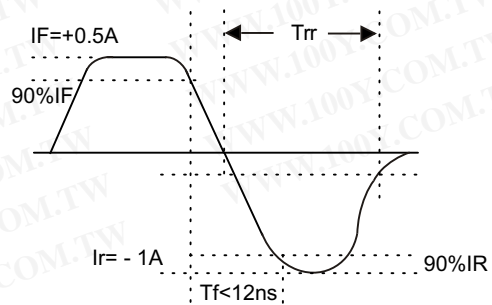
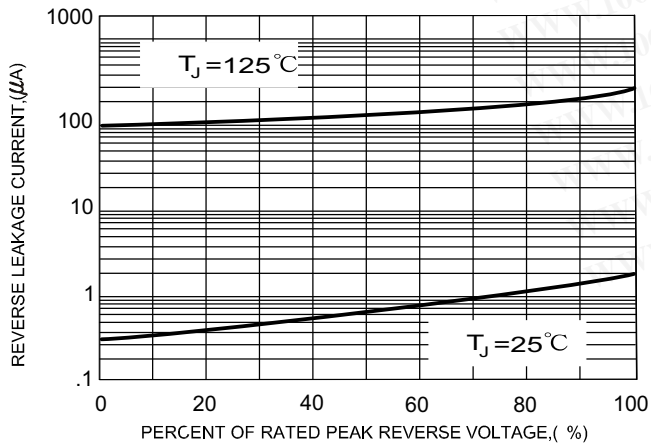


FIG.5- TYPICAL REVERSE CHARACTERISTICS



**勝特力材料 886-3-5753170**  
**勝特力电子(上海) 86-21-54151736**  
**勝特力电子(深圳) 86-755-83298787**  
[Http://www.100y.com.tw](http://www.100y.com.tw)