

勝特力材料 886-3-5753170
 勝特力电子(上海) 86-21-34970699
 勝特力电子(深圳) 86-755-83298787
 Http://www.100y.com.tw

Power Relay



Features

- High switching capacity.
- Rugged construction for tough applications.
- Within LED available, Testing button.

Order Code

BMK 2 - 12 D - L
 a b c d e

- a: Relay Model
- b: Contact Form: 2=2 Form C ; 3=3 Form C
- c: Nominal Coil Voltage
- d: D=DC ; A=AC
- e: Nil=Without LED ; L=With LED

Coil Data-Standard Type (at 20°C)

Coil Type	Nominal Voltage(V)	Coil Resistance ± 10% (ohm)	Coil Power Consumption	Max. Operate Voltage(V)	Min. Release Voltage(V)	Max. Allowable Voltage(V)
AC	6	3.9	2.5VA	80%	30%	110%
	12	16.3				
	24	70				
	48	315				
	110/120	1600				
	220/240	6800				
DC	6	23.5	1.5W	80%	10%	110%
	12	95				
	24	430				
	48	1630				
	100	6800				
	110	7300				

Contact Rating

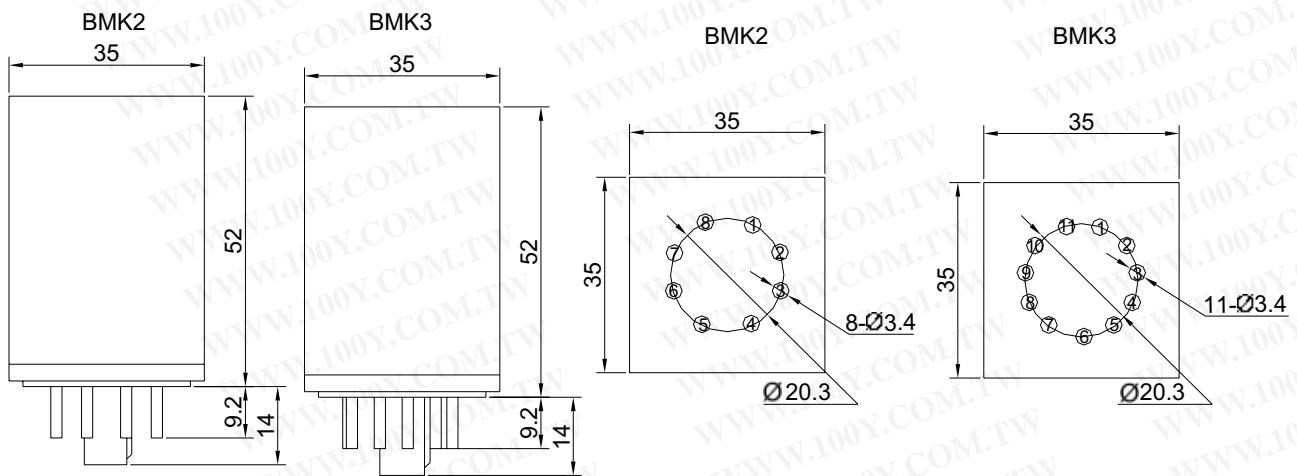
Contact Form	2 Form C	3 Form C
Contact Rating	10A 220VAC /28VDC	NO: 10A 220VAC/28VDC
		NC: 5A 220VAC/28VDC
Max. Switching Voltage	250VAC/28VDC	
Max. Switching Current	10A	
Max. Allowable Current	10A	

勝特力材料 886-3-5753170
 勝特力电子(上海) 86-21-34970699
 勝特力电子(深圳) 86-755-83298787
[Http://www.100y.com.tw](http://www.100y.com.tw)

Specification

Contact Material	Silver Alloy
Contact Resistance	Max. 50m ohm
Operate Time	30ms
Release Time	20ms
Insulation Resistance	500M ohm Min. (500VDC)
Dielectric Strength	Between Open Contacts 1000VAC (for 1 min) Between Coil to Contacts 1500VAC (for 1 min)
Vibration	10-55Hz, D.A,1.5mm
Shock Resistance	10G
Life Expectancy of Mechanical	10,000,000 ops. Min.(1800 ops/hr)
Life Expectancy of Electrical	100,000 ops. Min.
Operating Temperature	-40°C ~ +55°C
Weight	Approx. 85g

Dimensions (Unit: mm)



Wiring Diagrams (Bottom View)

