

MODEL TL-4955

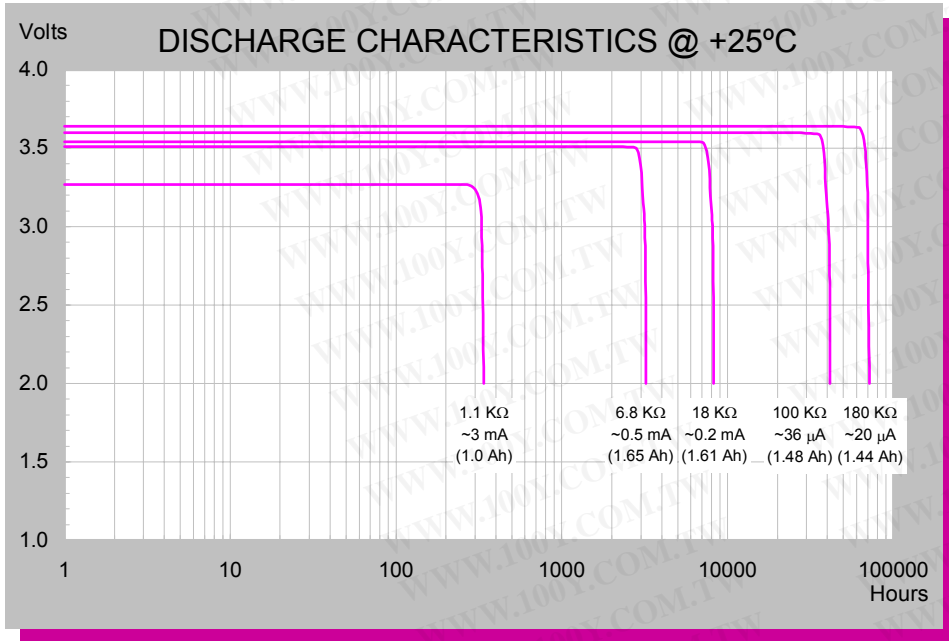
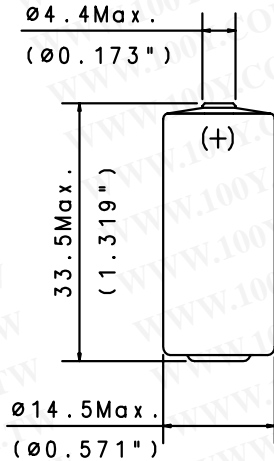
International size reference: 2/3AA, ER14335

TADIRAN LITHIUM BATTERIES

TECHNICAL DATA

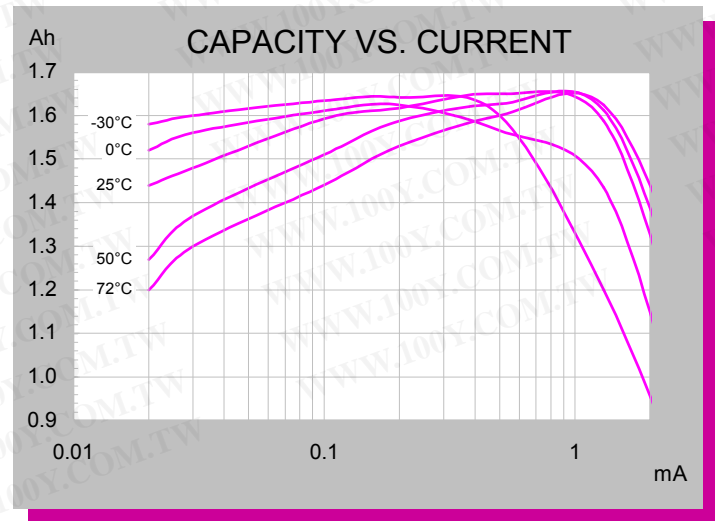
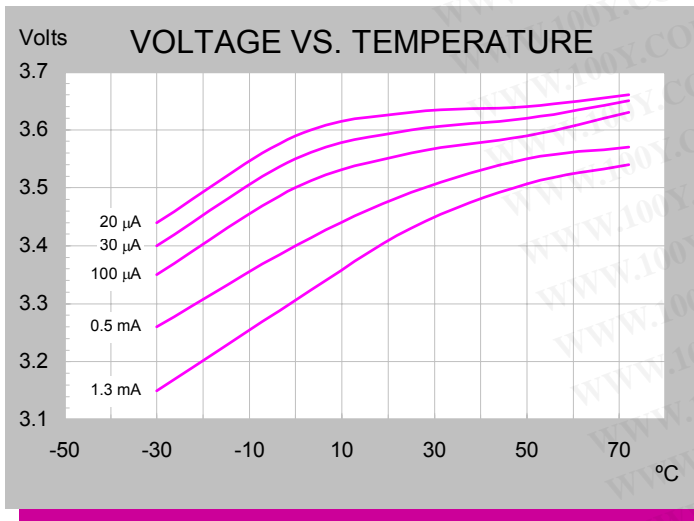
(Typical values @+25°C for batteries stored for one year or less)

| | |
|--|------------------|
| ■ Nominal capacity @ 0.5 mA, to 2V | 1.65 Ah |
| ■ Rated voltage | 3.6 V |
| ■ Maximum recommended continuous current | 35 mA |
| ■ Maximum 1 sec. pulse capability | 75 mA |
| ■ Weight | 12.4g (0.437 oz) |
| ■ Volume | 5.7 cc |
| ■ Operating temperature range | -55°C to +85°C |
| ■ U.L. Component Recognition, MH 12193 | |



AVAILABLE TERMINATIONS

| | |
|----------------------------|---------------|
| SUFFIX- /S STANDARD | 15-4955-21000 |
| SUFFIX- /T SOLDER TABS | 15-4955-31000 |
| SUFFIX- /P AXIAL PINS | 15-4955-41000 |
| SUFFIX- /PT2 RADIAL PINS | 15-4955-36000 |
| SUFFIX- /TP POLARIZED TABS | 15-4955-52000 |
| SUFFIX- /PT POLARIZED TABS | 15-4955-53000 |



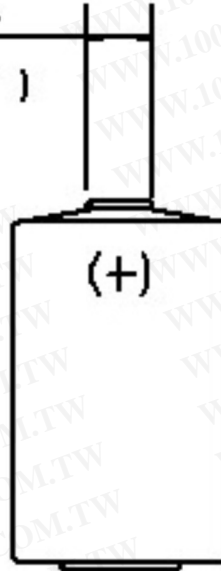
XOL - Extended Operating Life

Available Cell Terminations

S



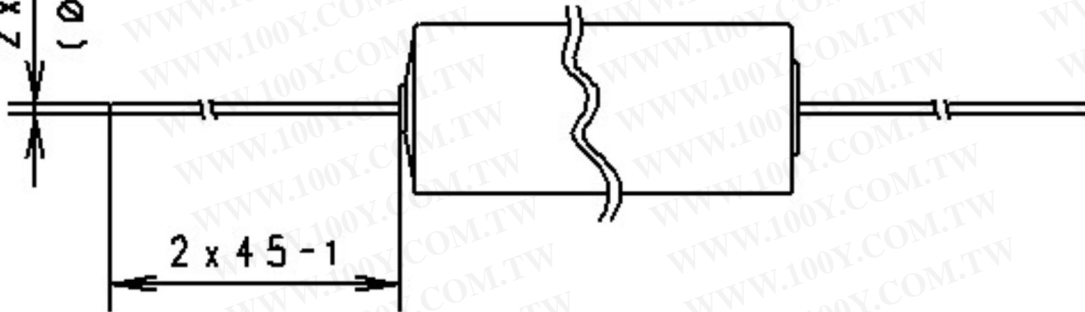
$\phi 4.4 \text{ Max.}$
($\phi 0.173''$)



勝特力材料 886-3-5753170
勝特力电子(上海) 86-21-54151736
勝特力电子(深圳) 86-755-83298787
[Http://www.100y.com.tw](http://www.100y.com.tw)

P

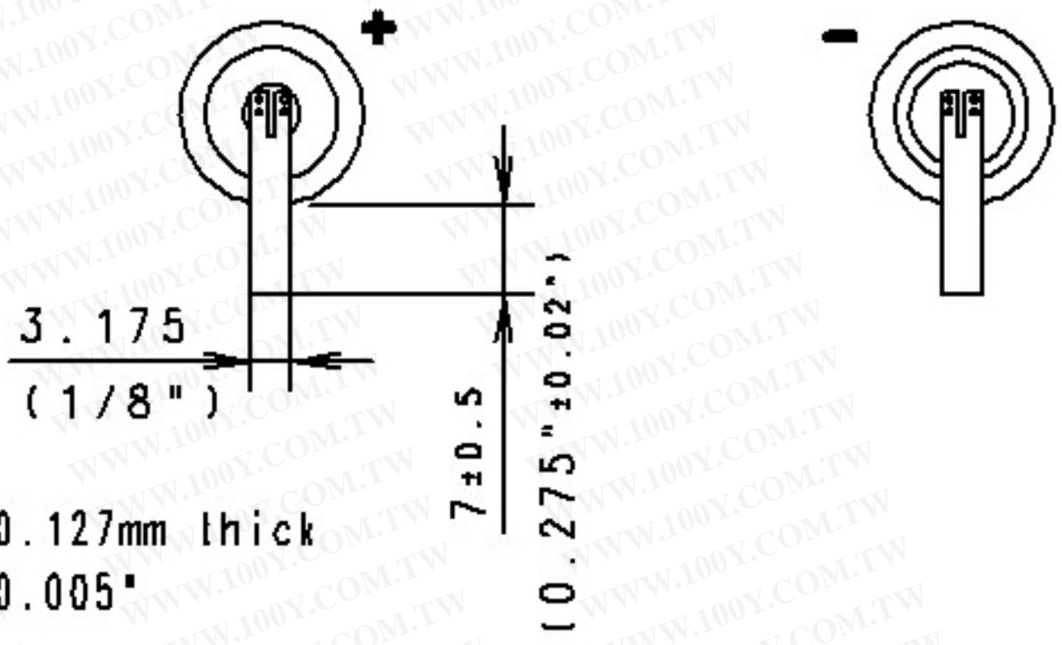
$2 \times \phi 0.8$
($\phi 0.031''$)



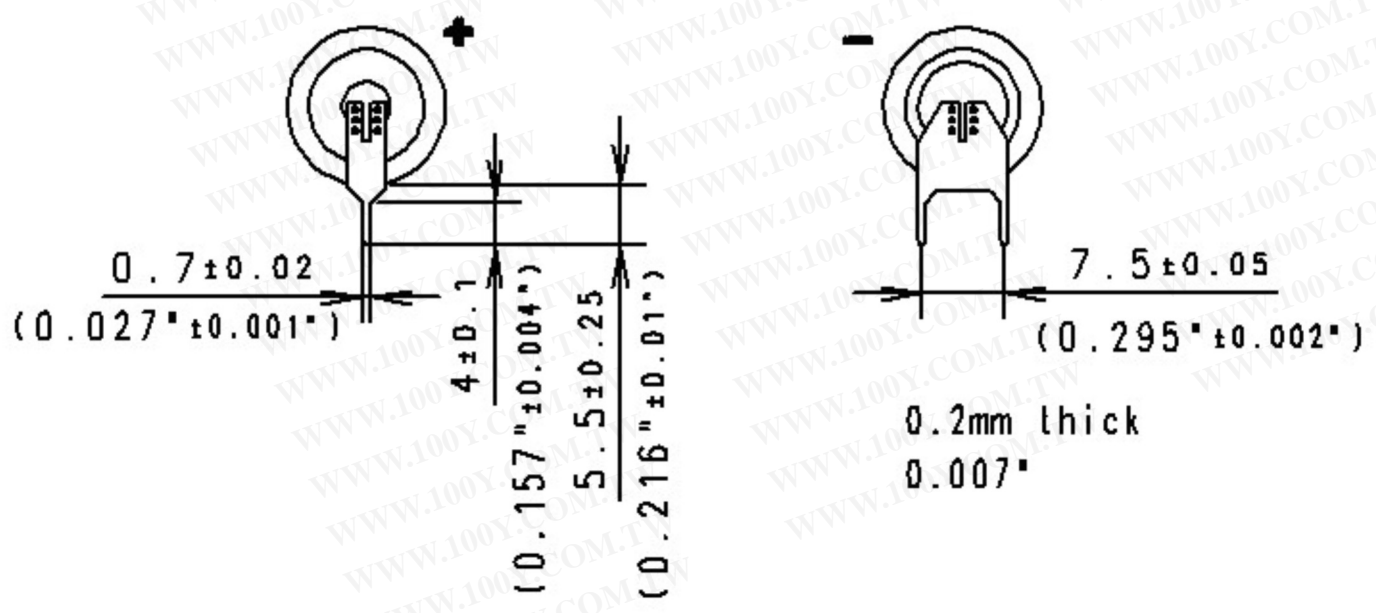
$2 \times 45-1$
($1.722'' - 0.04''$)

勝特力材料 886-3-5753170
 勝特力电子(上海) 86-21-54151736
 勝特力电子(深圳) 86-755-83298787
[Http://www.100y.com.tw](http://www.100y.com.tw)

T



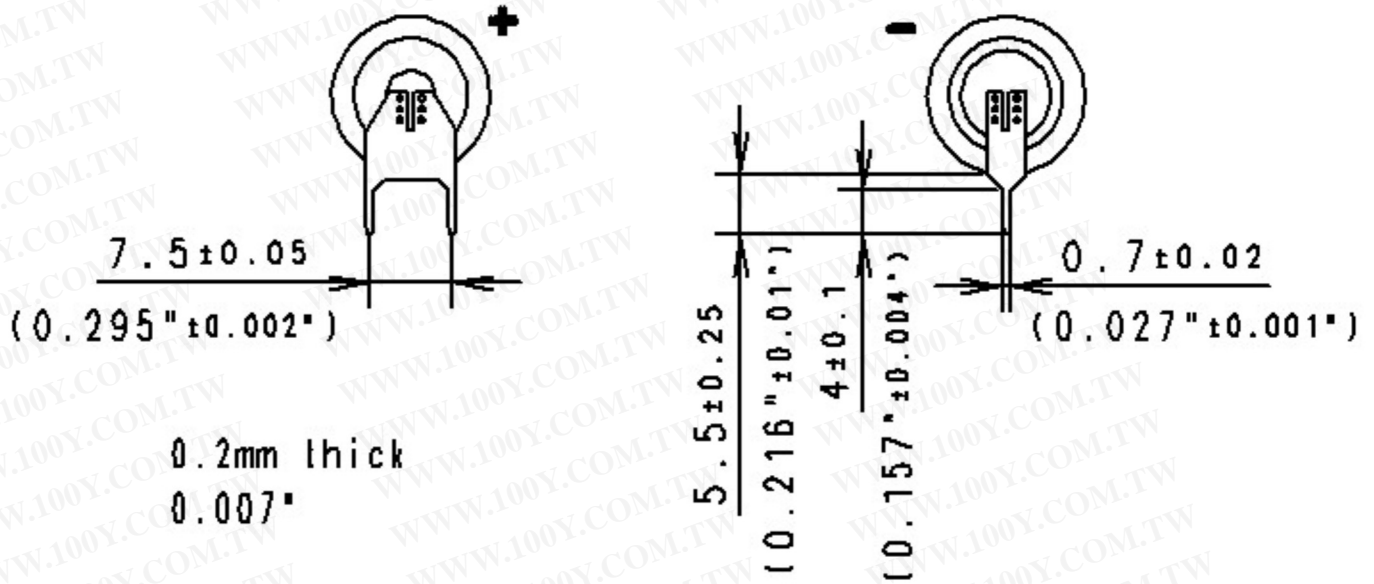
TP



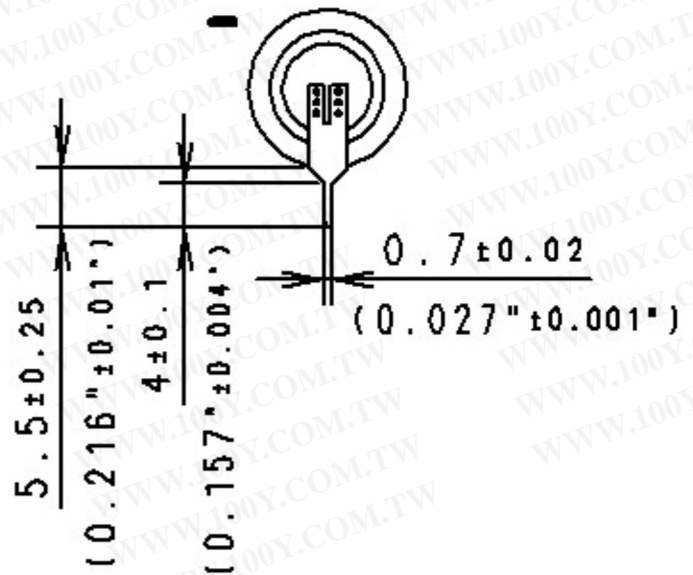
PT



勝特力材料 886-3-5753170
 勝特力电子(上海) 86-21-54151736
 勝特力电子(深圳) 86-755-83298787
[Http://www.100y.com.tw](http://www.100y.com.tw)



PT2



0.2mm thick
 $0.007''$