

# MODEL TL-2134

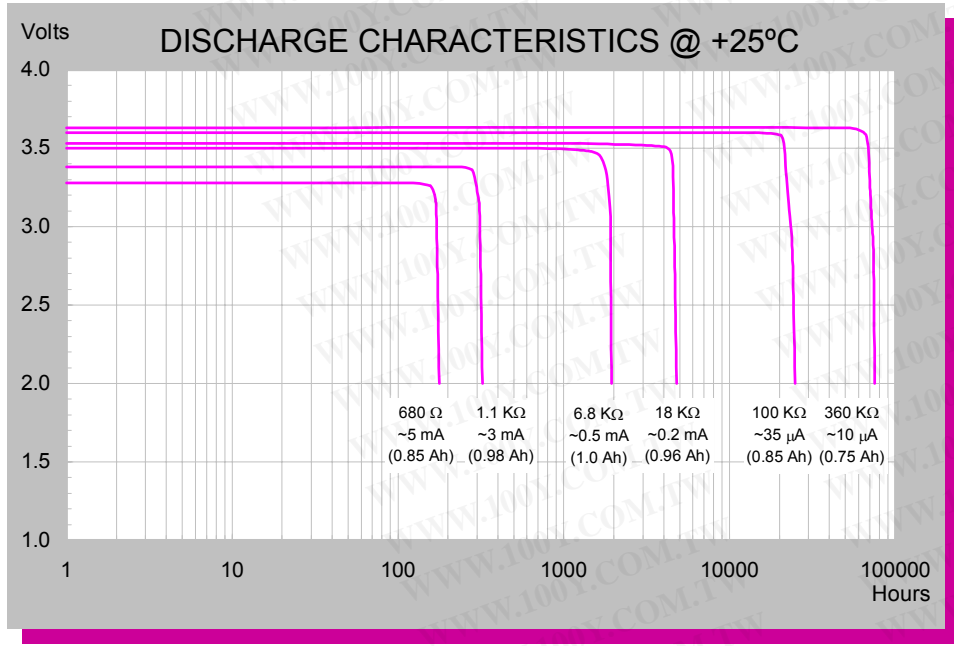
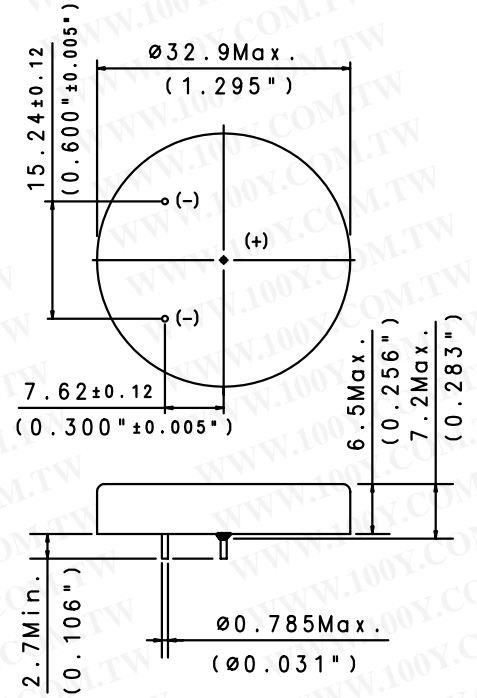
International size reference: 1/10D, ER32L65

## TECHNICAL DATA

(Typical values @+25°C for batteries stored for one year or less)

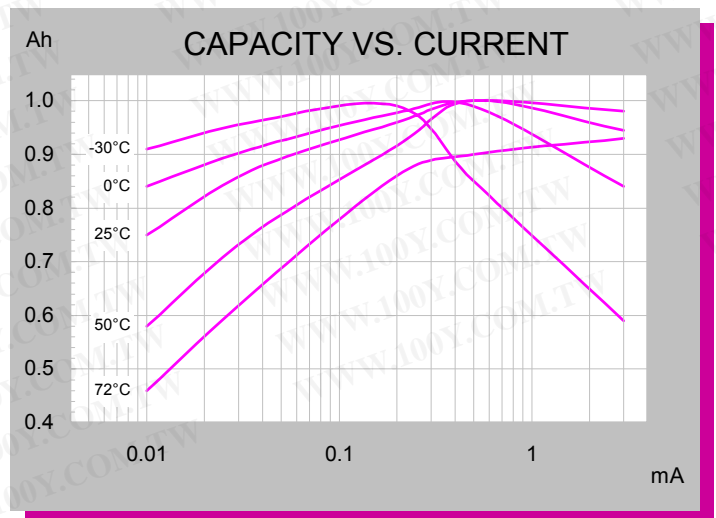
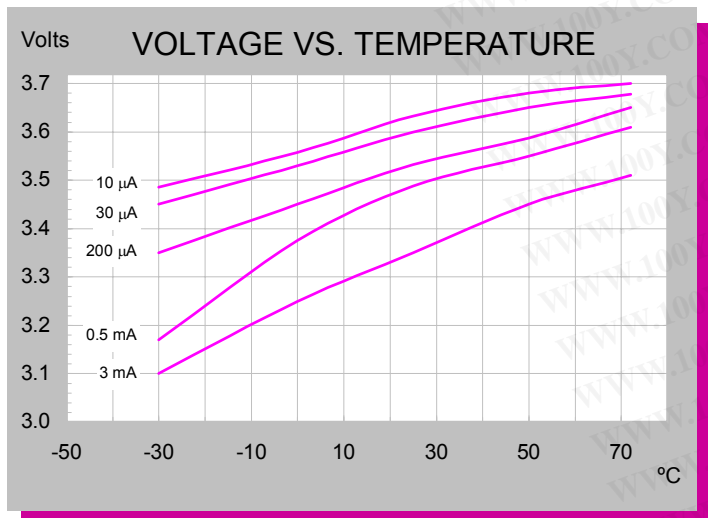
- Nominal capacity @ 0.5 mA, to 2V 1 Ah
- Rated voltage 3.6 V
- Maximum recommended continuous current 10 mA
- Maximum pulse current capability 50 mA
- Weight 16.8g (0.59 oz)
- Volume 5 cc
- Operating temperature range -55°C to +85°C
- U.L. Component Recognition, MH 12193

# TADIRAN LITHIUM BATTERIES



### ADDITIONAL INFORMATION

TERMINAL MATERIAL : TIN PLATED NICKEL  
 CATALOGUE NO. : 15-5134-41500



# LITHIUM XTRA