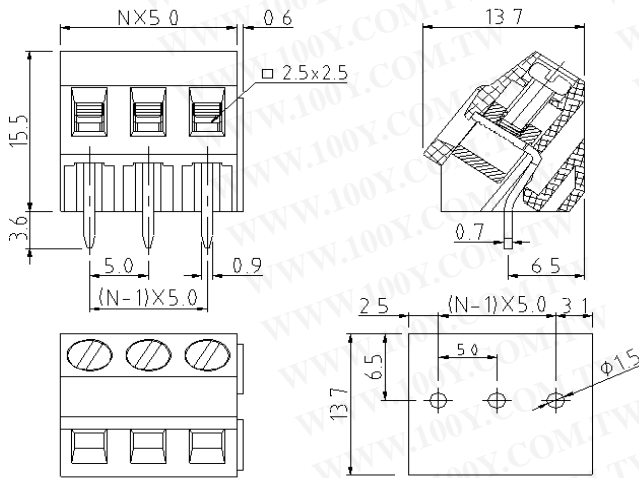
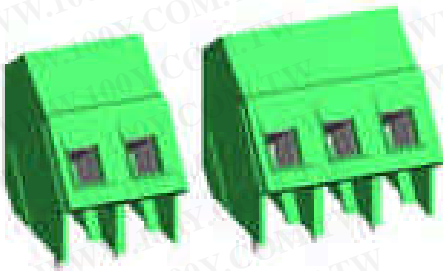


Pitch 5.0mm Poles 2P - 24P



Electrical:

Electrical:	cULus
Voltage rating:	300V
Current rating:	10A
Wire range:	
Solid wire(AWG):	12-24
Stranded wire(AWG):	12-24
Torque (kgf.cm):	4
Screw:	M2.5
Wire strip length:	6~7mm
Withstanding Voltage:	2KV
Operating temperature:	-30 ℃ to +105 ℃
Soldering temperature:	245 ℃ ±0 ℃/5 Sec

Materials

Material:	
Terminal Body (metal housing):	Brass(CuZn)
Terminal screw:	Steel Yellow Chromated Zinc - " slot type.
Contacts:	Brass
Surface of solder tail:	Tin plated
Insulator (housing):	Thermoplastic (UL94V-0)

勝特力材料 886-3-5753170
 勝特力电子(上海) 86-21-54151736
 勝特力电子(深圳) 86-755-83298787
[Http://www.100y.com.tw](http://www.100y.com.tw)

How to Order

T2	XX	X	X	X	X
----	----	---	---	---	---

Solid Block 02 2 contacts 03 3 contacts 24 24 contacts ...	0 5.00/.197" 1 10.00/.394" 2 5.08/0.20" 3 10.16/0.40"	0 "-" /+"Combination type W/Brass Machined Clamp 1 "-"Slot type W/Brass Machined Clamp 4 /+"Combination type W/Steel Stamped Clamp 5 "-"Slot type W/Steel Stamped Clamp	0 Black 6 Blue 8 Grey 5 Green	0 Stack able (old type) 1 Solid block (new type) 2 Stack able (new type)
---------------------------------------------------------------------	----------------------------------------------------------------	-------------------------------------------------------------------------------------------------------------------------------------------------------------------------------------	-------------------------------	--------------------------------------------------------------------------------

