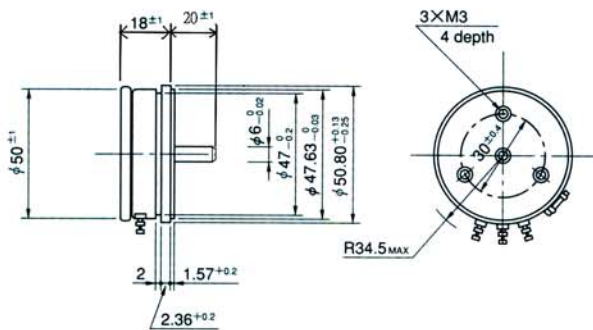


● Standard Dimensions



勝特力材料 886-3-5753170
 勝特力電子 86-755-83289527
[Http://www.100y.com.tw](http://www.100y.com.tw)

● General Specifications

Standard Resistance Range:	50 Ω to 20k Ω	Noise:	Below 100 Ω E.N.R.
Max. Practical Resistance Value:	50k Ω	Electrical Travel:	355° ±3°
Total Resistance Tolerance:	Standard Class ±3% (H)	Mechanical Travel:	360° (Endless)
Independent Linearity Tolerance:	Standard Class ±0.1% (5Kohm)	Insulation Resistance:	Over 1,000MΩ at 1,000V.D.C.
	Standard Class ±0.2% (2Kohm)	Dielectric Strength:	1 minute at 1,000V.A.C.
Power Rating:		Starting Torque:	Below 5mN·m (50gf·cm)
		Max. Working Voltage:	250V
		Resist. Temperature Coefficient of Wire:	±20p.p.m./°C
		Weight:	Approx. 120g

● Standard Resistance Values ■ No. of Wire Turns ■ Resistance Wire Used

Resist. Value (Ω)	50	100	200	500	1k	2k	5k	10k	20k	※50k
No. of Wire Turns	500	650	800	1,100	1,000	1,250	1,810	2,180	2,780	3,500
Resist. Wire Used	Cu-Ni System					Ni-Cr System				

Note: Mark ※ shows value at special higher practical resistance.

● Special Specifications Available

Lower resistance values (10 Ω, 20 Ω), Extra taps (Available up to 10 taps), Multi-ganged (Available up to 7 gangs. Housing length is extended by 12mm per 1 gang), Bushingmount type, Shaft with front and rear extension (Rear shaft with 6mm dia. and 15mm length), Spring return device incorporated (Automatically returning to the zero position), With stopper (Rotating angle becomes 330° and stopper strength is 0.9N·m [9kgf·cm]), Special electrical travel, Shaft dia. (φ 1/4") with inch dimensions, Special machining on the shaft.