

GaAs Based Solar SMD

No: SZSC0005SC006A1Y

Features & Applications

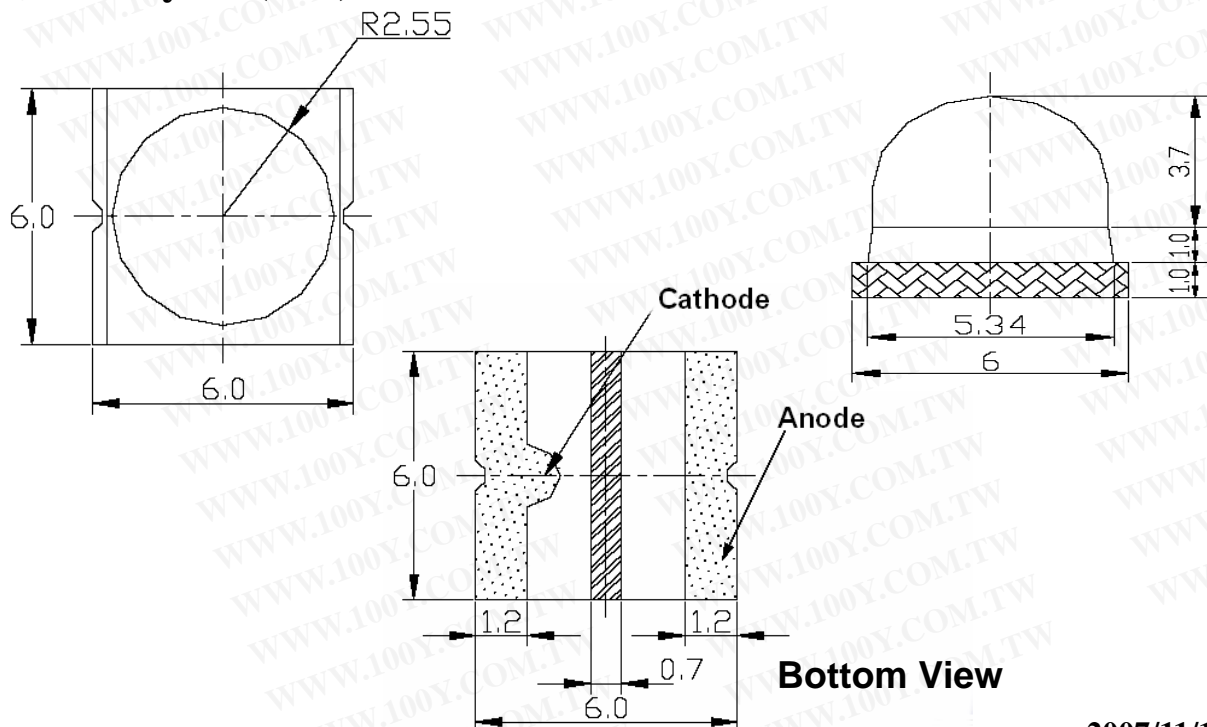
- High Converting Efficiency
- High Thermal Stability
- The Solar Chip Package with SMD Type Could Be Used for Small Size Consumer Products

Characteristics

Parameter	Symbol	Min	Typ	Max	Unit
Open Circuit Voltage	V_{oc}	0.95	1.06	***	V
Short Circuit Current	I_{sc}	3.0	3.5	***-	mA
Maximum Power Voltage	V_{mp}	***	0.85	***-	V
Maximum Power Current	I_{mp}	***	3.3	***	mA
Rated Power	P_{mp}	2.0	2.6	***	mW

Test Conditions: AM 1.5 (100mW/cm²) @ 30°C

Device Layout (mm)



2007/11/12

Current-Voltage Characteristic

