

Specification Table

勝特力材料 886-3-5753170
 勝特力电子(上海) 86-21-54151736
 勝特力电子(深圳) 86-755-83298787
[Http://www.100y.com.tw](http://www.100y.com.tw)

Cylindrical Type Lithium Batteries

Cylindrical Type Lithium Batteries (BR series) (Cylindrical type poly carbonmonofluoride lithium batteries)

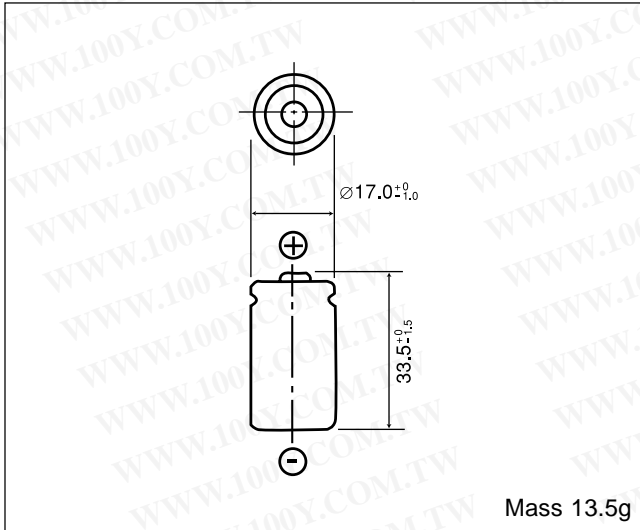
Model Number	Electrical Characteristics at 20°C			Dimensions(mm)		Approx. Weight (g)	JIS	IEC
	Nominal Voltage(v)	Nominal Capacity(mAh)*	Continuous Standard Drain(mA)	Diameter	Height			
BR-2/3A	3	1,200	2.5	17.0	33.5	13.5	-	-
BR-2/3AG		1,450				13.5	-	-
BR-A		1,800			18.0	-	-	
BR-AG		2,200	18.0	-	-			
BR-C		5,000	5.0	26.0	50.5	42.0	-	-

* Based on standard drain and cut off voltage down to 2.0V at 20°C.

The characteristic data on this site is no more than an example to be used as a general reference. Please understand that these are not the guaranteed values.

BR-2/3A

■ Dimensions(mm)

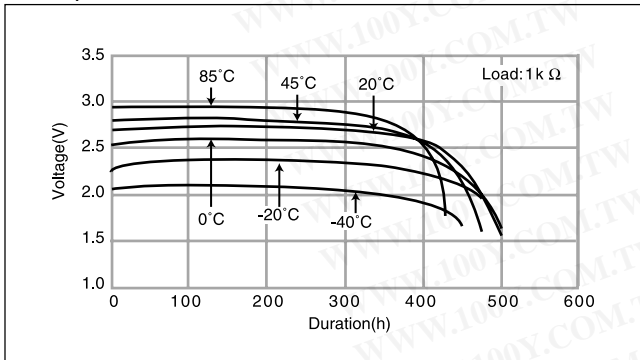


勝特力材料 886-3-5753170
 勝特力电子(上海) 86-21-54151736
 勝特力电子(深圳) 86-755-83298787
[Http://www.100y.com.tw](http://www.100y.com.tw)

■ Specification

Nominal voltage(V)	3
Nominal capacity(mAh)	1,200
Continuous drain(mA)	2.5
Operating temperature(°C)	-40 ~ +85

■ Temperature Characteristics



■ Operating voltage vs. Discharge current(voltage at 50% discharge depth)

