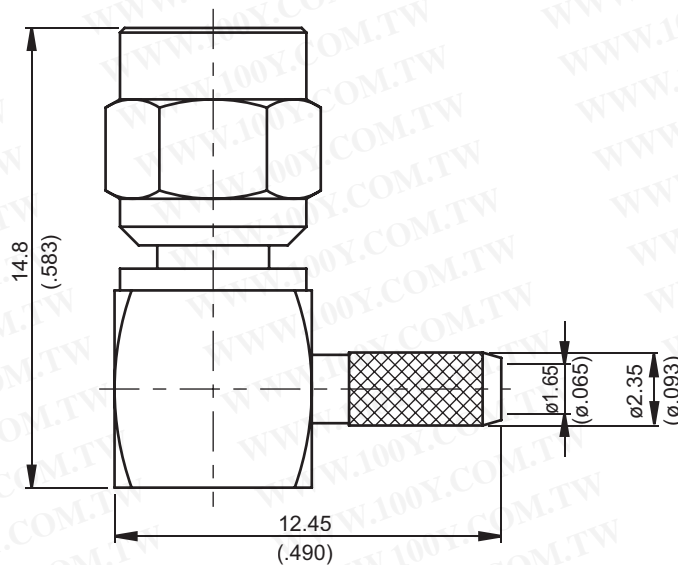


SMC3100-9316

SMC Plug Crimp Right Angle

50Ω



Parts	Material	Plating (Micro-inch)
Ferrule	Brass	Gold 5 Over Nickel 50 Over Copper 50
Cover	Brass	Gold 5 Over Nickel 50 Over Copper 50
Contact Pin	Beryllium Copper	Gold 20 Over Nickel 50 Over Copper 50
Insulator	Teflon	
Body	Brass	Gold 5 Over Nickel 50 Over Copper 50
Barrel	Brass	Gold 5 Over Nickel 50 Over Copper 50
Coupling Nut	Brass	Gold 5 Over Nickel 50 Over Copper 50

Weight: 2.96 g

Suitable Cables: RG174, RG188, RG316, JBY100, RG316-E, RG316-FEP

Notice: JYEBAO reserves the right to make modifications deemed appropriate.