

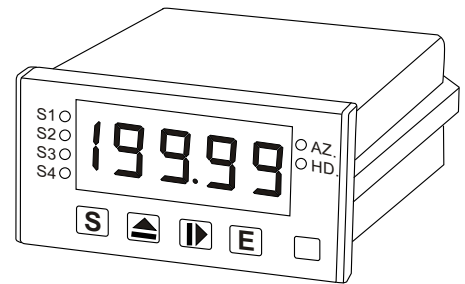


MICROPROCESS DIGITAL METER RELAY

MODEL
S2-412PA

FEATURES

- Programmable display ± 19999
- Accuracy: $\pm 0.05\%$ to $\pm 0.2\%$
- Auto-zero and hold function
- Max. Four setting and contact point
- Outside dimension is DIN standard (96x48mm)



SPECIFICATION

• Input

Variable to be Measured	Input Range	Input Impedance	Display Range
DC	0 ~ 5V	$\geq 1M\Omega$	0 ~ ± 19999 Programmable
	1 ~ 5V	$\geq 1M\Omega$	
	0 ~ 10V	$\geq 1M\Omega$	
	0 ~ 1mA	100 Ω	
	4 ~ 20mA	10 Ω	
	0 ~ 20mA	10 Ω	
AC	0 ~ 1A	0.1 Ω	
	0 ~ 5A	0.1 Ω	
TRMS	0 ~ 110V	$\geq 1M\Omega$	
	0 ~ 220V	$\geq 1M\Omega$	

• OUTPUT

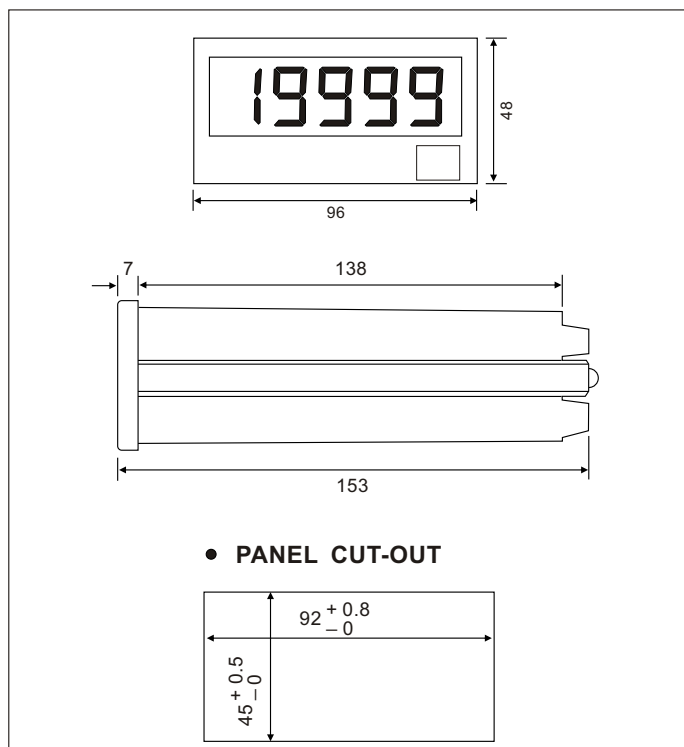
Output Range	Load Resistance	Output Resistance	Output Ripple
0 ~ 1V	$\geq 1K\Omega$	$\leq 0.05\Omega$	$\leq 0.5\%$ RO. (Peak)
1 ~ 5V			
1 ~ 5V			
0 ~ 10V			
0 ~ 1mA	0 ~ 10K Ω	$\geq 20M\Omega$	
0 ~ 10mA	0 ~ 1K Ω	$\geq 5M\Omega$	
0 ~ 20mA	0 ~ 500 Ω		
4 ~ 20mA			

ORDERING INFORMATION

S2-412PA-

Mode	Input	Measuring Range	Output	Aux. Source	
2: 2setting	D: DC	P1: 0 ~ 50mV	A7: 0 ~ 1A	V2: 0 ~ 5V	1: AC 110/220V
4: 4setting	A: AC	P2: 0 ~ 60mV	A8: 0 ~ 5A	V4: 0 ~ 10V	2: DC 110V
	T: TRMS	P3: 0 ~ 5V	V6: 0 ~ 110V	A2: 0 ~ 10mA	3: DC 48V
	R: Pt100	P4: 1 ~ 5V	V7: 0 ~ 220V	A3: 0 ~ 20mA	4: DC 24V
	K: K TYPE	P5: 0 ~ 10V	T1: 0 ~ 100°C	A4: 4 ~ 20mA	0: Option
	O: Option	P6: 0 ~ 1mA	T2: 0 ~ 1200°C	RS: RS485	
		P7: 4 ~ 20mA	00: Option	NO: None	
		P8: 0 ~ 20mA			

OUTSIDE DIMENSION (UNIT:mm)



Display 14.2mm (0.56") H, red LED
 Accuracy DC range $\pm 0.05\%$ F.S. ± 2 digits
 AC range $\pm 0.15\%$ F.S. ± 2 digits
 Tem. Range $\pm 0.2\%$ F.S. ± 2 digits

Measuring mode Dual slope
 Control system Microcomputer
 Maximum display ± 19999
 Setting range 0- ± 19999 setting
 Dead zone range 0-9999
 Start (Alarm) delay time 0-99 sec.
 Alarm action Hi-Lo mode selectable
 Led flash until alarm action

Memory backup EEPROM
 Relay output SPST relay contact (S2-412PA-4),
 SPDT relay contact (S2-412PA-2)
 AC 110V/220V, DC 24V, 3A

Electrical characteristics Conforming to EIA RS-485
 Communication method 2-wire system half-duplex
 Transmission speed 2400/4800/9600/19200 pbs
 DC output Isolation 12 bit D/A
 Sampling time Abt. 0.8 sec. Typically
 Frequency range 45 ~ 400HZ for AC range
 Over indication Flash "OFL" or "-OFL"
 Over input signal Flash display
 Aux. power source AC 110/220V $\pm 10\%$, 50/60Hz
 Power consumption for two setting (S2-412PA-2) \leq AC 4VA
 for four setting (S2-412PA-4) \leq AC 5VA

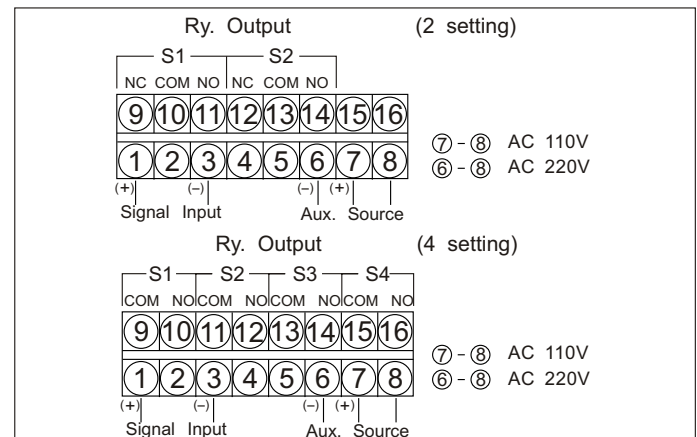
Operating temperature range 0 ~ 60°C
 Sensor power supply DC 12V or 24V, 30mA
 (Option function)

Storage temperature range -10 ~ 70°C
 Temperature coefficient $\leq 100PPM/^\circ C$
 $\leq 60PPM, 25^\circ C \pm 10^\circ C$

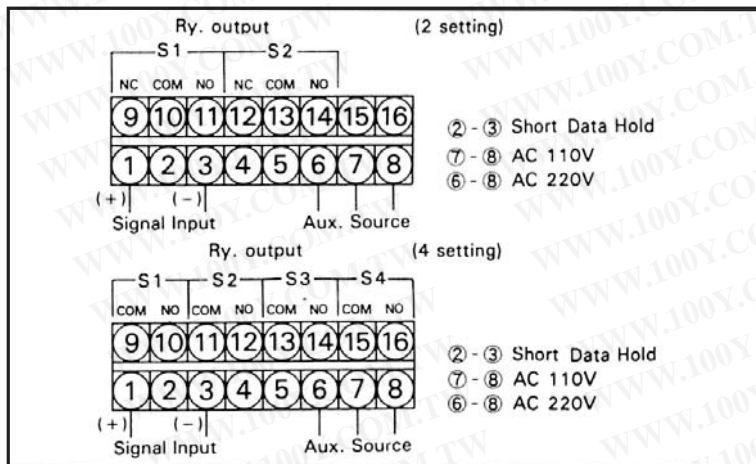
Max. relative humidity 95%
 Dielectric strength (IEC 688) AC 2KV/1 minute
 Input to power terminals
 AC 3KV/1 minute
 All terminals to case

Impulse (IEC 255-4) Common mode 1.2 x 50 μ S 4KV

CONNECTION DIAGRAMS



CONNECTION DIAGRAM



勝特力材料 886-3-5753170
 勝特力电子(上海) 86-21-54151736
 勝特力电子(深圳) 86-755-83298787
[Http://www.100y.com.tw](http://www.100y.com.tw)

DIMENSION (Measurements : mm)

