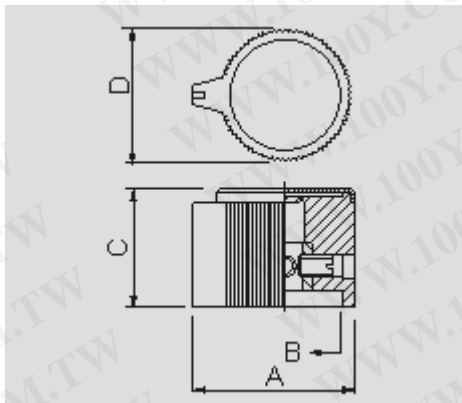


RN-206



	A	B	C	D	SHAFT HOLE	
D	∅ 26.7	∅ 19.3	19.3	∅ 23.4	∅ 6.4	
E	∅ 20.7	∅ 14.7	14.7	∅ 18.0	∅ 6.4	∅ 3.2
F	∅ 15.6	∅ 10.3	12.2	∅ 13.4	∅ 6.4	∅ 3.2

FEATURES:

- Material : Phenolic.
- With white indicator line.
- Set screw on one side.
- With brass insert.
- With aluminum spun inlay.

勝特力材料 886-3-5753170
 勝特力电子(上海) 86-21-54151736
 勝特力电子(深圳) 86-755-83298787
[Http://www.100y.com.tw](http://www.100y.com.tw)

