

# 394

SR936SW (SR936)  
Watch Battery  
Swiss Made

勝特力材料 886-3-5753170  
 勝特力电子(上海) 86-21-54151736  
 勝特力电子(深圳) 86-755-83298787  
[Http://www.100y.com.tw](http://www.100y.com.tw)

## Technical Data Sheet

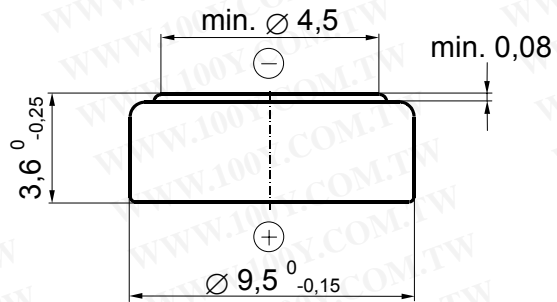
### Specifications

Chemical system	Zinc / Monovalent Silver Oxide, low drain
Nominal Voltage	1,55 V
Capacity	84 mAh, Discharge over 16,2 kΩ at 20°C to 1,2 V
Internal Resistance	Below 50 Ω at 20°C
Operating Temperature	0°C – 60°C
Self Discharge	Less than 5% per year at 20°C
Weight	~1,02 g

### Dimensions

(according IEC 60086-3)

Diameter	9,50 mm (0,374")
Height	3,60 mm (0,142")



### Discharge Curve

Constant Load	16,2 kΩ
Starting Drain	96,3 μA
Temperature	20°C

