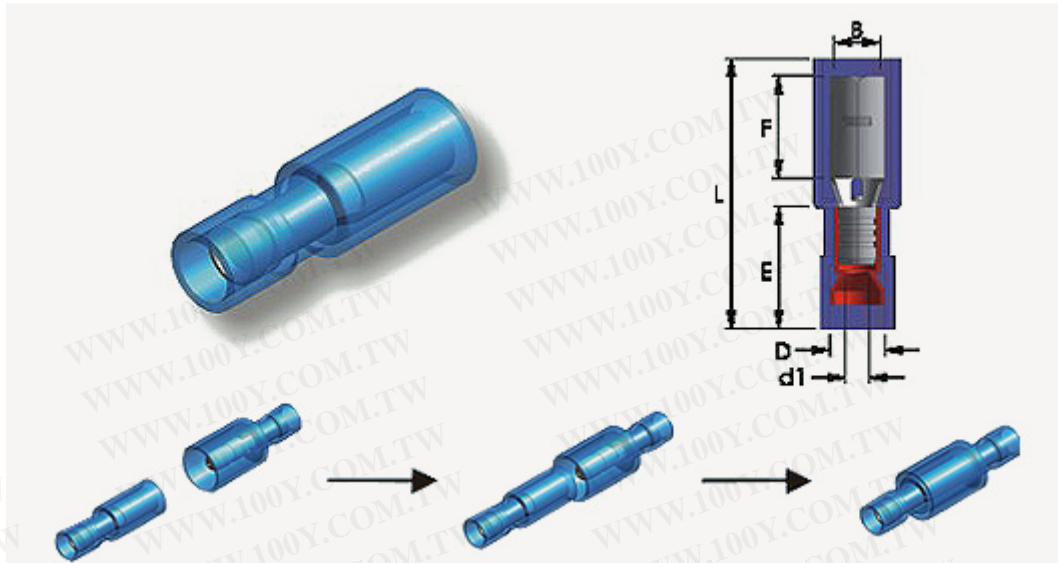


Receptacle



NYLON FULLY INSULATED RECEPTACLE DISCONNECTORS(DOUBLE CRIMP)

Feature:

1. MAXIMUM ELECTRICAL RATING: 300 VOLTS
2. MAXIMUM TEMPERATURE: 105 °C
3. TERMINAL MATERIAL: BRASS
4. PLATING: ELECTRO TIN PLATED
5. REINFORCEMENT SLEEVE: C TYPE SLEEVE
6. INSULATION MATERIAL: EASY ENTRY NYLON

勝特力材料 886-3-5753170
 勝特力电子(上海) 86-21-54151736
 勝特力电子(深圳) 86-755-83298787
[Http://www.100y.com.tw](http://www.100y.com.tw)

Specification:

WIRE RANGE AWG / mm ²	ITEM NO.	DIMENSIONS inch (mm)					
		B	F	L	E	D	d1
22~16 AWG 0.5~1.5 mm ²	RE1-4AFC	.157 (4.0)	.354 (9.0)	.992 (25.2)	.433 (11.0)	.165 (4.2)	.067 (1.7)
16~14 AWG 1.5~2.5 mm ²	RE2-4AFC					.193 (4.9)	.091 (2.3)
	RE2-5AFC	.197 (5.0)		.905 (23.0)	.413 (10.5)		
12~ 10 AWG 4~6 mm ²	RE5-5AFC					1.004 (25.5)	.512 (13.0)