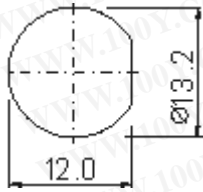
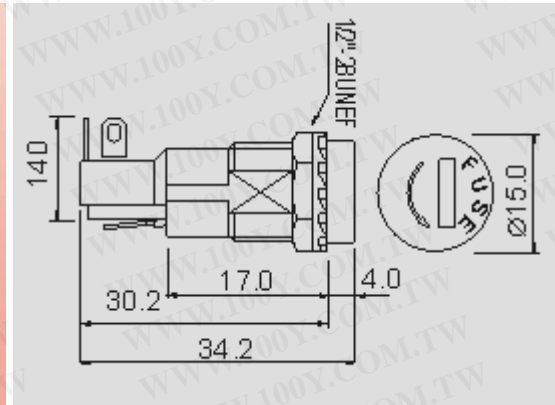


R3-11



10A 250V AC

4.5 mm MAX

(4.0mm)0.156" Solder

FEATURES:

- Material:
Housing : phenolic.
Contact : nickel plated brass.
- Snap-in mounting, easy to install receptacle to panel.
- Fit flat plug.

R3-11

CAP

Bayonet type

Screw type

FUSE

5.0*20mm

5.0*20mm

勝特力材料 886-3-5753170
 勝特力电子(上海) 86-21-54151736
 勝特力电子(深圳) 86-755-83298787
[Http://www.100y.com.tw](http://www.100y.com.tw)