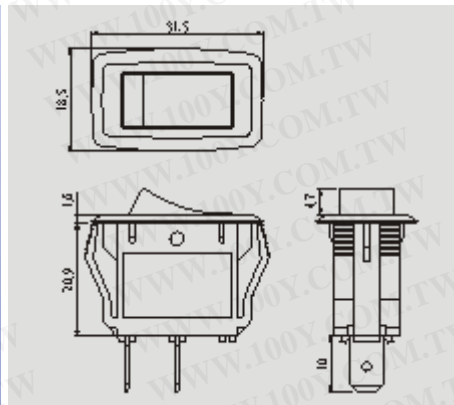


# R13-205

E67774LR45128 11037-4401



## Rating

16A 125V AC  
10A 250V AC

Contact resistance

50mΩ Max

Insulation resistance

DC 500V

100MΩ Min

Dielectric strength

AC 1500V 1 minute

Cut-out

## FEATURES

- MATERIAL: Frames are nylon (UL flame: 94V-2). Terminals are silver plated brass.
- Illuminated actuators are molded in PC, available with red, amber, and green colors.
- Snap-in mounting, easy to install switch into panel.

勝特力材料 886-3-5753170  
 勝特力电子(上海) 86-21-54151736  
 勝特力电子(深圳) 86-755-83298787  
[Http://www.100y.com.tw](http://www.100y.com.tw)

	X	Y
.2-0.	7.2-0.	.2-0.
	X	Y
0.75~1.25	27.6-0.1	13.8+0.1
1.25~2	27.6-0.1	13.8+0.1
2~3	28.0-0.1	13.8+0.1

R13-

## FUNCTION ROCKER

## TERMINAL



.250" Quick connect

Solder

\* ( ) = momentary

