

NON-INSULATED RING TERMINALS

1. MAXIMUM ELECTRIC CURRENT :

22~16 AWG / 0.5~1.5 mm² : 19

AMPERE

16~14 AWG / 1.5~2.5 mm² : 27

AMPERE

12~10 AWG / 4 ~ 6 mm² : 48

AMPERE

2. TERMINAL MATERIAL : COPPER

3. BRAZED SEAM



WIRE RANGE AWG/mm ²	ITEM NO.	STUD SIZE d2	DIMENSIONS inch (mm)					
			B	L	F	E	D	d1
22~16AWG 0.5~1.5mm ²	R1-2NB	#1(2.2)	.260(6.6)	.575(14.6)	.248(6.3)	.197(5.0)	.134(3.4)	.067(1.7)
	R1-3NB	#4(3.2)	.217(5.5)	.461(11.7)	.157(4.0)			
	R1-3.5SNB	#6(3.7)	.217(5.5)	.461(11.7)	.157(4.0)			
	R1-3.5MNB	#6(3.7)	.260(6.6)	.575(14.6)	.248(6.3)			
	R1-3.5LNB	#6(3.7)	.315(8.0)	.630(16.0)	.276(7.0)			
	R1-4SNB	#8(4.3)	.260(6.6)	.575(14.6)	.248(6.3)			
	R1-4LNB	#8(4.3)	.315(8.0)	.630(16.0)	.276(7.0)			
	R1-5NB	#10(5.3)	.315(8.0)	.630(16.0)	.276(7.0)			
	R1-6NB	1/4(6.5)	.457(11.6)	.858(21.8)	.437(11.1)			
R1-8NB	5/16(8.4)	.457(11.6)	.858(21.8)	.437(11.1)				
16~14AWG 1.5~2.5mm ²	R2-2NB	#1(2.2)	.252(6.4)	.492(12.5)	.169(4.3)	.197(5.0)	.161(4.1)	.091(2.3)
	R2-3NB	#4(3.2)	.252(6.4)	.492(12.5)	.169(4.3)			
	R2-3.5SNB	#6(3.7)	.252(6.4)	.492(12.5)	.169(4.3)			
	R2-3.5MNB	#6(3.7)	.260(6.6)	.570(14.5)	.248(6.3)			
	R2-3.5LNB	#6(3.7)	.335(8.5)	.669(17.0)	.307(7.8)			
	R2-4SNB	#8(4.3)	.260(6.6)	.570(14.5)	.248(6.3)			
	R2-4LNB	#8(4.3)	.335(8.5)	.669(17.0)	.307(7.8)			
	R2-5SNB	#10(5.3)	.335(8.5)	.669(17.0)	.307(7.8)			
	R2-5LNB	#10(5.3)	.374(9.5)	.669(17.0)	.287(7.3)			
R2-6NB	1/4(6.5)	.472(12.0)	.886(22.0)	.433(11.0)				
R2-8NB	5/16(8.4)	.472(12.0)	.886(22.0)	.433(11.0)				
12~10AWG 4~6mm ²	R5-3NB	#4(3.2)	.283(7.2)	.610(15.5)	.232(5.9)	.236(6.0)	.220(5.6)	.134(3.4)
	R5-3.5SNB	#6(3.7)	.283(7.2)	.610(15.5)	.232(5.9)			

R5-3.5LNB	#6(3.7)	.374(9.5)	.748(19.0)	.327(8.3)			
R5-4SNB	#8(4.3)	.283(7.2)	.610(15.5)	.232(5.9)			
R5-4LNB	#8(4.3)	.374(9.5)	.748(19.0)	.327(8.3)			
R5-5NB	#10(5.3)	.374(9.5)	.748(19.0)	.327(8.3)			
R5-6NB	1/4(6.5)	.472(12.0)	.886(22.5)	.413(10.5)			
R5-8NB	5/16(8.4)	.591(15.0)	1.071(27.2)	.539(13.7)			

勝特力材料 886-3-5753170
勝特力电子(上海) 86-21-54151736
勝特力电子(深圳) 86-755-83298787
Http://www.100y.com.tw

WWW.100Y.COM.TW
 WWW.100Y.COM.TW
 WWW.100Y.COM.TW
 WWW.100Y.COM.TW

圖號 .DRAWING NO.:

FP3R02NB

校訂版次 REVISIONS

品名 NAME: Ring

ITEM NO.:

版次

記述 DESCRIPTION

DATE

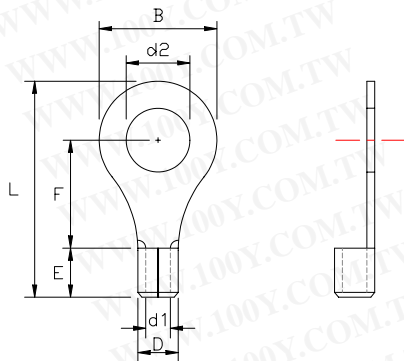
核可

NOTE:

1. WIRE RANGE: AWG 16-14/1.5-2.5mm²

2. BRAZED SEAM

←brazed seam



產品編號 ITEM NO.	d2 ±0.20	B ±0.20	F ±0.30	L ±1.00	E ±0.60	d1 ±0.20	D ±0.30
R2-2NB	2.2	6.4	4.3	12.5	5.0	2.3	4.1
R2-3NB	3.2	6.4	4.3	12.5			
R2-3.5SNB	3.7	6.4	4.3	12.5			
R2-3.5MNB	3.7	6.6	6.3	14.5			
R2-3.5LNB	3.7	8.5	7.8	17.0			
R2-4SNB	4.3	6.6	6.3	14.5			
R2-4LNB	4.3	8.5	7.8	17.0			
R2-5SNB	5.3	8.5	7.8	17.0			
R2-5LNB	5.3	9.5	7.3	17.0			
R2-6NB	6.5	12.0	11.0	22.0			
R2-8NB	8.4	12.0	11.0	22.0			
R2-10NB	10.5	13.6	13.9	25.7			
R2-12NB	13.0	19.2	16.0	30.6			

認可 APPROVALS

第三視角
THIRD VIEW

MATERIAL

單位 UNITE

製圖 DRAFT: Den

INSULATION: NON

m/m

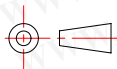
設計 DESIGN: 劉'r

MATERIAL: COPPER

比例 SCALE

核可 CHECKED: Chen

TIN PLATING



勝特力材料 886-3-5753170
 勝特力电子(上海) 86-21-54151736
 勝特力电子(深圳) 86-755-83298787
[Http://www.100y.com.tw](http://www.100y.com.tw)