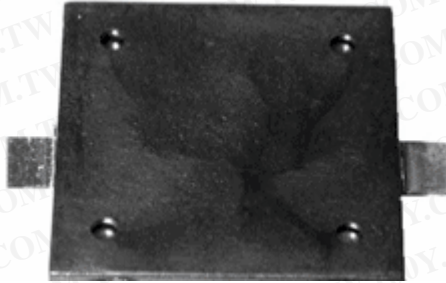


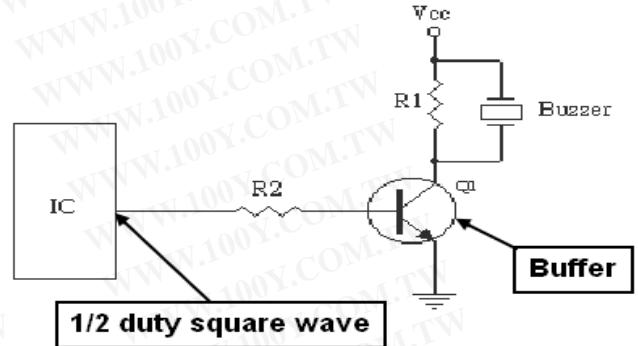
# PROMOVER PRODUCTS

## Shape

### P1313025

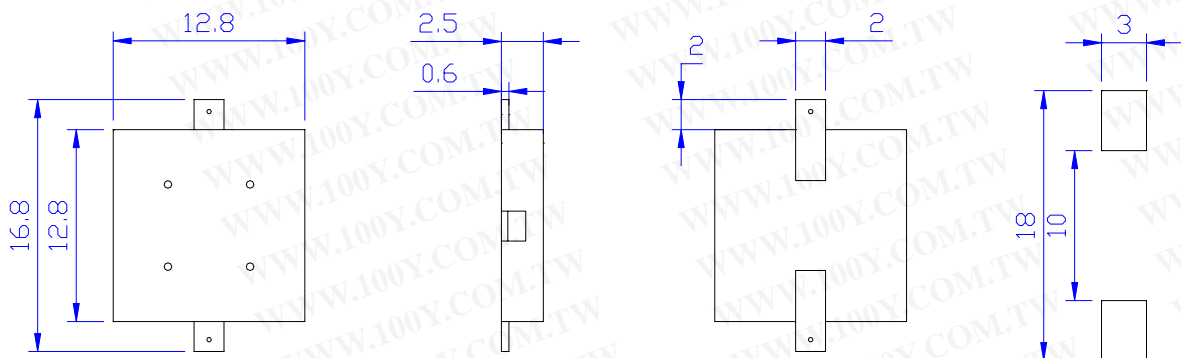


### Suggestion Exterior circuit:



Model Number	P1313025
Operating Voltage(Vp-p)	1.0~25.0
Rated Voltage(Vp-p)	5.0
MiniSound Output at10cm(dB)	80
Resonant Frequency(Hz)	4100±500
Operating Temperature(°C)	-20~+70
Storage Temperature(°C)	-30~+80
Tone	Continuous
Material	PPS

## Dimension



勝特力材料 886-3-5753170  
 勝特力电子(上海) 86-21-54151736  
 勝特力电子(深圳) 86-755-83298787  
[Http://www.100y.com.tw](http://www.100y.com.tw)

Tolerance:±0.5 Unit:mm