

DATA SHEET

勝特力材料 886-3-5753170
勝特力电子(上海) 86-21-54151736
勝特力电子(深圳) 86-755-83298787
[Http://www.100y.com.tw](http://www.100y.com.tw)

74LV14

Hex inverting Schmitt-trigger

Product specification
Supersedes data of 1997 Feb 03
IC24 Data Handbook

1998 Apr 20

Hex inverting Schmitt-trigger

74LV14

FEATURES

- Wide operating voltage: 1.0 to 5.5 V
- Optimized for Low Voltage applications: 1.0 to 3.6 V
- Accepts TTL input levels between $V_{CC} = 2.7$ V and $V_{CC} = 3.6$ V
- Typical V_{OLP} (output ground bounce) < 0.8 V at $V_{CC} = 3.3$ V, $T_{amb} = 25^{\circ}\text{C}$.
- Typical V_{OHV} (output V_{OH} undershoot) > 2 V at $V_{CC} = 3.3$ V, $T_{amb} = 25^{\circ}\text{C}$.
- Output capability: standard
- I_{CC} category: SSI

QUICK REFERENCE DATA

GND = 0 V; $T_{amb} = 25^{\circ}\text{C}$; $t_r = t_f \leq 2.5$ ns

| SYMBOL | PARAMETER | CONDITIONS | TYPICAL | UNIT |
|-------------------|--|------------------------------------|---------|------|
| t_{PHL}/t_{PLH} | Propagation delay nA to nY | $C_L = 15$ pF; $V_{CC} = 3.3$ V | 13 | ns |
| C_I | Input capacitance | | 3.5 | pF |
| C_{PD} | Power dissipation capacitance per gate | See Notes 1 and 2 | 15 | pF |

NOTES:

- C_{PD} is used to determine the dynamic power dissipation (P_D in μW)
 $P_D = C_{PD} \times V_{CC}^2 \times f_i + \sum (C_L \times V_{CC}^2 \times f_o)$ where:
 f_i = input frequency in MHz; C_L = output load capacitance in pF;
 f_o = output frequency in MHz; V_{CC} = supply voltage in V;
 $\sum (C_L \times V_{CC}^2 \times f_o)$ = sum of the outputs.
- The condition is $V_I = \text{GND}$ to V_{CC} .

ORDERING INFORMATION

| PACKAGES | TEMPERATURE RANGE | OUTSIDE NORTH AMERICA | NORTH AMERICA | PKG. DWG. # |
|-----------------------------|---|-----------------------|---------------|-------------|
| 14-Pin Plastic DIL | -40°C to $+125^{\circ}\text{C}$ | 74LV14 N | 74LV14 N | SOT27-1 |
| 14-Pin Plastic SO | -40°C to $+125^{\circ}\text{C}$ | 74LV14 D | 74LV14 D | SOT108-1 |
| 14-Pin Plastic SSOP Type II | -40°C to $+125^{\circ}\text{C}$ | 74LV14 DB | 74LV14 DB | SOT337-1 |
| 14-Pin Plastic TSSOP Type I | -40°C to $+125^{\circ}\text{C}$ | 74LV14 PW | 74LV14PW DH | SOT402-1 |

PIN DESCRIPTION

| PIN NUMBER | SYMBOL | NAME AND FUNCTION |
|--------------------|----------|-------------------------|
| 1, 3, 5, 9, 11, 13 | 1A – 6A | Data inputs |
| 2, 4, 6, 8, 10, 12 | 1Y – 6Y | Data outputs |
| 7 | GND | Ground (0 V) |
| 14 | V_{CC} | Positive supply voltage |

APPLICATIONS

- Wave and pulse shapers for highly noisy environments

DESCRIPTION

The 74LV14 is a low-voltage Si-gate CMOS device and is pin and function compatible with 74HC/HCT14.

The 74LV14 provides six inverting buffers with Schmitt-trigger action. It is capable of transforming slowly changing input signals into sharply defined, jitter-free output signals.

FUNCTION TABLE

| INPUT | OUTPUT |
|-------|--------|
| nA | nY |
| L | H |
| H | L |

NOTES:

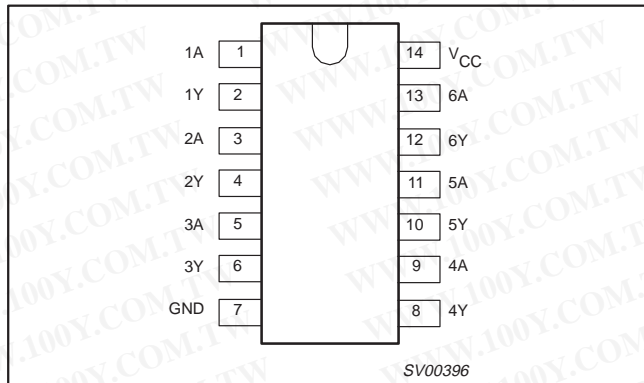
H = HIGH voltage level
L = LOW voltage level

勝特力材料 886-3-5753170
 勝特力电子(上海) 86-21-54151736
 勝特力电子(深圳) 86-755-83298787
[Http://www.100y.com.tw](http://www.100y.com.tw)

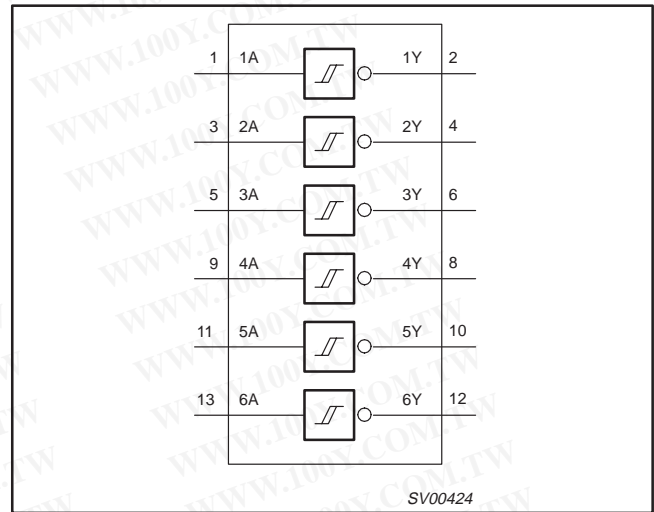
Hex inverting Schmitt-trigger

74LV14

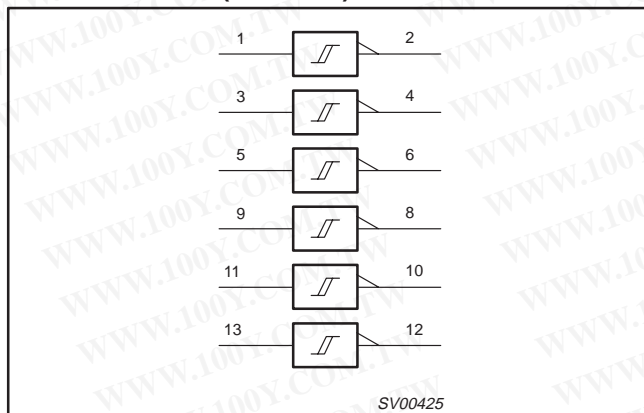
PIN CONFIGURATION



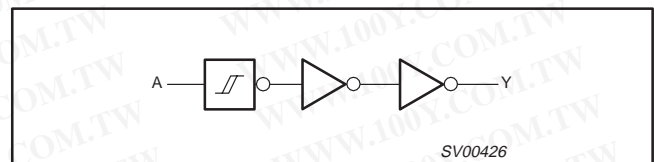
LOGIC SYMBOL



LOGIC SYMBOL (IEEE/IEC)



LOGIC DIAGRAM



RECOMMENDED OPERATING CONDITIONS

| SYMBOL | PARAMETER | CONDITIONS | MIN | TYP | MAX | UNIT |
|-----------|---|-------------------------------|-----|-----|-------------|------|
| V_{CC} | DC supply voltage | See Note1 | 1.0 | 3.3 | 5.5 | V |
| V_I | Input voltage | | 0 | – | V_{CC} | V |
| V_O | Output voltage | | 0 | – | V_{CC} | V |
| T_{amb} | Operating ambient temperature range in free air | See DC and AC characteristics | –40 | | +85 +125 | °C |

NOTE:

- The LV is guaranteed to function down to $V_{CC} = 1.0V$ (input levels GND or V_{CC}); DC characteristics are guaranteed from $V_{CC} = 1.2V$ to $V_{CC} = 5.5V$.

勝特力材料 886-3-5753170
勝特力电子(上海) 86-21-54151736
勝特力电子(深圳) 86-755-83298787
[Http://www.100y.com.tw](http://www.100y.com.tw)

Hex inverting Schmitt-trigger

74LV14

ABSOLUTE MAXIMUM RATINGS^{1, 2}

In accordance with the Absolute Maximum Rating System (IEC 134).

Voltages are referenced to GND (ground = 0V).

| SYMBOL | PARAMETER | CONDITIONS | RATING | UNIT |
|---------------------------------|---|--|-------------------|------|
| V_{CC} | DC supply voltage | | -0.5 to +7.0 | V |
| $\pm I_{IK}$ | DC input diode current | $V_I < -0.5$ or $V_I > V_{CC} + 0.5V$ | 20 | mA |
| $\pm I_{OK}$ | DC output diode current | $V_O < -0.5$ or $V_O > V_{CC} + 0.5V$ | 50 | mA |
| $\pm I_O$ | DC output source or sink current – standard outputs | $-0.5V < V_O < V_{CC} + 0.5V$ | 25 | mA |
| $\pm I_{GND}$, $\pm I_{CC}$ | DC V_{CC} or GND current for types with – standard outputs | | 50 | mA |
| T_{stg} | Storage temperature range | | -65 to +150 | °C |
| P_{TOT} | Power dissipation per package – plastic DIL – plastic mini-pack (SO) – plastic shrink mini-pack (SSOP and TSSOP) | for temperature range: -40 to +125°C above +70°C derate linearly with 12 mW/K above +70°C derate linearly with 8 mW/K above +60°C derate linearly with 5.5 mW/K | 750 500 400 | mW |

NOTES:

- Stresses beyond those listed may cause permanent damage to the device. These are stress ratings only and functional operation of the device at these or any other conditions beyond those indicated under “recommended operating conditions” is not implied. Exposure to absolute-maximum-rated conditions for extended periods may affect device reliability.
- The input and output voltage ratings may be exceeded if the input and output current ratings are observed.

DC ELECTRICAL CHARACTERISTICS

Over recommended operating conditions. Voltages are referenced to GND (ground = 0V).

| SYMBOL | PARAMETER | TEST CONDITIONS | LIMITS | | | | | UNIT |
|-----------------|--|--|----------------|------------------|------|-----------------|------|---------|
| | | | -40°C to +85°C | | | -40°C to +125°C | | |
| | | | MIN | TYP ¹ | MAX | MIN | MAX | |
| V_{OH} | HIGH level output voltage; all outputs | $V_{CC} = 1.2V$; $V_I = V_{IH}$ or V_{IL} ; $-I_O = 100\mu A$ | | 1.2 | | | | V |
| | | $V_{CC} = 2.0V$; $V_I = V_{IH}$ or V_{IL} ; $-I_O = 100\mu A$ | 1.8 | 2.0 | | 1.8 | | |
| | | $V_{CC} = 2.7V$; $V_I = V_{IH}$ or V_{IL} ; $-I_O = 100\mu A$ | 2.5 | 2.7 | | 2.5 | | |
| | | $V_{CC} = 3.0V$; $V_I = V_{IH}$ or V_{IL} ; $-I_O = 100\mu A$ | 2.8 | 3.0 | | 2.8 | | |
| | | $V_{CC} = 4.5V$; $V_I = V_{IH}$ or V_{IL} ; $-I_O = 100\mu A$ | 4.3 | 4.5 | | 4.3 | | |
| V_{OH} | HIGH level output voltage; STANDARD outputs | $V_{CC} = 3.0V$; $V_I = V_{IH}$ or V_{IL} ; $-I_O = 6mA$ | 2.40 | 2.82 | | 2.20 | | V |
| | | $V_{CC} = 4.5V$; $V_I = V_{IH}$ or V_{IL} ; $-I_O = 12mA$ | 3.60 | 4.20 | | 3.50 | | |
| V_{OL} | LOW level output voltage; all outputs | $V_{CC} = 1.2V$; $V_I = V_{IH}$ or V_{IL} ; $I_O = 100\mu A$ | | 0 | | | | V |
| | | $V_{CC} = 2.0V$; $V_I = V_{IH}$ or V_{IL} ; $I_O = 100\mu A$ | | 0 | 0.2 | | 0.2 | |
| | | $V_{CC} = 2.7V$; $V_I = V_{IH}$ or V_{IL} ; $I_O = 100\mu A$ | | 0 | 0.2 | | 0.2 | |
| | | $V_{CC} = 3.0V$; $V_I = V_{IH}$ or V_{IL} ; $I_O = 100\mu A$ | | 0 | 0.2 | | 0.2 | |
| | | $V_{CC} = 4.5V$; $V_I = V_{IH}$ or V_{IL} ; $I_O = 100\mu A$ | | 0 | 0.2 | | 0.2 | |
| V_{OL} | LOW level output voltage; STANDARD outputs | $V_{CC} = 3.0V$; $V_I = V_{IH}$ or V_{IL} ; $I_O = 6mA$ | | 0.25 | 0.40 | | 0.50 | V |
| | | $V_{CC} = 4.5V$; $V_I = V_{IH}$ or V_{IL} ; $I_O = 12mA$ | | 0.35 | 0.55 | | 0.65 | |
| I_I | Input leakage current | $V_{CC} = 5.5V$; $V_I = V_{CC}$ or GND | | | 1.0 | | 1.0 | μA |
| I_{CC} | Quiescent supply current; SSI | $V_{CC} = 5.5V$; $V_I = V_{CC}$ or GND; $I_O = 0$ | | | 20.0 | | 40 | μA |
| ΔI_{CC} | Additional quiescent supply current | $V_{CC} = 2.7V$ to $3.6V$; $V_I = V_{CC} - 0.6V$ | | | 500 | | 850 | μA |

NOTE:

- All typical values are measured at $T_{amb} = 25^\circ C$.

勝特力材料 886-3-5753170
 勝特力电子(上海) 86-21-54151736
 勝特力电子(深圳) 86-755-83298787
[Http://www.100y.com.tw](http://www.100y.com.tw)

Hex inverting Schmitt-trigger

74LV14

TRANSFER CHARACTERISTICS

Voltages are referenced to GND (ground = 0 V)

| SYMBOL | PARAMETER | T _{amb} (°C) | | | | | UNIT | TEST CONDITIONS | |
|-----------------|---|-----------------------|------|------|-------------|------|------|---------------------|----------------|
| | | -40 TO +85 | | | -40 TO +125 | | | V _{CC} (V) | WAVEFORMS |
| | | MIN. | TYP. | MAX. | MIN. | MIN. | | | |
| V _{T+} | Positive-going threshold | - | 0.70 | - | - | - | V | 1.2 | Figure 1 and 2 |
| | | 0.8 | 1.10 | 1.4 | 0.8 | 1.4 | | 2.0 | |
| | | 1.0 | 1.45 | 2.0 | 1.0 | 2.0 | | 2.7 | |
| | | 1.2 | 1.60 | 2.2 | 1.2 | 2.2 | | 3.0 | |
| | | 1.5 | 1.95 | 2.4 | 1.5 | 2.4 | | 3.6 | |
| | | 1.7 | 2.50 | 3.15 | 1.7 | 3.15 | | 4.5 | |
| | | 2.1 | 3.00 | 3.85 | 2.1 | 3.85 | | 5.5 | |
| V _{T-} | Negative-going threshold | - | 0.34 | - | - | - | V | 1.2 | Figure 1 and 2 |
| | | 0.3 | 0.65 | 0.9 | 0.3 | 0.9 | | 2.0 | |
| | | 0.4 | 0.90 | 1.4 | 0.4 | 1.4 | | 2.7 | |
| | | 0.6 | 1.05 | 1.5 | 0.6 | 1.5 | | 3.0 | |
| | | 0.8 | 1.30 | 1.8 | 0.8 | 1.8 | | 3.6 | |
| | | 0.9 | 1.60 | 2.0 | 0.9 | 2.0 | | 4.5 | |
| | | 1.1 | 2.00 | 2.6 | 1.1 | 2.6 | | 5.5 | |
| V _H | Hysteresis (V _{T+} - V _{T-}) | - | 0.30 | - | - | - | V | 1.2 | Figure 1 and 2 |
| | | 0.2 | 0.55 | 0.8 | 0.2 | 0.8 | | 2.0 | |
| | | 0.3 | 0.60 | 1.1 | 0.3 | 1.1 | | 2.7 | |
| | | 0.4 | 0.65 | 1.2 | 0.4 | 1.2 | | 3.0 | |
| | | 0.4 | 0.70 | 1.2 | 0.4 | 1.2 | | 3.6 | |
| | | 0.4 | 0.80 | 1.4 | 0.4 | 1.4 | | 4.5 | |
| | | 0.6 | 1.00 | 1.5 | 0.6 | 1.5 | | 5.5 | |

NOTES:

1. All typical values are measured at T_{amb} = 25°C
2. The V_{IH} and V_{IL} from the DC family characteristics are superseded by the V_{T+} and V_{T-}.

AC CHARACTERISTICS

GND = 0V; t_r ≤ t_f = 2.5ns; C_L = 50pF; R_L = 1KΩ

| SYMBOL | PARAMETER | WAVEFORM | CONDITION | LIMITS | | | | UNIT | |
|-----------------------|----------------------------|----------|------------|---------------------|-----------------|------------------|----------------|------|-----|
| | | | | -40 to +85 °C | | | -40 to +125 °C | | |
| | | | | V _{CC} (V) | MIN | TYP ¹ | MAX | | MIN |
| t _{PHL} /PLH | Propagation delay nA to nY | Figure 6 | 1.2 | | 80 | | | | ns |
| | | | 2.0 | | 27 | 37 | | 48 | |
| | | | 2.7 | | 20 | 28 | | 35 | |
| | | | 3.0 to 3.6 | | 15 ² | 22 | | 28 | |
| | | | 4.5 to 5.5 | | | 18 | | 23 | |

NOTES:

1. Unless otherwise stated, all typical values are measured at T_{amb} = 25°C
2. Typical values are measured at V_{CC} = 3.3 V.

勝特力材料 886-3-5753170
勝特力电子(上海) 86-21-54151736
勝特力电子(深圳) 86-755-83298787
[Http://www.100y.com.tw](http://www.100y.com.tw)

Hex inverting Schmitt-trigger

74LV14

TRANSFER CHARACTERISTIC WAVEFORMS

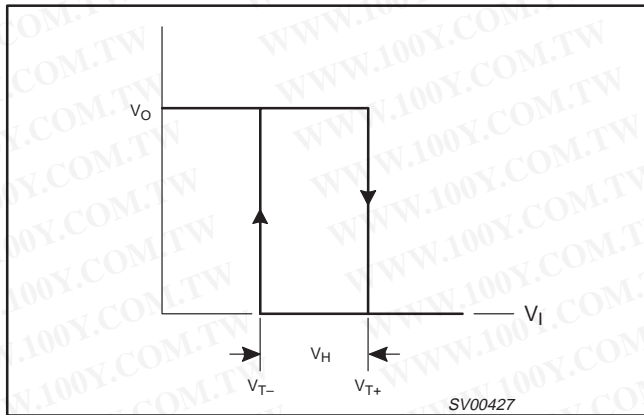


Figure 1. Transfer characteristic.

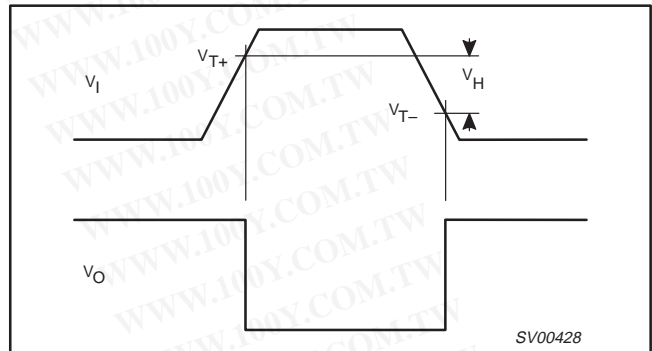


Figure 2. Definition of V_{T+} , V_{T-} and V_H ; where V_{T+} and V_{T-} are between limits of 20% and 70%

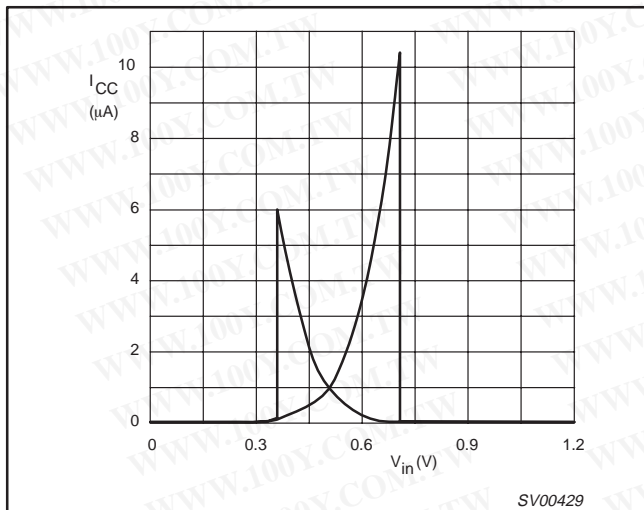


Figure 3. Typical 74LV14 transfer characteristics; $V_{CC} = 1.2V$.

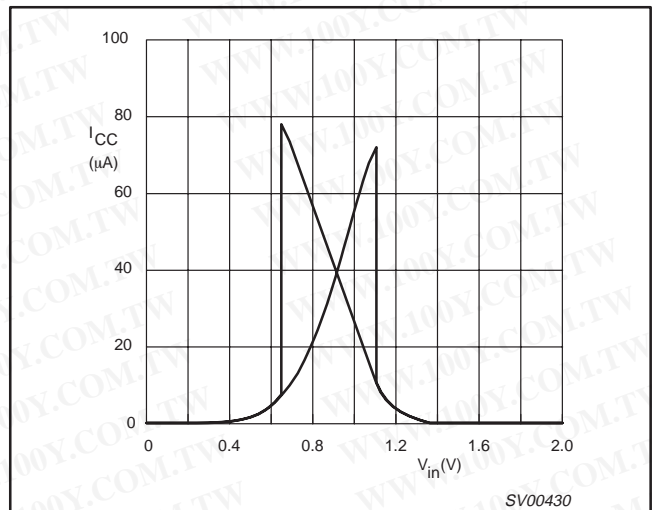


Figure 4. Typical 74LV14 transfer characteristics; $V_{CC} = 2.0V$.

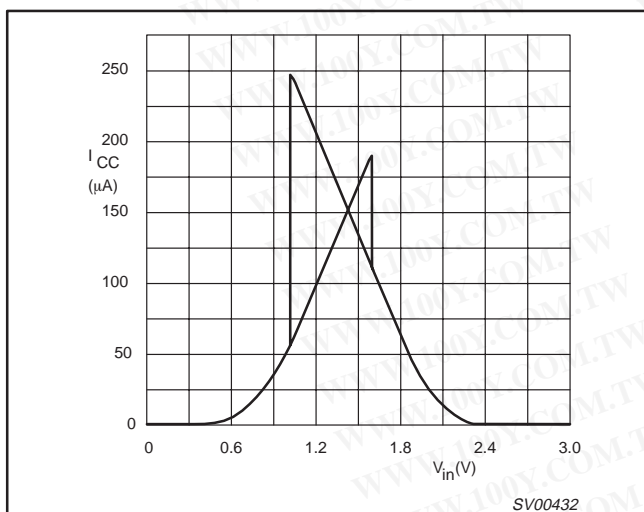


Figure 5. Typical 74LV14 transfer characteristics; $V_{CC} = 3.0V$.

AC WAVEFORMS

$V_M = 1.5 V$ at $V_{CC} \geq 2.7 V$;

$V_M = 0.5 \times V_{CC}$ at $V_{CC} < 2.7 V$

V_{OL} and V_{OH} are the typical output voltage drop that occur with the output load.

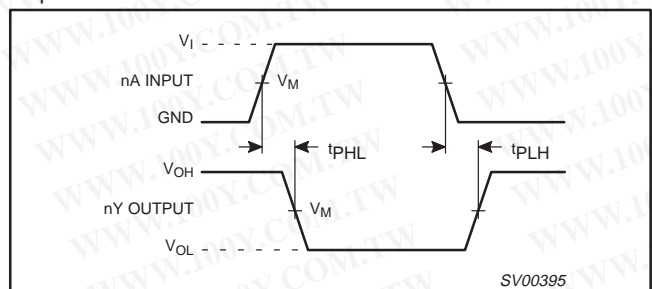


Figure 6. Input (nA) to output (nY) propagation delays.

Hex inverting Schmitt-trigger

74LV14

APPLICATION INFORMATION

The slow input rise and fall times cause additional power dissipation, this can be calculated using the following formula:

$$P_{ad} = f_i \times (t_r \times I_{CCa} + t_f \times I_{CCa}) \times V_{CC}$$

Where:

P_{ad} = additional power dissipation (μW)

f_i = input frequency (MHz)

t_r = input rise time (ns); 10% – 90%

t_f = input fall time (ns); 10% – 90%

I_{CCa} = average additional supply current (μA)

Average I_{CCa} differs with positive or negative input transitions, as shown in Figure 7.

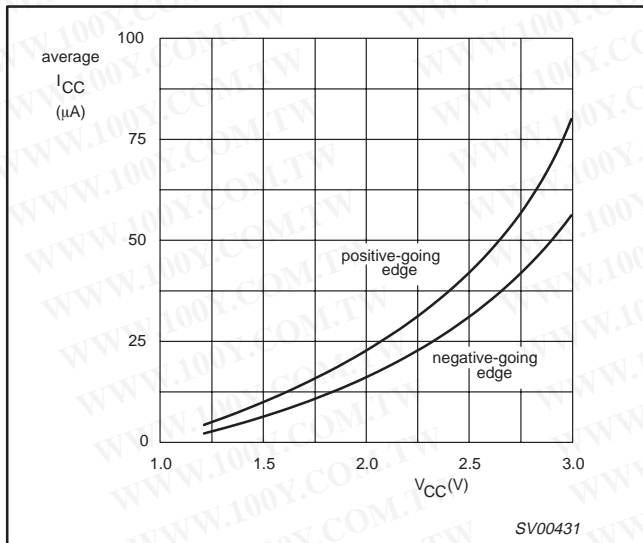


Figure 7. Average I_{CC} for LV Schmitt-trigger devices; linear change of V_I between $0.1 V_{CC}$ to $0.9 V_{CC}$.

勝特力材料 886-3-5753170
 勝特力电子(上海) 86-21-54151736
 勝特力电子(深圳) 86-755-83298787
 Http://www.100y.com.tw

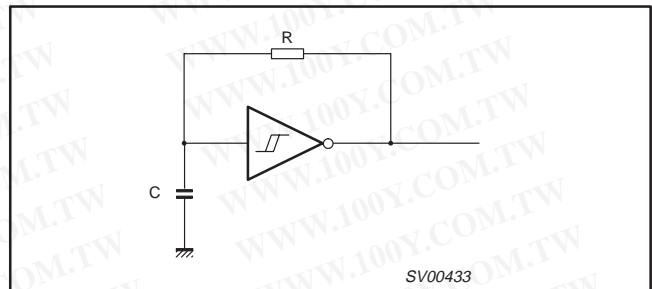


Figure 8. Relaxation oscillator using the LV14.

Note to application information:

All values given are typical unless otherwise specified.

Note to Figure 8

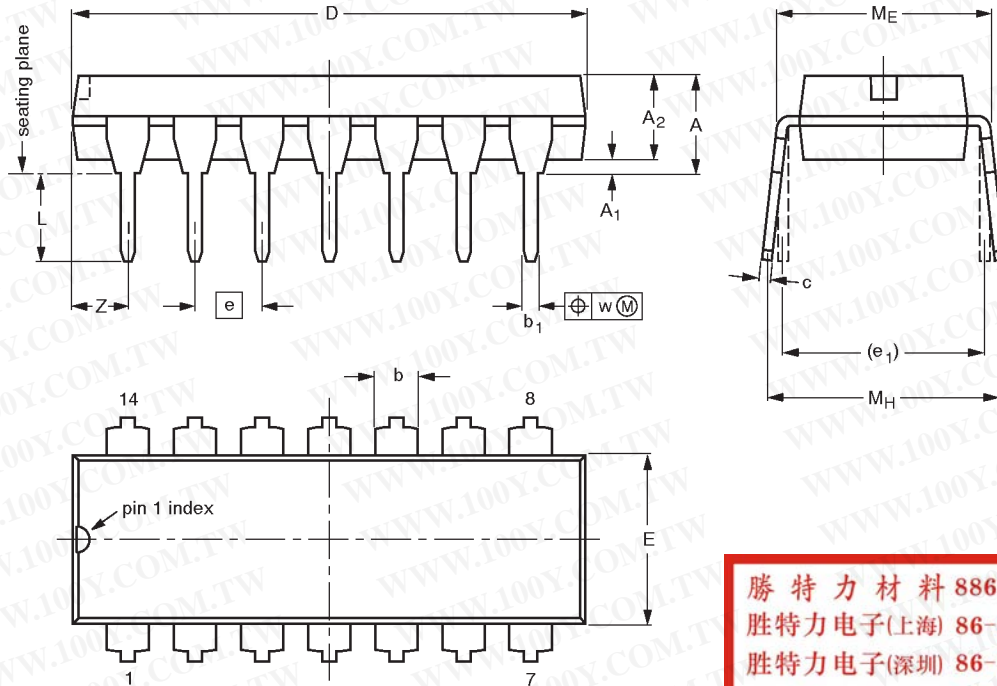
$$f = \frac{1}{T} \approx \frac{1}{0.8 \times RC}$$

Hex inverting Schmitt-trigger

74LV14

DIP14: plastic dual in-line package; 14 leads (300 mil)

SOT27-1



勝特力材料 886-3-5753170
 勝特力电子(上海) 86-21-54151736
 勝特力电子(深圳) 86-755-83298787
[Http://www.100y.com.tw](http://www.100y.com.tw)

DIMENSIONS (inch dimensions are derived from the original mm dimensions)

| UNIT | A max. | A ₁ min. | A ₂ max. | b | b ₁ | c | D ⁽¹⁾ | E ⁽¹⁾ | e | e ₁ | L | M _E | M _H | w | Z ⁽¹⁾ max. |
|--------|--------|---------------------|---------------------|----------------|----------------|----------------|------------------|------------------|------|----------------|--------------|----------------|----------------|-------|-----------------------|
| mm | 4.2 | 0.51 | 3.2 | 1.73 1.13 | 0.53 0.38 | 0.36 0.23 | 19.50 18.55 | 6.48 6.20 | 2.54 | 7.62 | 3.60 3.05 | 8.25 7.80 | 10.0 8.3 | 0.254 | 2.2 |
| inches | 0.17 | 0.020 | 0.13 | 0.068 0.044 | 0.021 0.015 | 0.014 0.009 | 0.77 0.73 | 0.26 0.24 | 0.10 | 0.30 | 0.14 0.12 | 0.32 0.31 | 0.39 0.33 | 0.01 | 0.087 |

Note

1. Plastic or metal protrusions of 0.25 mm maximum per side are not included.

| OUTLINE VERSION | REFERENCES | | | EUROPEAN PROJECTION | ISSUE DATE |
|-----------------|------------|----------|------|---------------------|----------------------|
| | IEC | JEDEC | EIAJ | | |
| SOT27-1 | 050G04 | MO-001AA | | | 92-11-17 95-03-11 |

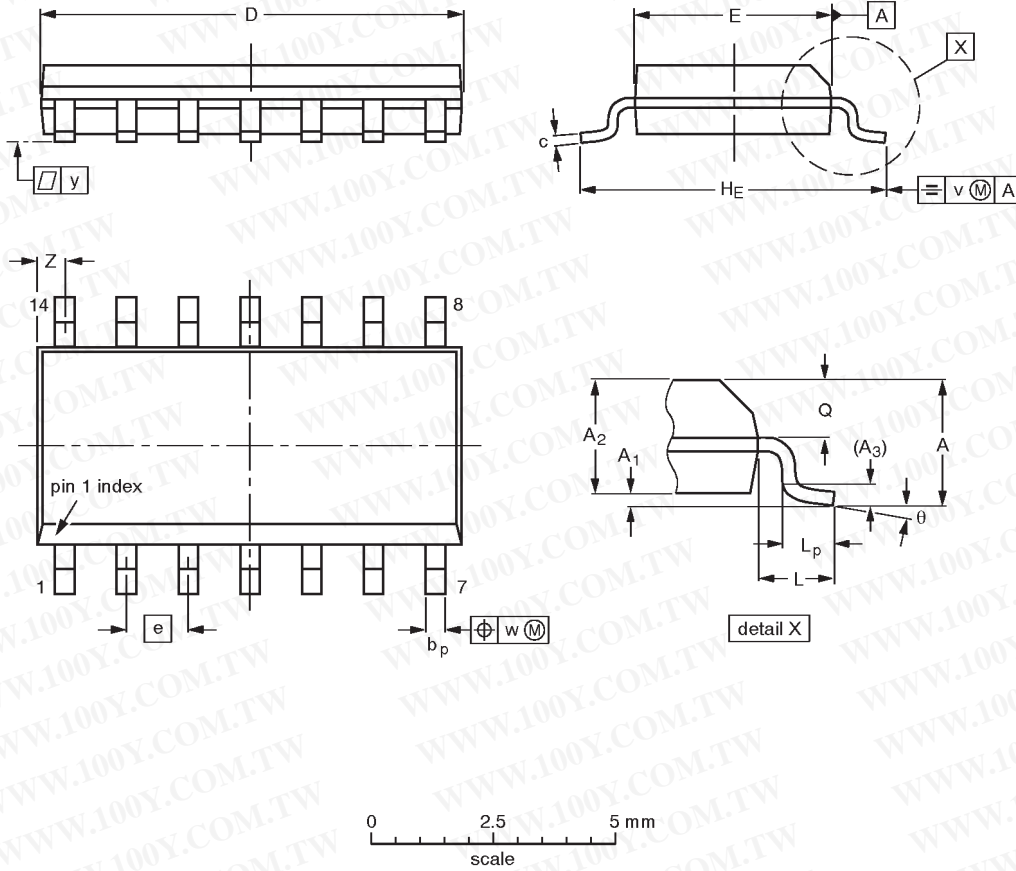
Hex inverting Schmitt-trigger

74LV14

SO14: plastic small outline package; 14 leads; body width 3.9 mm

SOT108-1

勝特力材料 886-3-5753170
 勝特力电子(上海) 86-21-54151736
 勝特力电子(深圳) 86-755-83298787
[Http://www.100y.com.tw](http://www.100y.com.tw)



DIMENSIONS (inch dimensions are derived from the original mm dimensions)

| UNIT | A max. | A ₁ | A ₂ | A ₃ | b _p | c | D ⁽¹⁾ | E ⁽¹⁾ | e | HE | L | L _p | Q | v | w | y | Z ⁽¹⁾ | θ |
|--------|--------|------------------|----------------|----------------|----------------|------------------|------------------|------------------|-------|--------------|-------|----------------|----------------|------|------|-------|------------------|----------|
| mm | 1.75 | 0.25 0.10 | 1.45 1.25 | 0.25 | 0.49 0.36 | 0.25 0.19 | 8.75 8.55 | 4.0 3.8 | 1.27 | 6.2 5.8 | 1.05 | 1.0 0.4 | 0.7 0.6 | 0.25 | 0.25 | 0.1 | 0.7 0.3 | 8° 0° |
| inches | 0.069 | 0.0098 0.0039 | 0.057 0.049 | 0.01 | 0.019 0.014 | 0.0098 0.0075 | 0.35 0.34 | 0.16 0.15 | 0.050 | 0.24 0.23 | 0.041 | 0.039 0.016 | 0.028 0.024 | 0.01 | 0.01 | 0.004 | 0.028 0.012 | |

Note

1. Plastic or metal protrusions of 0.15 mm maximum per side are not included.

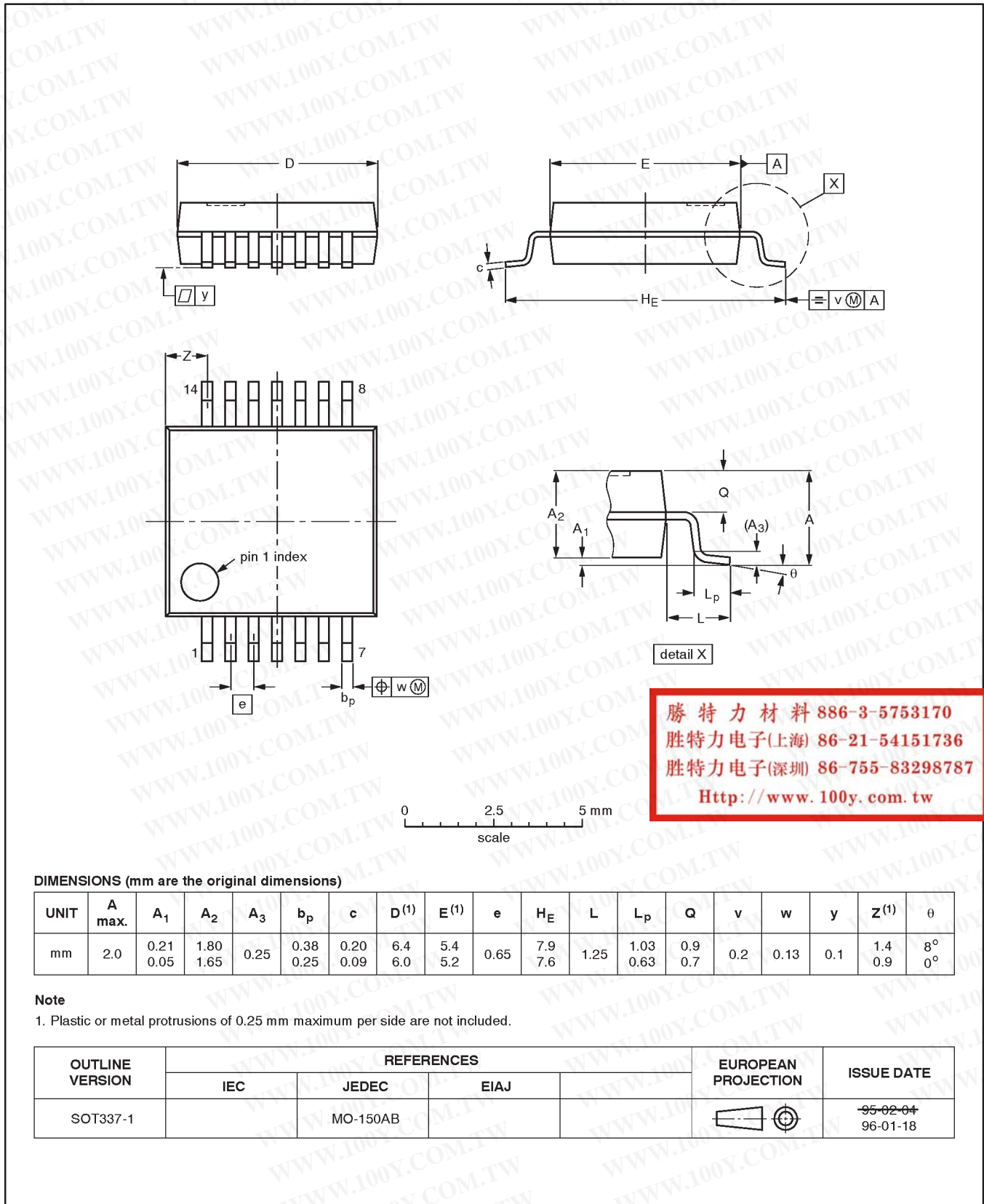
| OUTLINE VERSION | REFERENCES | | | | EUROPEAN PROJECTION | ISSUE DATE |
|-----------------|------------|----------|------|--|---------------------|----------------------|
| | IEC | JEDEC | EIAJ | | | |
| SOT108-1 | 076E06S | MS-012AB | | | | 91-08-13 95-01-23 |

Hex inverting Schmitt-trigger

74LV14

SSOP14: plastic shrink small outline package; 14 leads; body width 5.3 mm

SOT337-1



勝特力材料 886-3-5753170
 勝特力电子(上海) 86-21-54151736
 勝特力电子(深圳) 86-755-83298787
[Http://www.100y.com.tw](http://www.100y.com.tw)

DIMENSIONS (mm are the original dimensions)

| UNIT | A max. | A ₁ | A ₂ | A ₃ | b _p | c | D ⁽¹⁾ | E ⁽¹⁾ | e | H _E | L | L _p | Q | v | w | y | Z ⁽¹⁾ | θ |
|------|--------|----------------|----------------|----------------|----------------|--------------|------------------|------------------|------|----------------|------|----------------|------------|-----|------|-----|------------------|----------|
| mm | 2.0 | 0.21 0.05 | 1.80 1.65 | 0.25 | 0.38 0.25 | 0.20 0.09 | 6.4 6.0 | 5.4 5.2 | 0.65 | 7.9 7.6 | 1.25 | 1.03 0.63 | 0.9 0.7 | 0.2 | 0.13 | 0.1 | 1.4 0.9 | 8° 0° |

Note

1. Plastic or metal protrusions of 0.25 mm maximum per side are not included.

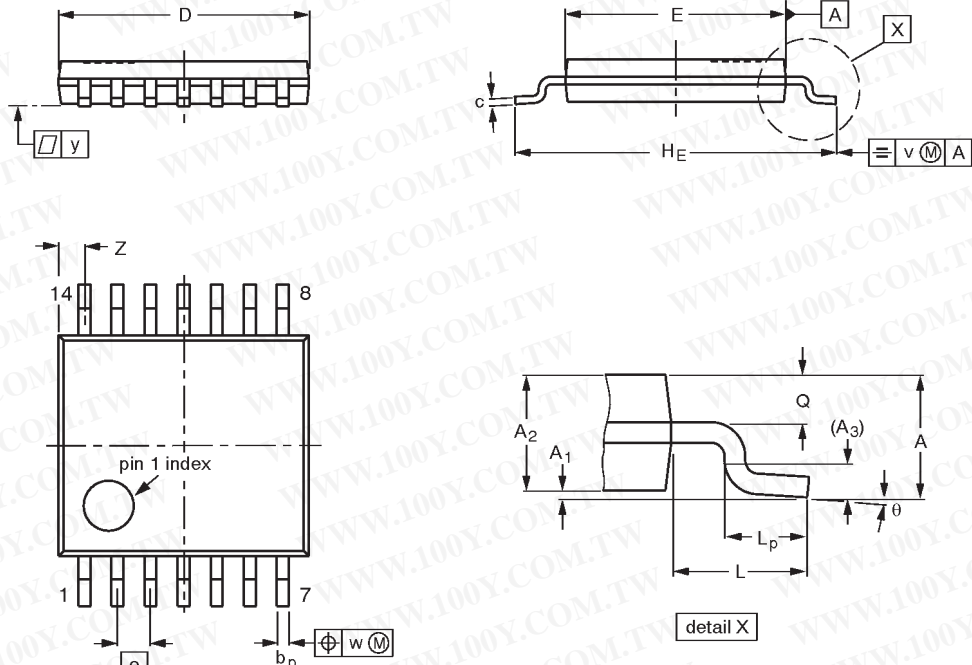
| OUTLINE VERSION | REFERENCES | | | EUROPEAN PROJECTION | ISSUE DATE |
|-----------------|------------|----------|------|---------------------|---------------------------------|
| | IEC | JEDEC | EIAJ | | |
| SOT337-1 | | MO-150AB | | | 95-02-04 96-01-18 |

Hex inverting Schmitt-trigger

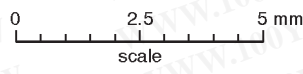
74LV14

TSSOP14: plastic thin shrink small outline package; 14 leads; body width 4.4 mm

SOT402-1



勝特力材料 886-3-5753170
 勝特力电子(上海) 86-21-54151736
 勝特力电子(深圳) 86-755-83298787
[Http://www.100y.com.tw](http://www.100y.com.tw)



DIMENSIONS (mm are the original dimensions)

| UNIT | A max. | A ₁ | A ₂ | A ₃ | b _p | c | D ⁽¹⁾ | E ⁽²⁾ | e | H _E | L | L _p | Q | v | w | y | z ⁽¹⁾ | θ |
|------|--------|----------------|----------------|----------------|----------------|------------|------------------|------------------|------|----------------|-----|----------------|------------|-----|------|-----|------------------|----------|
| mm | 1.10 | 0.15 0.05 | 0.95 0.80 | 0.25 | 0.30 0.19 | 0.2 0.1 | 5.1 4.9 | 4.5 4.3 | 0.65 | 6.6 6.2 | 1.0 | 0.75 0.50 | 0.4 0.3 | 0.2 | 0.13 | 0.1 | 0.72 0.38 | 8° 0° |

Notes

1. Plastic or metal protrusions of 0.15 mm maximum per side are not included.
2. Plastic interlead protrusions of 0.25 mm maximum per side are not included.

| OUTLINE VERSION | REFERENCES | | | | EUROPEAN PROJECTION | ISSUE DATE |
|-----------------|------------|--------|------|--|---------------------|-----------------------|
| | IEC | JEDEC | EIAJ | | | |
| SOT402-1 | | MO-153 | | | | -94-07-12 95-04-04 |

Hex inverting Schmitt-trigger

74LV14

勝特力材料 886-3-5753170
 勝特力电子(上海) 86-21-54151736
 勝特力电子(深圳) 86-755-83298787
 Http://www.100y.com.tw

DEFINITIONS

| Data Sheet Identification | Product Status | Definition |
|----------------------------------|-------------------------------|--|
| <i>Objective Specification</i> | Formative or in Design | This data sheet contains the design target or goal specifications for product development. Specifications may change in any manner without notice. |
| <i>Preliminary Specification</i> | Preproduction Product | This data sheet contains preliminary data, and supplementary data will be published at a later date. Philips Semiconductors reserves the right to make changes at any time without notice in order to improve design and supply the best possible product. |
| <i>Product Specification</i> | Full Production | This data sheet contains Final Specifications. Philips Semiconductors reserves the right to make changes at any time without notice, in order to improve design and supply the best possible product. |

Philips Semiconductors and Philips Electronics North America Corporation reserve the right to make changes, without notice, in the products, including circuits, standard cells, and/or software, described or contained herein in order to improve design and/or performance. Philips Semiconductors assumes no responsibility or liability for the use of any of these products, conveys no license or title under any patent, copyright, or mask work right to these products, and makes no representations or warranties that these products are free from patent, copyright, or mask work right infringement, unless otherwise specified. Applications that are described herein for any of these products are for illustrative purposes only. Philips Semiconductors makes no representation or warranty that such applications will be suitable for the specified use without further testing or modification.

LIFE SUPPORT APPLICATIONS

Philips Semiconductors and Philips Electronics North America Corporation Products are not designed for use in life support appliances, devices, or systems where malfunction of a Philips Semiconductors and Philips Electronics North America Corporation Product can reasonably be expected to result in a personal injury. Philips Semiconductors and Philips Electronics North America Corporation customers using or selling Philips Semiconductors and Philips Electronics North America Corporation Products for use in such applications do so at their own risk and agree to fully indemnify Philips Semiconductors and Philips Electronics North America Corporation for any damages resulting from such improper use or sale.

Philips Semiconductors
 811 East Arques Avenue
 P.O. Box 3409
 Sunnyvale, California 94088-3409
 Telephone 800-234-7381

© Copyright Philips Electronics North America Corporation 1998
 All rights reserved. Printed in U.S.A.

print code

Date of release: 05-96

Document order number:

9397-750-04409

Let's make things better.