



## 6834FO 100W GZ6.35 12V 1CT

Product family description  
Quartz halogen lamps with integral reflector

### Product Features

- Optimised for use in fibre optic systems, but also suitable for numerous other applications

### Application

- Fibre optic equipment such as:
- Endoscopes
- Boroscopes
- Machine vision
- Pool lighting
- Architectural lighting
- Reading lights
- All kinds of optical applications

Product data	
Product Number	314880
Full product name	6834FO 100W GZ6.35 12V 1CT
Ordering Code	EFP
Pack type	1 Carton
Pieces per Sku	1
Skus/Case	50
Pack UPC	8711500409737
EAN2US	
Case Bar Code	8711500419392
Successor Product number	
ANSI Code	-
Cap- Base	GZ6.35
Bulb	R50
Operating Position	s115
Main Application	Projection
Packing Type	1CT [1 Carton]

Product data	
Packing Configuration	10X5F
Life to 50% failures	50 hr
Pack UPC	8711500409737
Case Bar Code	8711500419392
Ordering Code	EFP
Lamp Wattage Rated	100W
Luminous Intensity	- cd
Colour Rendering Index	100 Ra8
Overall Length C	42 mm
Diameter D	
Case Height	4.000 in
Case Length	12.000 in
Case Width	10.000 in
Product Number	314880
Pack Height	2.200 in
Pack Length	1.800 in
Pack Weight	0.060 in
Pack Width	1.800 in



XHFODI GZ6.35

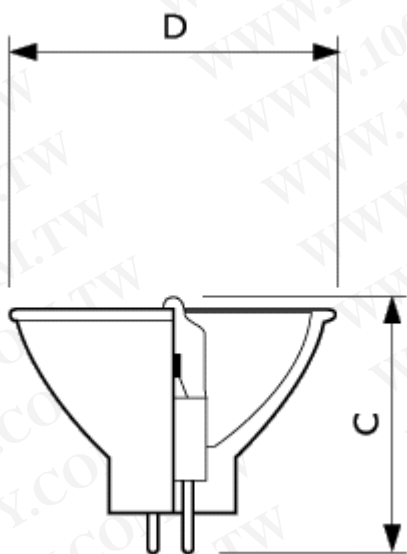


Cap- Base GZ6.35

勝特力材料 886-3-5753170  
 勝特力电子(上海) 86-21-54151736  
 勝特力电子(深圳) 86-755-83298787  
[Http://www.100y.com.tw](http://www.100y.com.tw)



Operating Position s115



XHFODI GX5.3/GZ6.35

	C	D
Full product name	Max	Max
6834FO 100W	42	50
GZ6.35 12V 1CT		

