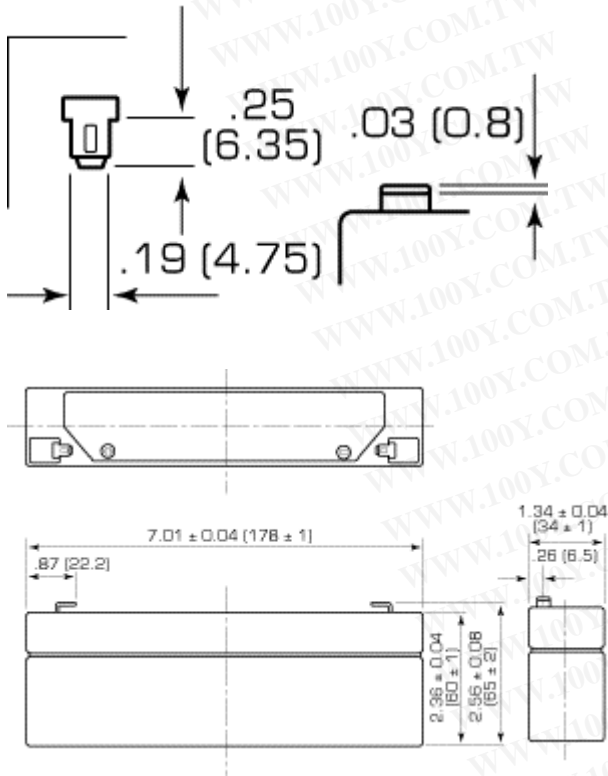


## PE12V2.2



### Dimensions



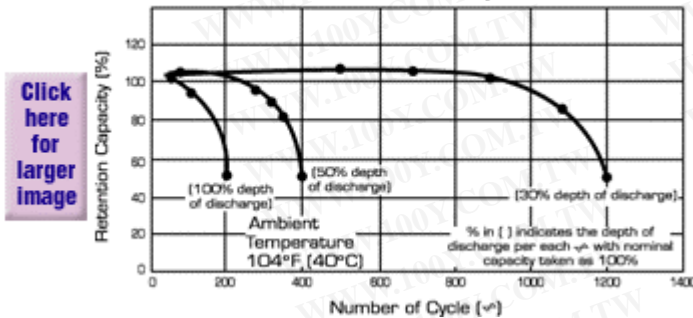
## Rechargeable Sealed Lead Acid Battery Specifications

|   |   |   |
|---|---|---|
| 1 | Nominal Voltage                                   | 12V   |
| 2 | Nominal Capacity                                  | 0.05C (.11A to 10.50V) 2.2 AHr<br>0.1C (.22A to 10.50V) 1.98 AHr<br>0.2C (.44A to 10.20V) 1.72 AHr<br>1C (2.2A to 9.00V) 1.44 AHr |
| 3 | Weight (Approx.)                                  | 2.15 lbs. (0.93 kg)   |
| 4 | Dimensions  | Length 7.01" (178mm)<br>Width 1.34" (34mm)<br>Height 2.35" (60mm)<br>Total Height 2.55" (65mm)<br>includes terminals              |
| 5 | Internal Resistance of fully charged battery      | 55 milliohms  |
| 6 | Energy Density (0.05C)                            | 1.19 Watt-hours/cubic inch<br>(72.7 Watt-hours/ℓ)   |
| 7 | Specific Energy (0.05C)                           | 12.9 Watt-hours/pound<br>(28.4 Watt-hours/ℓ)  |
| 8 | Maximum Discharge Current with standard terminals | 13.2 amperes  |
| 9 | Maximum Short Duration Discharge Current (less    | 33 amperes  |

|   |                               |   |
|---|-------------------------------|---|
|   | than 5 sec.)                  |   |
| 10  | Vibration Test                | (2000 cycles/minute, 0.10 inch excursion, 2 hours)<br>No loss in capacity or performance                            |
| 11  | Charge Retention (shelf life) | % of nominal capacity at 77°F (25°C)<br><br>1 month 97%<br>3 months 91%<br>6 months 85%                             |
| 12  | Operating Temperature Range   | Charge 32°F (0°C) to 104°F (40°C)<br>Discharge -4°F (-20°C) to 122°F (50°C)<br>Storage -4°F (-20°C) to 104°F (40°C) |
| 13  | Case Material                 | Synthetic resin (ABS)   |
| 14  | Standard Terminal             | F1: AMP Faston type 187   |
| <b>CHARGING METHODS</b><br><br><b>CYCLIC USE:</b><br>Maximum Initial Charge Current: 1.75A<br>Charging Voltage: 14.4V-14.7V<br>Charge should be switched to float mode or disconnected when current drops to 70mA.<br><br><b>STANDBY USE:</b><br>Maximum Initial Charge Current: 1.75A<br>Charge Voltage: 13.5V-13.8V |                               |   |

**勝特力材料 886-3-5753170**  
**勝特力电子(上海) 86-21-54151736**  
**勝特力电子(深圳) 86-755-83298787**  
[Http://www.100y.com.tw](http://www.100y.com.tw)

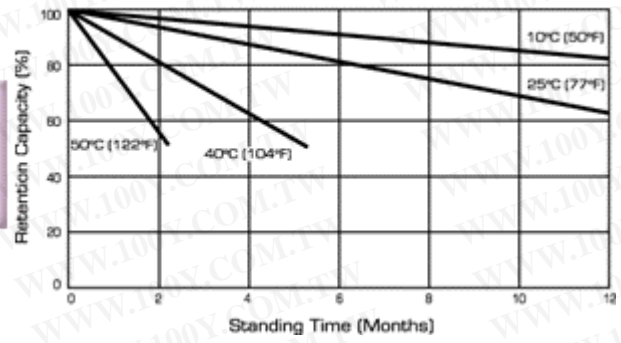
Life Characteristics of Cyclic Use



Click here for larger image

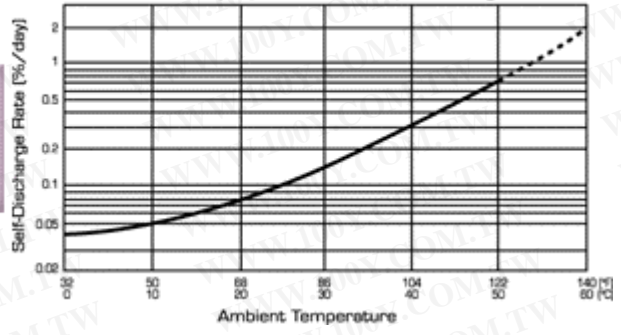
### Shelf Life Characteristics

Click here for larger image



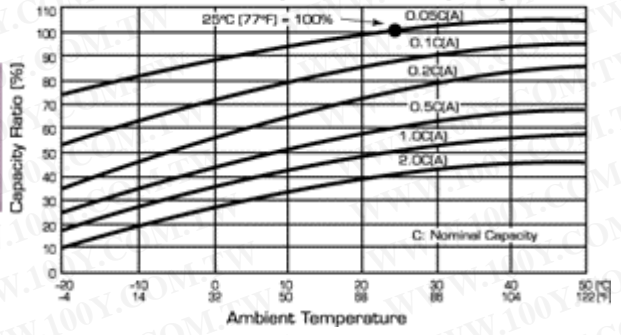
Click here for larger image

### Effect of Temperature on Self-Discharge Rate



Click here for larger image

### Effect on Temperature on Capacity



勝特力材料 886-3-5753170  
 勝特力电子(上海) 86-21-54151736  
 勝特力电子(深圳) 86-755-83298787  
[Http://www.100y.com.tw](http://www.100y.com.tw)