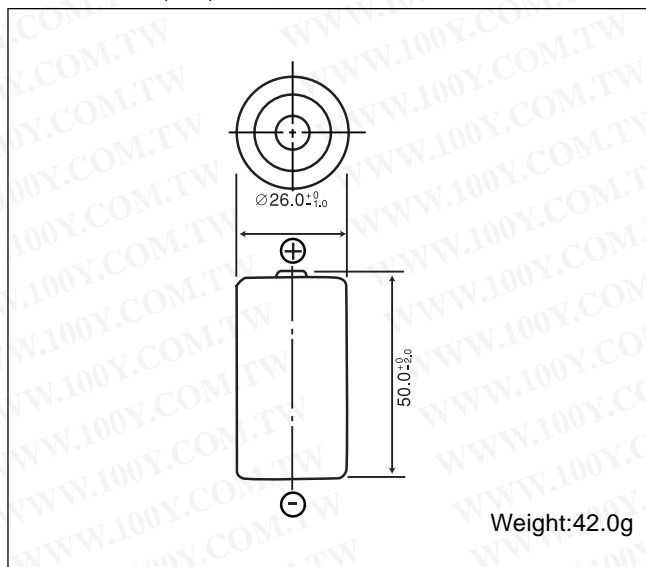


Poly-carbonmonofluoride Lithium Batteries: Individual Specifications

BR-C

■ Dimensions(mm)

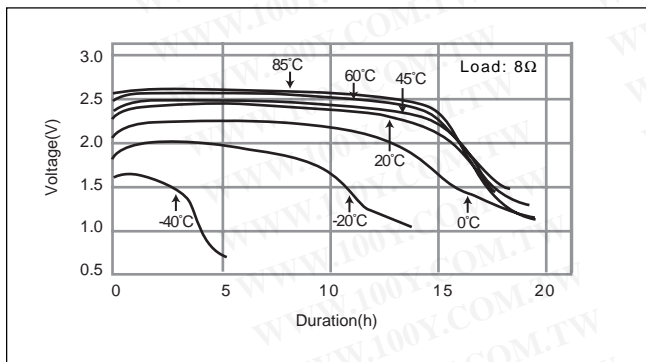


勝特力材料 886-3-5753170
 勝特力电子(上海) 86-21-54151736
 勝特力电子(深圳) 86-755-83298787
[Http://www.100y.com.tw](http://www.100y.com.tw)

■ Specification

Nominal voltage (V)	3
Nominal capacity (mAh)	5,000
Continuous standard load (mA)	150
Operating temperature (C)	-40 ~ +85

■ Temperature Characteristics



■ Operating voltage vs. Discharge current(voltage at 50% discharge depth)

