

Panasonic ideas for life

勝特力材料 886-3-5753170
勝特力电子(上海) 86-21-54151736
勝特力电子(深圳) 86-755-83298787
[Http://www.100y.com.tw](http://www.100y.com.tw)

Short Form Catalog 2006/2007

International English



Batteries for OEM Customers

Ni-MH, Li-Ion, Ni-Cd, Lithium, VRLA, Zinc Carbon, Alkaline, Memory Cards, Battery Packs



勝特力材料 886-3-5753170
 勝特力电子(上海) 86-21-54151736
 勝特力电子(深圳) 86-755-83298787
[Http://www.100y.com.tw](http://www.100y.com.tw)

PIE Branch
Hamburg

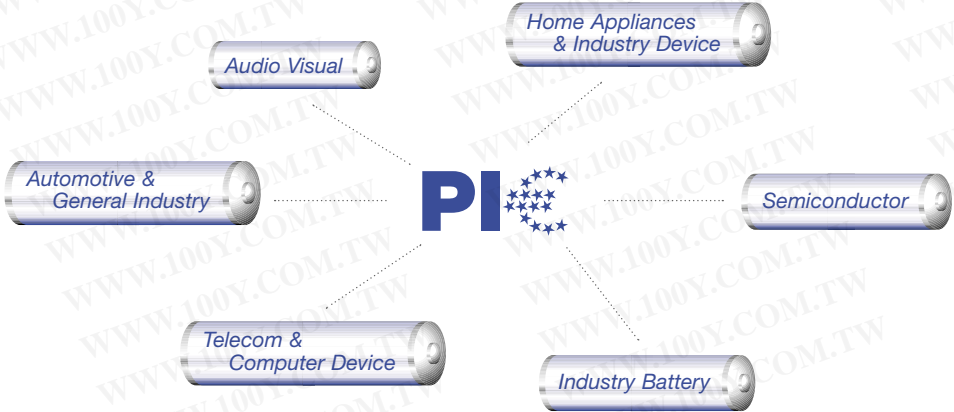
Panasonic Industrial Europe

Find out how we can power your business!

Matsushita Electric Industrial Co. Ltd., founded in Osaka 1918, is one of the world's largest manufacturers of quality electronic and electrical equipment. Its subsidiary, Panasonic Industrial Europe GmbH (PIE) deals with a wide diversified range of industrial products for all European coun-

tries. This company was formed in 1998 to strengthen Panasonic's pan-European industry operation, and today is active in such different business fields as Car Electronics, Components, Consumer Batteries, OEM/Industrial Batteries etc. to satisfy its customer's needs.

PIE Organisation



勝特力材料 886-3-5753170
勝特力电子(上海) 86-21-54151736
勝特力电子(深圳) 86-755-83298787
[Http://www.100y.com.tw](http://www.100y.com.tw)

The Industry Battery Unit (IBU) is responsible for the OEM/Industrial Battery business in Europe, with sales offices strategically located throughout the continent. The head office, located in Germany (Hamburg), is responsible for Central Europe (Germany, Benelux, Swiss, Austria, Scandinavia) and Eastern Europe. The UK/Ireland (Bracknell), France (Paris), Italy (Milano) and Spain (Barcelona) are supported by local offices. In addition, we are able to offer an extensive distributor network. Based on both of these sales channels we are capable of supplying each customer's own power solution.

Find out how we can power your business!

We are able to offer you a wide range of individual power solutions for portable and stationary applications. Our product range includes high reliability batteries such as Lithium-Ion, Lithium, Nickel-Metal Hydrid, Nickel-Cadmium, Valve Regulated Lead Acid, Alkaline and Zinc Carbon. Based on this battery range we can power your business in virtually all applications.

Such as:

- *Mobile Phones* → *Powertools*
- *UPS* → *Measuring Devices*
- *Keyless Entry* → *Personal Care*
- *Vacuum Cleaner* → *Price Tags*
- *Medical Equipment*
- *Electronic toll collect system*
- *Portable communication devices*
- *Communication infrastructure*
- *RFID Tags* → *Wind Turbines*
- *Memory backup applications*

Quality Commitment

Panasonic Batteries – safety, long-life and power!

Matsushita Batteries Industrial (MBI) started its production of Panasonic batteries in 1931. Today MBI is one of the most diversified global battery manufacturers with a network of 23 manufacturing companies in 15 countries. More than 16,000 employees are dedicated to the invention and development of new batteries for a new world.

When it comes to production our facilities employ leading edge manufacturing processes meeting the best quality standards. Our factories are certified to ISO standards. This means that each factory has its own quality and environmental management. The ISO 9000 and ISO 14000 series are the minimum benchmarks that ensure our excellent product reliability. In addition our VRLA batteries are for example approved to German VdS standard and U.S. UL standard.



Nickel Metal Hydride

Rechargeable
1.2V

勝特力材料 886-3-5753170
勝特力电子(上海) 86-21-54151736
勝特力电子(深圳) 86-755-83298787
Http://www.100y.com.tw



Cylindrical

Diameter	Size	IEC	Model Number	Nominal Voltage (V)	Discharge Capacity ¹ (mAh)		Dimensions with Tube (mm)		Approx. Weight (g)
					Average ²	Rated (Min.)	Diameter	Height	
AAA	AAA	HR11/45	HHR-70AAA/FT	1.2	730	700	10.5 +0/-0.7	44.5 +0/-1.0	12
			HHR-75AAA/HT ³						
			HHR-80AAA/HT ³						
AA	2/3AA	-	HHR-35AA/FT		390	350	14.5 +0/-0.7	28.5 +0/-1.0	10.5
	4/5AA	HR15/43	HHR-120AA/FT		1,220	1,150		43.0 +0/-1.0	23
			HHR-70AA/FT		780	700		48.8 +0/-1.5	21
	HHR-70AA/HT ⁴								
	AA	HR15/51	HHR-110AA/FT		1,180	1,100		50.5 +0/-1.5	26
			HHR-150AA/FT		1,580	1,500		50.0 +0/-1.0	
			HHR-210AA/HT ⁴		2,080	2,000		50.5 +0/-1.0	
A	4/5A	HR17/43	HHR-200A/FT	2,040	2,000	17.0 +0/-0.7	43.0 +0/-1.5	32	
	A	HR17/50	HHR-210A/FT	2,200	2,100		50.0 +0/-1.5	38	
		HR17/67	HHR-380A/FT ⁵	3,800	3,700		67.0 +0/-1.5	53	
	LFat/A	-	HHR-450A/FT ⁵	4,500	4,200		18.2 +0/-0.7	60	
SC	4/5SC	-	HHR-200SCP/FT ⁶	2,100	1,900	23.0 +0/-1.0	34.0 +0/-1.5	42	
	SC	HR23/43	HHR-260SCP/FT ⁶	2,600	2,450		43.0 +0/-1.5	55	
			HHR-300SCP/FT ⁶	3,050	2,800		43.0 +0/-1.5	57	
D	D	HR33/62	HHR-650D/FT ⁶	6,800	6,500	33.0 +0/-1.0	60.8 +0/-2.0	170	
			HHR-900D/FT ⁶	9,000	8,250		61.0 +0/-1.5		

¹ After charging at 0.1 CmA for 16 hours, discharging at 0.2 CmA.

⁴ Compatible with consumer AA size.

² For reference only.

⁵ Mainly for PC applications.

³ Compatible with consumer AAA size.

⁶ For high power use applications such as power tools.

Cylindrical for back-up use

Diameter	Size	IEC	Model Number	Nominal Voltage (V)	Discharge Capacity ¹ (mAh)		Dimensions with Tube (mm)		Approx. Weight (g)
					Average ²	Rated (Min.)	Diameter	Height	
AAA	AAA	HR11/45	HHR-60AAAH/FT	1.2	550	500	10.5 +0/-0.7	44.5 +0/-1.0	13
A	A	HR17/50	HHR-210AH/FT		2,050	1,900	17.0 +0/-0.7	50.0 +0/-1.5	38
	LFat/A	-	HHR-370AH/FT		3,700	3,500	18.2 +0/-0.7	67.0 +0/-1.5	60
		-	HHR-330APH/FT		3,300	3,200			
SC	SC	HR23/43	HHR-250SCH/FT		2,650	2,500	23.0 +0/-1.0	43.0 +0/-1.5	55
C	C	HR26/50	HHR-300CH/FT		3,300	3,100	26.0 +0/-1.0	50.0 +0/-2.0	80
F	F	HR33/90	HHR-1100FH/FT		12,000	11,000	33.0 +0/-1.0	91.0 +0/-1.5	240
V	V	-	HHR-1000VH/FT ⁷	95,000	90,000	62.0 +0/-1.0	175.0 +0/-2.0	1,620	

¹ After charging at 0.1 CmA for 16 hours, discharging at 0.2 CmA.

² For reference only.

⁷ Customer specification is required.

Prismatic / E-Block

Diameter	IEC	Model Number	Nominal Voltage (V)	Discharge Capacity ¹ (mAh)		Dimensions with Tube (mm)			Approx. Weight (g)
				Average ²	Rated (Min.)	Width	Height	Thickness	
E-Block	-	P-169V	8.4	170	160	26.0	48.5	16.3	42

¹ After charging at 0.1 CmA for 16 hours, discharging at 0.2 CmA.

² For reference only.

FT = Flat Top / HT = High Top

Battery performance and cycle life are strongly affected by how they are used.

In order to maximize battery safety, please consult Panasonic when determining charge/discharge specs, warning label contents and unit design.

勝特力材料 886-3-5753170
 勝特力电子(上海) 86-21-54151736
 勝特力电子(深圳) 86-755-83298787
[Http://www.100y.com.tw](http://www.100y.com.tw)



Cylindrical Single Cell

Model Number	Nominal Voltage (V)	Typical Capacity ^{*1} (mAh)	Dimensions (mm)		Approx. Weight (g)
			Diameter	Height	
CGR-17360	3.6	730	16.9 +0/-0.7	36.0 + 0/-2.0	19
CGR-18500		1,500	18.6 + 0/-0.7	50.0 + 0/-1.0	33
CGR-18650AF "PSS"		2,050	18.6 + 0/-0.7	65.2 + 0/-1.0	43.5
CGR-18650CF "PSS"		2,250			44
CGR-18650D		2,350			45
CGR-18650DA "PSS"		2,450			
CGR-18650E		2,550			46.5

*1 4.2 V charge

Prismatic Single Cell

Model Number	Nominal Voltage (V)	Typical Capacity ^{*1} (mAh)	Dimensions (mm)			Approx. Weight (g)
			Width	Height	Thickness	
CGA-103446 "PSS"	3.6	1,800	34.0 +0/-0.6	46.0 + 0/-1.0	10.5 +0/-0.6	35.5
CGA-103450A		1,950		50.0 + 0/-1.0		40
CGA-363443		605	43.0 + 0/-1.0	3.6 +0/-0.6	12.5	
CGA-523436B		760	36.0 + 0/-1.0	5.2 +0/-0.6	14.5	
CGA-523450C		1,030			20	
CGA-612634		565	26.0 +0/-0.6	34.0 + 0/-1.0	6.1 +0/-0.6	12
CGA-633450B		1,200	34.0 +0/-0.6	50.0 + 0/-1.0	6.3 +0/-0.6	24
CGA-752836		835	28.0 +0/-0.6	36.0 + 0/-1.0	7.5 +0/-0.6	17
CGA-772530		600	25.0 +0/-0.6	30.0 + 0/-1.0	7.7 +0/-0.6	13
CGA-843436		1,150	34.0 +0/-0.6	36.0 + 0/-1.0	8.4 +0/-0.6	23

*1 4.2 V charge

Battery Pack (Prismatic inside)



Model Number	Nominal Voltage (V)	Typical Capacity (mAh)	Dimensions with tube (mm)			Approx. Weight (g)
			Width	Height	Thickness	
CGA-7/115	3.6	1,200	35.2 + 0.3 /-0.3	53.0 + 0.3 /-0.3	7.0 + 0.3 /-0.3	30
CGA-E/111		1,950			11.0 + 0.3 /-0.3	44

Caution:

The products detailed above are for introductory purposes only. We regret to advise that we are unable to support single cell business or accept orders from members of the public. Due to the need for careful review when selecting Lithium Ion battery solutions please contact your local Panasonic Sales Office.

Battery performance and cycle life are strongly affected by how they are used.

In order to maximize battery safety, please consult Panasonic when determining charge/discharge specs, warning label contents and unit design.

Nickel Cadmium Batteries



勝特力材料 886-3-5753170
 勝特力电子(上海) 86-21-54151736
 勝特力电子(深圳) 86-755-83298787
[Http://www.100y.com.tw](http://www.100y.com.tw)



For Cycle Use Applications

Diameter	Size	IEC	Model Number	Nominal Voltage (V)	Discharge Capacity ¹ (mAh)		Dimensions with Tube (mm)		Approx. Weight (g)
					Average ²	Rated (Min.)	Diameter	Height	
SC	4/5SC	KR23/34	P-120SCJS/FT ³	1.2	1,350	1,200	22.5 ± 0.5	33.0 ± 0.5	37
SC	SC	KR23/43	P-130SCS/FT ³		1,450	1,300		42.0 ± 0.5	44
			P-140SCS/FT ³		1,550	1,400			
			P-150SCS/FT ³		1,600	1,500			
			P-170SCS/FT ³		1,800	1,700			
			P-200SCS/FT ³		2,100	2,000			
C	C	KR26/50	P-280CS/FT ³		3,000	2,800		25.8 + 0/-1.0	50.0 + 0/-1.5
D	D	KR33/62	P-500DS/FT ³	5,500	5,000	33.0 + 0/-1.0	61.0 + 0/-1.5	145	

¹ 0.2 CmA discharge capacity after charging at 0.1 CmA for 16 hours.

² For reference only.

³ For high power use applications such as power tools.

Ni-Cd / Ni-MH Battery Charger

ETYMD282SE3K

- This product is designed to charge battery packs from 4 to 24 cells.
- The charger is optimized for Panasonic batteries.
- 3 charge detection criteria: -dU, dT/dt, Tmax
- Charge current: 2.0A DC

For more technical information please contact Panasonic.



FT = Flat Top
 HT = High Top

Battery performance and cycle life are strongly affected by how they are used. In order to maximize battery safety, please consult Panasonic when determining charge/discharge specs, warning label contents and unit design.

Lithium Cylindrical Type

**Primary
3V**

勝特力材料 886-3-5753170
 勝特力电子(上海) 86-21-54151736
 勝特力电子(深圳) 86-755-83298787
[Http://www.100y.com.tw](http://www.100y.com.tw)



Poly Carbonmonofluoride (BR Series) Lithium

Model Number ¹	Electrical Characteristics at 20 °C			Dimensions (mm)		Approx. Weight (g)	IEC
	Nominal Voltage (V)	Nominal ² Capacity (mAh)	Continuous Standard Drain (mA)	Diameter	Height		
BR-1/2AA ³	3	1,000	2.5	14.5	25.5	8.0	-
BR-AA ³ (X)		2,500			50.5	15.0	
BR-2/3A		1,200		17.0	33.5	13.5	BR17335
BR-2/3AG		1,450	45.5		18.0		
BR-A		1,800	5.0	26.0	50.5	42.0	-
BR-AG		2,200					
BR-C		5,000					

¹ G indicates higher capacity versions.

² Based on standard drain and cut off voltage down to 2.0 V at 20 °C.

³ This cell is only available with assembled tab.

(X) under development

**Primary
3V·6V**



Manganese Dioxide (CR Series) Lithium

Model Number	Electrical Characteristics at 20 °C			Dimensions (mm)		Approx. Weight (g)	IEC
	Nominal Voltage (V)	Nominal ¹ Capacity (mAh)	Continuous Standard Drain (mA)	Diameter	Height		
CR-2	3	850	20	15.6	27.0	11.0	CR15H270
CR-123A				17.0	34.5	17.0	CR17345
2CR-5		6		1,400	34.0 ²	45.0	36.0
CR-P2	35.0 ²		36.0		37.0	CR-P2	
CR-AG	3	2,400	2.5	17.0	45.5	22.0	CR17450
CR-AAZ (X)		1,650		14.5	50.5	19.0	CR14500
CR-2/3AZ (X)		1,400		17.0	33.5	17.0	CR17335

¹ Based on standard drain and cut off voltage down to 2.0 V at 20 °C...CR2/CR123A.

² Width

Based on standard drain and cut off voltage down to 4.0 V at 20 °C...2CR5/CR-P2.

(X) under development

**Primary
3V·6V**



Manganese Dioxide (CR Series) Lithium

Model Number	Nominal Voltage (V)	Nominal Capacity (mAh)	Continuous Standard Drain (mA)	Dimensions (mm)	Approx. Weight (g)	IEC
CR-V3	3	3,300 ¹	200	29.0 x 14.5 x 52.0 (W) x (T) x (H)	39.0	-

¹ Based on standard drain and cut off voltage down to 2.0 V at 20 °C

² Based on standard drain and cut off voltage down to 4.0 V at 20 °C

**Primary
3V**



Pin Type Poly Carbonmonofluoride (BR Series) Lithium

Model Number	Electrical Characteristics at 20 °C			Dimensions (mm)		Approx. Weight (g)	IEC
	Nominal Voltage (V)	Nominal ¹ Capacity (mAh)	Continuous Standard Drain (mA)	Diameter	Height		
BR-425	3	25	0.5	4.2	25.9	0.60	-
BR-435		50	1.0		35.9		

¹ Based on standard drain and cut off voltage down to 2.0 V at 20 °C

**Primary
3V**

勝特力材料 886-3-5753170
 勝特力电子(上海) 86-21-54151736
 勝特力电子(深圳) 86-755-83298787
[Http://www.100y.com.tw](http://www.100y.com.tw)



Poly Carbonmonofluoride (BR Series) Lithium

Model Number ¹	Electrical Characteristics at 20 °C			Dimensions (mm)		Approx. Weight (g)	IEC
	Nominal Voltage (V)	Nominal ¹ Capacity (mAh)	Continuous Standard Drain (mA)	Diameter	Height		
BR-1220	3	35	0.03	12.5	2.0	0.7	-
BR-1225		48			2.5	0.8	BR1225
BR-1632		120		16.0	3.2	1.5	-
BR-2032		190			20.0	2.5	2.5
BR-2325		165		23.0	2.5	3.2	BR2325
BR-2330		255			3.0		-
BR-3032		500		30.0	3.2	5.5	BR3032

¹ Based on standard drain and cut off voltage down to 2.0 V at 20 °C.

Poly Carbonmonofluoride (BR Series) Lithium for High Temperature Usage

Model Number	Electrical Characteristics at 20 °C			Dimensions (mm)		Approx. Weight (g)	IEC
	Nominal Voltage (V)	Nominal ¹ Capacity (mAh)	Continuous Standard Drain (mA)	Diameter	Height		
BR-1225A	3	48	0.03	12.5	2.5	0.8	-
BR-1632A		120		16.0	3.2	1.5	
BR-2330A		255		23.0	3.0	3.2	
BR-2450A		600		24.5	5.0	5.9	
BR-2477A		1,000			7.7	8.0	

¹ Based on standard drain and cut off voltage down to 2.0 V at 20 °C.

Manganese Dioxide (CR Series) Lithium

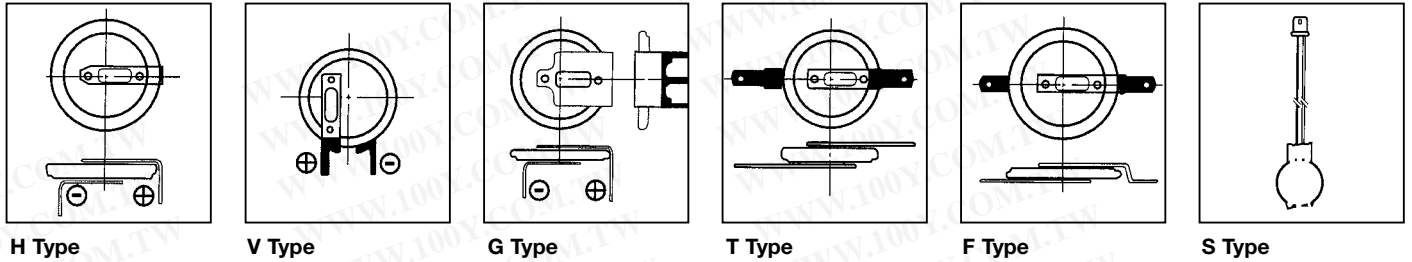
Model Number	Electrical Characteristics at 20 °C			Dimensions (mm)		Approx. Weight (g)	IEC
	Nominal Voltage (V)	Nominal ¹ Capacity (mAh)	Continuous Standard Drain (mA)	Diameter	Height		
CR-1025	3	30	0.10	10.0	2.5	0.7	CR1025
CR-1216		25		12.5	1.6		CR1216
CR-1220		35			2.0	1.2	CR1220
CR-1612		40		16.0	1.2	0.8	-
CR-1616		55			1.6	1.2	CR1616
CR-1620		75			2.0	1.3	CR1620
CR-1632		140			3.2	1.8	-
CR-2012		55		20.0	1.2	1.4	CR2012
CR-2016		90			1.6	1.6	CR2016
CR-2025		165	2.5		2.5	CR2025	
CR-2032		220	23.0	3.2	3.1	CR2032	
CR-2330		265		3.0	4.0	CR2330	
CR-2354		560	24.5	5.4	5.9	CR2354	
CR-2412		100		1.2	2.0	-	
CR-2450		620		5.0	6.3	CR2450	
CR-2477		1,000	30.0	7.7	10.5	-	
CR-3032		500		3.2	7.1	CR3032	

¹ Based on standard drain and cut off voltage down to 2.0 V at 20 °C.

Lithium Coin Type (Rechargeable)

勝特力材料 886-3-5753170
 勝特力电子(上海) 86-21-54151736
 勝特力电子(深圳) 86-755-83298787
[Http://www.100y.com.tw](http://www.100y.com.tw)

Typical Terminal Types



Vanadium Pentoxide Lithium (VL Series)

Rechargeable
3V

Model Number	Electrical Characteristics at 20 °C			Dimensions (mm)		Approx. Weight (g)	IEC
	Nominal Voltage (V)	Nominal ¹ Capacity (mAh)	Continuous Standard Drain (mA)	Diameter	Height		
VL-621	3	1.5	0.10	6.80	2.1	0.27	-
VL-1220		7.0	0.03	12.5	2.0	0.8	
VL-2020		20.0	0.07	20.0		2.2	
VL-2320		30.0	0.10	23.0	3.0	2.7	
VL-2330		50.0				3.5	
VL-3032		100.0	0.20	30.0	3.2	6.2	

¹ Based on standard drain and cut off voltage down to 2.5 V at 20 °C.

Manganese Lithium (ML Series)

Rechargeable
3V

Model Number	Electrical Characteristics at 20 °C			Dimensions (mm)		Approx. Weight (g)	IEC
	Nominal Voltage (V)	Nominal ¹ Capacity (mAh)	Continuous Standard Drain (mA)	Diameter	Height		
ML-414	3	1.2	0.005	4.8	1.4	0.09	-
ML-421		2.3	0.003		2.1	0.10	
ML-612		2.6	0.010	6.8	1.2	0.15	
ML-614		3.4			1.4	0.17	
ML-616		2.9			1.6	0.20	
ML-621		5.0			2.1	0.23	
ML-920		11.0	0.030	9.5	2.0	0.40	
ML-1220		17.0		12.5		0.80	
ML-2020		45.0		20.0		2.20	

¹ Based on standard drain and cut off voltage down to 2.0 V at 20 °C.

Niobium Lithium (NBL Series)

Rechargeable
2V

Model Number	Electrical Characteristics at 20 °C			Dimensions (mm)		Approx. Weight (g)	IEC
	Nominal Voltage (V)	Nominal ¹ Capacity (mAh)	Continuous Standard Drain (mA)	Diameter	Height		
NBL-414	2.0	1.0	0.008	4.8	1.4	0.10	-
NBL-621		4.0	0.010	6.8	2.1	0.22	

¹ Based on standard drain and cut off voltage down to 1.0 V at 20 °C.

Manganese Titanium Lithium (MT Series)

Rechargeable
1.5V

Model Number	Electrical Characteristics at 20 °C			Dimensions (mm)		Approx. Weight (g)	IEC
	Nominal Voltage (V)	Nominal ¹ Capacity (mAh)	Continuous Standard Drain (mA)	Diameter	Height		
MT-516	1.5	1.15	0.05	5.8	1.6	0.15	-
MT-616		1.05			0.20		
MT-621		2.50		6.8	2.1	0.25	
MT-920		5.00			9.5	2.0	

¹ Based on standard drain and cut off voltage down to 1.0 V at 20 °C.

Lithium

Valve Regulated (Sealed) Lead-Acid

勝特力材料 886-3-5753170
 勝特力电子(上海) 86-21-54151736
 勝特力电子(深圳) 86-755-83298787
[Http://www.100y.com.tw](http://www.100y.com.tw)



LC Series

Model Number ¹	Nominal Voltage (V)	Rated Capacity (Ah) (20 hour rate)	Usage ² Main or Standby Power Supplies	Expected Trickle Life (years) at 20 °C	Dimensions (mm)			
					Length	Width	Height	Approx. Total Height
LC-R061R3P	6	1.3	Main and Standby	6 – 9 years	97	24	50	55
LC-R063R4P		3.4			134	34	60	66
LC-R064R5P		4.5			70	48	102	108
LC-R067R2P		7.2	Standby	10 – 12 years	151	34	94	100
LC-P067R2P								
LC-R0612P		15	Main and Standby	6 – 9 years	407	173	210	250
LC-P0612P								
LC-R0615P		1.3	Main and Standby	6 – 9 years	97	47.5	50	55
LC-X06200								
LC-R121R3P		3.4	Main and Standby	6 – 9 years	134	67	102	108
LC-R122R2P	7.2							
LC-P122R2P		12	Main and Standby	6 – 9 years	151	64.5	94	100
LC-R123R4P	15							
LC-P123R4P		20	Standby	10 – 12 years	165	125	175	179.5/175
LC-R124R5P	24							
LC-P124R5P		28	Standby	10 – 12 years	197	165	175	180/175
LC-R127R2P	33							
LC-P127R2P		38	Main and Standby	6 – 9 years	304	171	210	236
LC-RA1212P	12							
LC-PA1212P1		15	Main and Standby	6 – 9 years	197	165	175	180/175
LC-CA1212P	16 ⁴							
LC-RA1215P		17	Standby	10 – 12 years	407	173	210	236
LC-CA1215P1	20							
LC-R12EB12P1		22	Main	–	304	171	210	236
LC-XD1217P/AP ⁵	24							
LC-X1220P/AP ⁵		28	Main and Standby	6 – 9 years	197	165	175	180/175
LC-XC1222AP	33							
LC-X1224P/AP		38	Standby	10 – 12 years	407	173	210	236
LC-X1228P/AP	42							
LC-XC1228P		65	Main and Standby	6 – 9 years	197	165	175	180/175
LC-R1233P	75							
LC-V1233P		100	Main and Standby	6 – 9 years	197	165	175	180/175
LC-X1238P/AP	120							
LC-XC1238P		15	Main and Standby	6 – 9 years	197	165	175	180/175
LC-X1242P/AP ⁵	16 ⁴							
LC-X1265P		17	Standby	10 – 12 years	407	173	210	236
LC-X1275P ⁵	20							
LC-XB12100P ⁵		22	Main	–	304	171	210	236
LC-X12120P	24							
		28	Main and Standby	6 – 9 years	197	165	175	180/175
	33							
		38	Standby	10 – 12 years	407	173	210	236
	42							
		65	Main and Standby	6 – 9 years	197	165	175	180/175
	75							
		100	Main and Standby	6 – 9 years	197	165	175	180/175
	120							

¹ Contact Panasonic for the country of origin on each battery.
² If you use power supplies as a main power source, please contact Panasonic regarding charging specifications.
³ Height of Faston 250 type is 101.5 mm
⁴ Capacity: 16 Ah – 20 h discharge / 12 Ah – 3 h discharge
⁵ This battery is also available with a flame retardant battery case resin.

Valve Regulated (Sealed) Lead-Acid

勝特力材料 886-3-5753170
 勝特力电子(上海) 86-21-54151736
 勝特力电子(深圳) 86-755-83298787
[Http://www.100y.com.tw](http://www.100y.com.tw)

Battery Types and Model Numbers

- For main power source → Cycle long life type → LC-XC, LC-C
- For main and standby power source → Trickle Design life 6-9⁾ years → LC-R, LC-V
- For standby power source → Trickle Design life 6-9⁾ years → UP-RW
 Trickle Design life 10-12⁾ years → LC-X
 Trickle Design life 17⁾ years → LC-QA
- Standard case → LC-X
 Flame-retardant case → LC-P, UP-PW

Trickle Design life:

- Temperature: 20 °C
- Discharge current: 0.1 CA
- Discharge ending voltage: 5.4 V for 6 V battery, 10.8 V for 12 V battery
- Charge voltage: 6.85 V for 6V battery, 13.7 V for 12 V battery

⁾ Trickle Design life conform to Eurobat

Approx. Mass (kg)	Terminal Types		Battery-case Resin		VdS VdS N°
			Standard (UL94HB)	Flame-retardant (UL94V-O)	
0.30			√		-
0.62	Faston 187		√		-
0.72			√		-
1.26	Faston 187 or Faston 250 with hole		√		-
1.30	Faston 187			√	-
2.00	Faston 187 or Faston 250 with hole		√		-
2.10			√	√	-
41.00	M10 bolt and nut		√		-
0.59			√		G196049
0.80	Faston 187		√	√	G188151
1.20			√		G191053
1.45				√	-
2.47			√		-
2.50	Faston 187 or Faston 250 with hole		√	√	G193046
3.80	Faston 250 with hole		√	√	G100001
	Faston 187 or Faston 250 with hole		√		-
4.20			√		-
4.30	Faston 250 with hole		√		-
6.50	LC-XD1217P: M5 bolt and nut	LC-XD1217AP: M5 threaded post	√		G104101
6.60	LC-X1220P: M5 bolt and nut	LC-X1220AP: M5 threaded post	√		-
6.50	M5 threaded post		√		-
9.00	LC-X1224P: M5 bolt and nut	LC-X1224AP: M5 threaded post	√		G198049
11.00	LC-X1228P: M5 bolt and nut	LC-X1228AP: M5 threaded post	√		-
10.00	M5 bolt and nut		√		-
12.00			√		-
11.10	M6 bolt and nut			√	-
13.00	LC-X1238P: M6 bolt and nut	LC-X1238AP: M5 threaded post	√		G100002
15.00	M6 bolt and nut		√		-
16.00	LC-X1242P: M6 bolt and nut	LC-X1242AP: M5 threaded post	√		-
20.00			√		G199090
24.00	M6 bolt and nut		√		-
37.00			√		-
37.00	M8 bolt and nut		√		-

Valve Regulated (Sealed) Lead-Acid

Battery Types and Model Numbers

- For main power source → Cycle long life type → LC-XC, LC-C
 - For main and standby power source → Trickle Design life 6-9^{*)} years → LC-R, LC-V
 - For standby power source →
 - Trickle Design life 6-9^{*)} years → UP-RW
 - Trickle Design life 10-12^{*)} years → LC-X
 - Trickle Design life 17^{*)} years → LC-QA
- Standard case → LC-X
Flame-retardant case → LC-P, UP-PW

Trickle Design life:

- Temperature: 20 °C
- Discharge current: 0.1 CA
- Discharge ending voltage: 5.4 V for 6 V battery, 10.8 V for 12 V battery
- Charge voltage: 6.85 V for 6V battery, 13.7 V for 12 V battery

^{*)} Trickle Design life conform to Eurobat



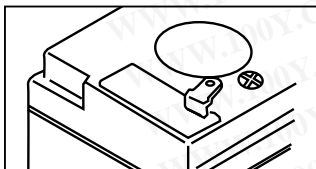
UP-RW Series (High power type for standby power supplies)

Model Number ¹⁾	Nominal Voltage (V)	Rated Power (W) (10 minute rate)	Usage ²⁾ Main or Standby Power Supplies	Expected Trickle Life (years) at 20 °C	Dimensions (mm)			Approx. Total Height	Approx. Mass (kg)	Terminal Types	Battery-case Resin
					Length	Width	Height				
UP-RW0645P1	6	135	Standby	6 – 9 years	151	34	94	100	1.30	Faston 250 with hole	Standard (UL94HB)
UP-RW1220P1		120			140	38.5			1.35		
UP-RWA1232P1/P2		192			151	51			2.00		
UP-RW1245P1		270								64.5	
UP-PW1245P1					10 – 12 years	Flame-retardant (UL94V-O)					

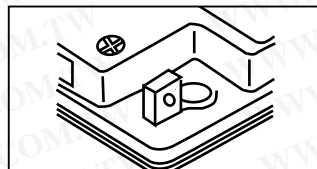
¹⁾ Contact Panasonic for the country of origin on each battery.

²⁾ If you use power supplies as a main power source, please contact Panasonic regarding charging specifications.

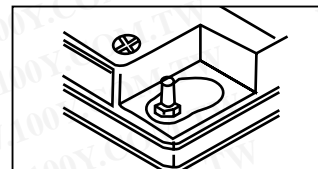
Terminal Types (Examples)



Faston Type



Bolt and Nut Type



Threaded Post Type

LC-QA Series

Model Number ¹⁾	Rated Voltage (V)	Rated Capacity (Ah)	Expected Service Life at 20 °C	Dimensions (mm)				Approx. Mass (kg)	Battery-case Resin	VdS VdS N°	
				Length	Width	Height	Approx. Total Height				
LC-QA1224	12	24	17 years	165	125	175	175	10	Flame-retardant (UL94V-O)	-	
LC-QA1242		42		197	165	175	180	16		-	
LC-QA1265		65		350	166	175	175	236		24	-
LC-QA12100		100								37	-
LC-QA12120		120		407	173	210	250	44		-	
LC-QA06200	6	200	37					-			

¹⁾ Contact Panasonic for the country of origin on each battery.

²⁾ If you use power supplies as a main power source, please contact Panasonic regarding charging specifications.

勝特力材料 886-3-5753170
 勝特力电子(上海) 86-21-54151736
 勝特力电子(深圳) 86-755-83298787
[Http://www.100y.com.tw](http://www.100y.com.tw)



VRLA

Panasonic brings the first Super Life lead-acid batteries with a 17 year service life to Europe

*Manufactured in China to international standards
for environmental protection and occupational safety.*

Panasonic is extending its comprehensive range of industrial batteries still further with the new "Super Life" models. The hallmarks of these six new VRLA batteries of the LC-QA series, with capacities of between 24 and 200 ampere hours (Ah), are a very long service life of 17 years (at 20 degrees Celsius) and

excellent product quality. The main area of application is the telecommunications industry. The batteries are produced at the Chinese factory in Shenyang that has received accreditation for its particular commitment to environmental protection and social responsibility toward its staff.

勝特力材料 886-3-5753170
勝特力电子(上海) 86-21-54151736
勝特力电子(深圳) 86-755-83298787
[Http://www.100y.com.tw](http://www.100y.com.tw)

Zinc Carbon, Alkaline

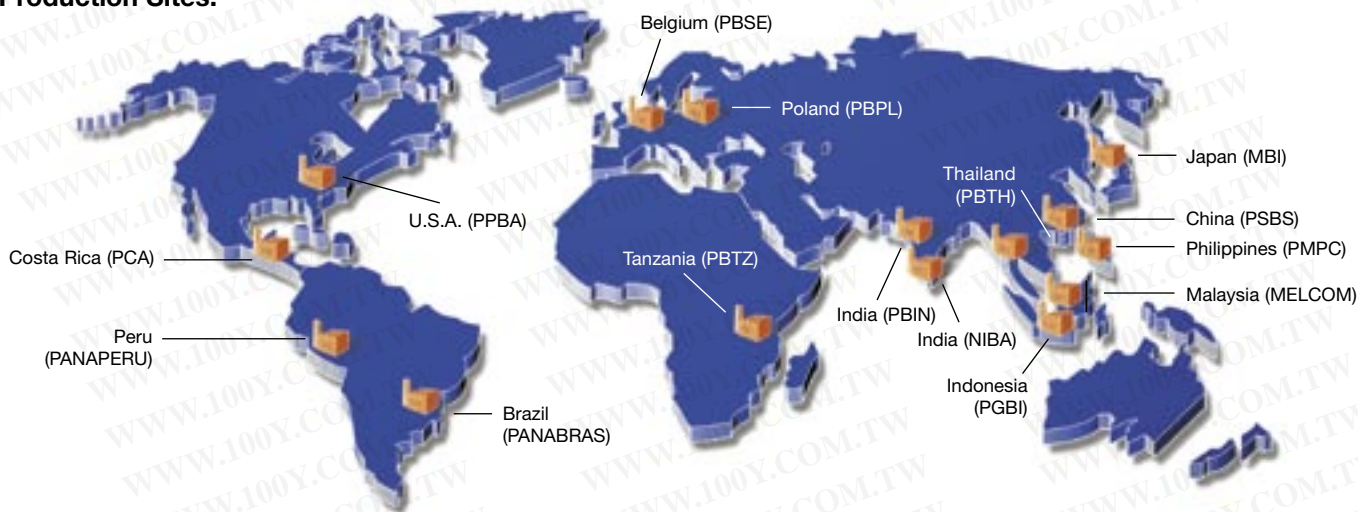
勝特力材料 886-3-5753170
 勝特力电子(上海) 86-21-54151736
 勝特力电子(深圳) 86-755-83298787
[Http://www.100y.com.tw](http://www.100y.com.tw)

Primary
1.5V·9V



Size	Model Number		Nominal Voltage (V)
	Zinc Carbon	Alkaline	
D	R20	LR20	1.5
C	R14	LR14	
AA	R6	LR6	
AAA	R03	LR03	
N	R1	LR1	
9V	6F22	6LR61	9

Production Sites:



Worldwide Production Sites and Products

Location	Factory	Managanese Battery						Alkaline Battery					
		R20	R14	R6	R03	R1	6F22	LR20	LR14	LR6	LR03	LR1	6LR61
Japan	MBI	✓	✓	✓	✓	✓	✓	✓	✓	✓	✓	✓	✓
Thailand	PBTH	✓	✓	✓									
Philippines	PMPC	✓		✓									
Malaysia	MELCOM	✓		✓									
Indonesia	PGBI	✓	✓	✓	✓								
India	PBIN	✓	✓	✓									
India	NIBA	✓	✓	✓									
Costa Rica	PCA	✓	✓	✓									
Peru	PANAPERU	✓		✓									
Brazil	PANABRAS	✓	✓	✓						✓			
Belgium	PBSE							✓	✓	✓	✓		✓
Tanzania	PBTZ	✓											
U.S.A.	PPBA							✓	✓	✓	✓		✓
China	PSBS	✓		✓			✓						
Poland	PBPL	✓	✓	✓									

Memory Cards

Cards



Full-size Flash ATA Card

Parts Number	Memory Capacity (bytes)	Number of Cylinders	Number of heads	Number of Sectors/Tracks	Number of Sectors	Current Consumption	Operating Temperature (°C)	Storage Temperature (°C)	Dimensions (mm)	Number of Pins
BN-016AC-G	16,384,000	1,000	2	16	32,000	Typ.30	0 to 60	-30 to 80	PC Card TYPE 2 85.6 * 54.0 * 5.0	68
BN-032AC-G	32,768,000	500	8		64,000					
BN-048AC-G	49,152,000	750		16	96,000					
BN-096AC-G	98,304,000	500	32		192,000					
BN-128AC-G	131,072,000	1,000	32	256,000						
BN-256AC-G	262,144,000	1,000	32	512,000						

Full-size Flash Memory Card



Parts Number	Common Memory (bytes)	Attribute Memory (bytes)	Access time (ns)	Current Consumption	Operating Temperature (°C)	Storage Temperature (°C)	Dimensions (mm)	Number of Pins
BN-08MHFCC	8M	EEPROM:8K	250	Max. 150	0 to 60	-30 to 80	PC Card TYPE 1 85.6 * 54.0 * 3.3	68

Full-size SRAM Card



Parts Number	Memory Capacity (bytes)	Access time (ns)	Current Consumption	Battery Life (25 °C)	Sub Battery	Operating Temperature (°C)	Storage Temperature (°C)	Dimensions (mm)	
BN-064HSR	64K	200	Max. 150	5 years	Built-in	0 to 60	-20 to 70	PC Card TYPE 1 85.6 * 54.0 * 3.3	
BN-128HSR	128K								
BN-256HSR	256K								
BN-512HSR	512K								
BN-01MHSR	1M			3 years					
BN-02MHSR	2M								
BN-04MHSR	4M								1 year
BN-08MHSR	8M								
				6 months					

Adapter



PC Card Adapter for small PC Card

Parts Number	Dimensions (mm)
BN-SPCADP	85.6 * 54.0 * 5.0

勝特力材料 886-3-5753170
 勝特力电子(上海) 86-21-54151736
 勝特力电子(深圳) 86-755-83298787
[Http://www.100y.com.tw](http://www.100y.com.tw)

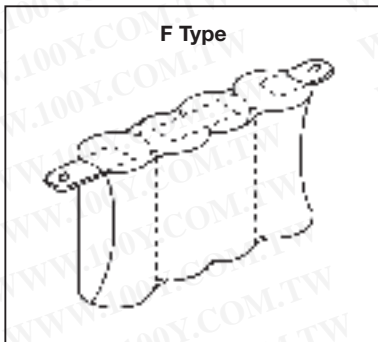
勝特力材料 886-3-5753170
 勝特力电子(上海) 86-21-54151736
 勝特力电子(深圳) 86-755-83298787
[Http://www.100y.com.tw](http://www.100y.com.tw)

Panasonic can provide specially designed battery pack solutions to meet all our customers energy needs. The requirements of the application, such as charge specifications, available space and operating conditions can determine the type of battery, number of cells and shape of the pack. At Panasonic we are working on the promotion of battery packs which empha-

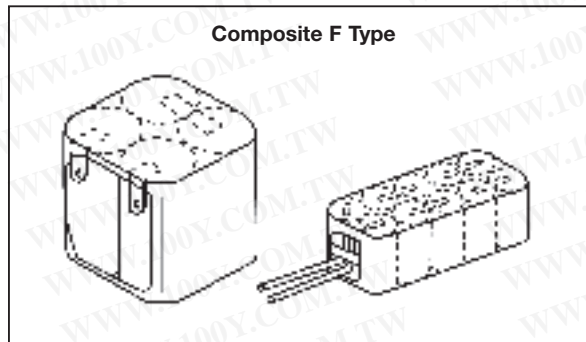
size the safety and reliability of the batteries. We can create customised packs to satisfy the unique requirements of each of our customers and are able to design and produce battery packs of all chemistries.

Do not hesitate to contact us regarding your specific needs.

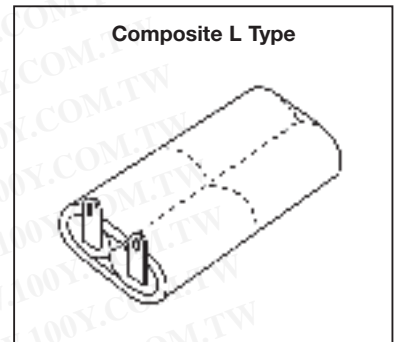
Shapes of Battery Packs (Typical & Standard Types)



F Type



Composite F Type



Composite L Type

F Type

The required number of single cells are arranged side by side along their diameter, connected by nickel plates, and packed together with heat-shrinkable tubing.

Composite F Type

Single cells are connected in the F type configuration but in two to five rows rather than one row and packed together by heat-shrinkable tubing.

L Type

The required number of single cells are arranged in a line in the axis of the batteries, connected by connecting plates, and packed together by heat-shrinkable tubing.

Composite L Type

Single cells connected in the L type configuration are further connected in two to five rows, and packed together by heat-shrinkable tubing.

Special Pack Shapes

Panasonic can meet customers' needs for customized specifications (such as battery packs in plastic resin cases).

This applies also to prismatic battery packs.

Please contact Panasonic for detailed discussions concerning design-in, specifications, lead times, etc.



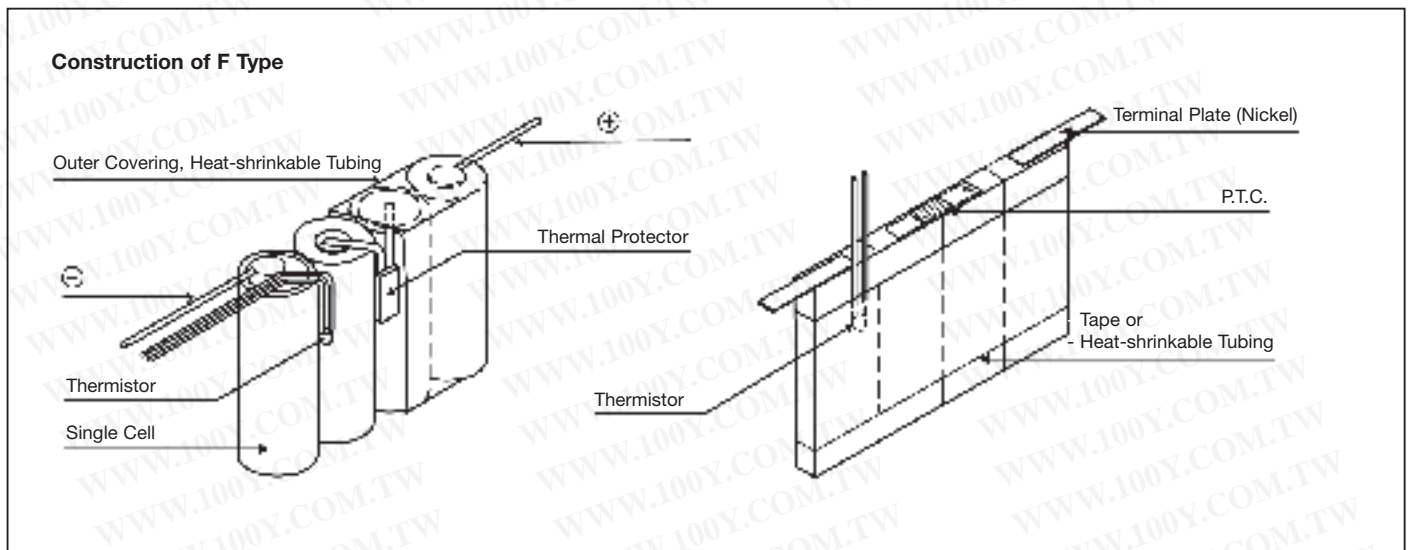
勝特力材料 886-3-5753170
 勝特力电子(上海) 86-21-54151736
 勝特力电子(深圳) 86-755-83298787
[Http://www.100y.com.tw](http://www.100y.com.tw)

Examples of Battery Pack Constructions

Construction of Ni-MH Battery Packs

The figure below shows the basic construction of a battery pack. It is recommended that a thermal protector, which is used for temperature detection and external short-circuiting, be installed

in a nickel-metal hydride battery pack to prevent any rise in the temperature of the pack.



Construction of Ni-Cd Battery Packs

The basic constructions for battery packs are as shown below.

