

QFP

QUAD FLAT  
PACKAGE

勝特力材料 886-3-5753170  
勝特力电子(上海) 86-21-54151736  
勝特力电子(深圳) 86-755-83298787  
Http://www.100y.com.tw

Applicable IC/QFP · TQFP

## OPEN TOP TYPE SOCKETS

### ORDERING PROCEDURE

OTQ - { } - { } - { }  
Socket Series      Pin Count      Pitch      Design NO.



### SPECIFICATIONS

Contact resistance: Initial 100m $\Omega$  (At 10mA)  
Maximum voltage: AC700V RMS (for 1 minute)  
\* Below 0.5mm Pitch  
AC500V RMS (for 1 minute)  
Insulation resistance: 1,000M $\Omega$  or higher (At DC 500V)  
Rated current: 1A  
Operating temperature range: -60°C ~ +150°C  
Terminal strength against pulling: 0.5kg (1 minute)  
Insertion: Min. 10,000 times (Mechanical)

- \* Better airflow.
- \* Vertical actuation is ideal for automation.
- \* Zero-insertion force.
- \* Live bug.

### MATERIAL

Body: PEI, PES  
Contact: BeCu, Au plating (Ni-base)

**PINCH CONTACT: Patent No. 1869849 (Japan) Patent No. 4691975 (U.S.A.)**

勝特力材料 886-3-5753170  
 勝特力电子(上海) 86-21-54151736  
 勝特力电子(深圳) 86-755-83298787  
[Http://www.100y.com.tw](http://www.100y.com.tw)

## APPLICABLE IC DIMENSIONS & SOCKET DIMENSIONS

### PINCH CONTACT (TQFP)

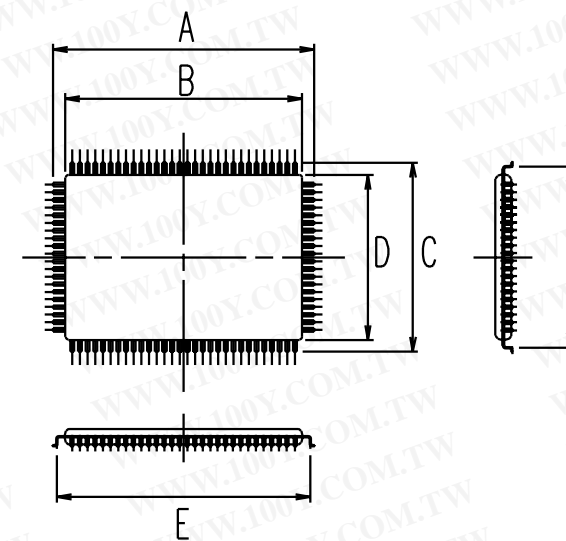
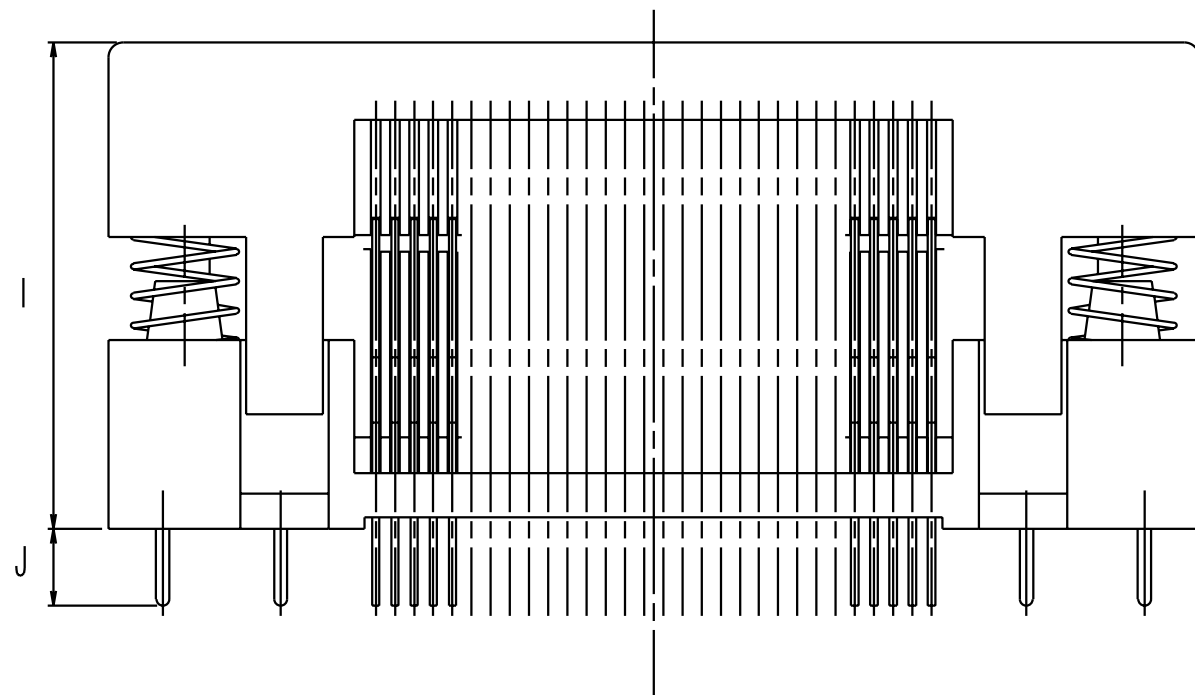
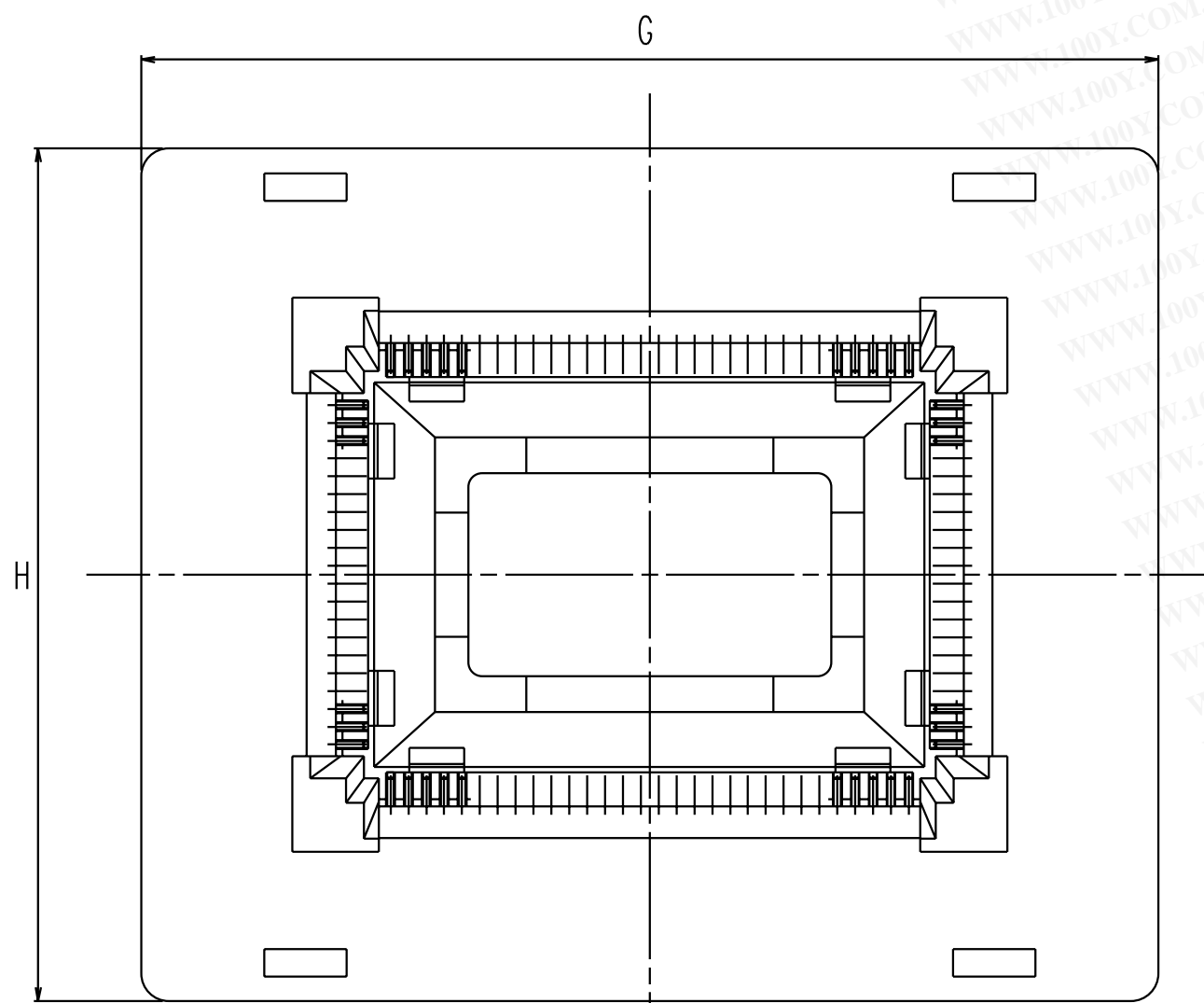
Unit: mm  
(in)

PART NO.	PIN COUNT	PITCH	ACTUATION FORCE	APPLICABLE IC DIMENSIONS (REF.)				OUTSIDE DIMENSIONS (REF.)						REMARKS
				A	B	C	D	E	F	G	H	I	J	
OTQ-32-0.8-02	32	0.8 (32mil)	max 3.0kg	9±0.1 (0.354)	7±0.1 (0.275)	9±0.1 (0.354)	7±0.1 (0.275)	max8.1 (0.318)	max8.1 (0.318)	25.5 (1.003)	25.5 (1.003)	17.5 (0.688)	2.5 (0.098)	SQFP /TQFP
OTQ-44-0.8-04	44	0.8 (32mil)	max 3.5kg	12±0.1 (0.472)	10±0.1 (0.393)	12±0.1 (0.472)	10±0.1 (0.393)	max11.1 (0.437)	max11.1 (0.437)	28.4 (1.118)	28.4 (1.118)	17.5 (0.688)	3 (0.118)	
OTQ-48-0.5-03	48	0.5 (19.6mil)	max 1.7kg	9±0.1 (0.354)	7.6max (0.299)	9±0.15 (0.354)	7.6max (0.299)	8±0.1 (0.315)	8±0.1 (0.315)	24 (0.945)	24 (0.945)	16.5 (0.650)	2.6 (0.102)	Mold Guide
OTQ-52-0.65-03	52	0.65 (26mil)	max 4.0kg	12±0.1 (0.472)	10±0.1 (0.393)	12±0.1 (0.472)	10±0.1 (0.393)	max11.1 (0.437)	max11.1 (0.437)	28.4 (1.118)	28.4 (1.118)	17.5 (0.688)	3.5 (0.137)	
OTQ-64-0.65-04	64	0.65 (26mil)	max 2.1kg	14±0.15 (0.551)	12.6max (0.499)	14±0.15 (0.551)	12.6max (0.499)	13±0.1 (0.512)	13±0.1 (0.512)	29 (1.142)	29 (1.142)	16.5 (0.650)	2.6 (0.102)	Mold Guide
OTQ-80-0.5-05	80	0.5 (19.6mil)	max 2.7kg	14±0.15 (0.551)	12.6max (0.499)	14±0.15 (0.551)	12.6max (0.499)	13±0.1 (0.512)	13±0.1 (0.512)	29 (1.142)	29 (1.142)	16.5 (0.650)	2.6 (0.102)	Mold Guide
OTQ-80-0.65-05	80	0.65 (26mil)	max 6.5kg	16±0.1 (0.629)	14±0.1 (0.551)	16±0.1 (0.629)	14±0.1 (0.551)	max15.1 (0.594)	max15.1 (0.594)	32.4 (1.275)	32.4 (1.275)	17.5 (0.688)	3 (0.118)	
OTQ-88-0.65-05	88	0.65 (26mil)	max 7.5kg	19.2±0.1 (0.756)	16 (0.630)	19.2±0.1 (0.756)	16 (0.630)			35.2 (1.385)	35.2 (1.385)	17.5 (0.688)	3 (0.118)	
OTQ-100-0.5-11	100	0.5 (19.6mil)	max 3.3kg	16±0.15 (0.630)	14±0.03 (0.551)	16±0.15 (0.630)	14±0.03 (0.551)	15±0.1 (0.591)	15±0.1 (0.591)	16.5 (0.650)	16.5 (0.650)	16.5 (0.650)	2.6 (0.102)	Mold Guide
OTQ-100-0.65-22	100	0.65 (26mil)	max 3.3kg	23.2±0.05 (0.913)	20±0.4 (0.787)	17.2±0.05 (0.677)	14±0.1 (0.551)	max15.6 (0.551)	max15.6 (0.551)	32.2 (1.268)	32.2 (1.268)	16.5 (0.650)	2.6 (0.102)	Mold Guide
OTQ-112-0.65-02	112	0.65 (26mil)	max 5.6kg	22 (0.866)	20 (0.787)	22 (0.866)	20 (0.787)			38 (1.496)	38 (1.496)	17.5 (0.688)	3 (0.118)	

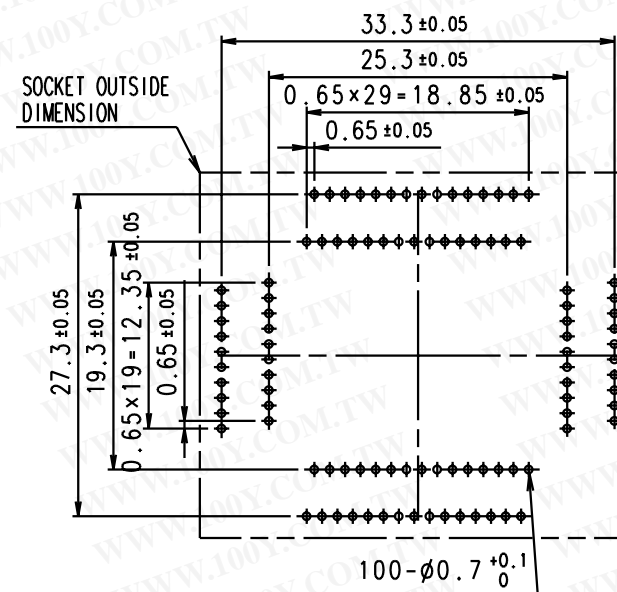
勝特力材料 886-3-5753170  
 勝特力电子(上海) 86-21-54151736  
 勝特力电子(深圳) 86-755-83298787  
[Http://www.100y.com.tw](http://www.100y.com.tw)

Unit: mm  
(in)

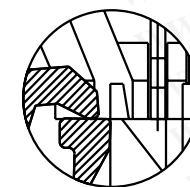
PART NO.	PIN COUNT	PITCH	ACTUATION FORCE	APPLICABLE IC DIMENSIONS (REF.)					OUTSIDE DIMENSIONS (REF.)					REMARKS
				A	B	C	D	E	F	G	H	I	J	
OTQ-128(144)-0.5-09	128	0.5 (19.6mil)	max 3.8kg	22±0.1 (0.866)	max20.5 (0.807)	22±0.1 (0.866)	max20.5 (0.807)			37 (1.457)	37 (1.457)	16 (0.629)	3 (0.118)	
OTQ-144-0.5-09	144	0.5 (19.6mil)	max 3.8kg	22±0.1 (0.866)	max20.5 (0.807)	22±0.1 (0.866)	max20.5 (0.807)			37 (1.457)	37 (1.457)	16 (0.629)	3 (0.118)	
OTQ-52-0.65-04	52	0.65 (26mil)	max 1.1kg	12±0.15 (0.412)	max10.5 (0.413)	12±0.15 (0.412)	max10.5 (0.413)	11±0.1 (0.433)	11±0.1 (0.433)	26.2 (1.030)	26.2 (1.030)	16.5 (0.650)	3 (0.118)	
OTQ-64-0.5-04	64	0.5 (19.6mil)	max 1.3kg	12±0.15 (0.412)	max10.5 (0.413)	12±0.15 (0.412)	max10.5 (0.413)	11±0.1 (0.433)	11±0.1 (0.433)	26.2 (1.030)	26.2 (1.030)	16.5 (0.650)	3 (0.118)	
OTQ-160-0.65-04	160	0.65 (26mil)	max 5.5kg	31.2±0.2 (1.228)	28±0.1 (1.102)	31.2±0.2 (1.228)	28±0.1 (1.102)	29.6	29.6	49	49	17	2.6	
OTQ-160-0.65-05	160	0.65 (26mil)	max 3.5kg	31.2±0.05 (1.228)	max27.85 (1.096)	31.2±0.05 (1.228)	max27.85 (1.096)	28±0.05 (1.102)	28±0.05 (1.102)	46.2 (1.819)	46.2 (1.819)	16.5 (0.645)	3 (0.118)	Mold Guide
OTQ-176-0.5-04	176	0.5 (19.6mil)	max 3.8kg	26.1±0.15 (1.023)	max24.5 (0.964)	26.1±0.15 (1.023)	max24.5 (0.964)	25 (0.984)	25 (0.984)	41 (1.614)	41 (1.614)	16.5 (0.650)	3 (0.118)	
OTQ-208-0.5-09	208	0.5 (19.6mil)	max 4.5kg	30.6±0.15 (1.204)	28 (1.102)	30.6±0.15 (1.204)	28 (1.102)			45.6 (1.800)	45.6 (1.800)	16.5 (0.650)	3 (0.118)	
OTQ-208-0.5-10	208	0.5 (19.6mil)	max 4.5kg	30±0.1 (1.180)	max28.5 (1.121)	30±0.1 (1.180)	max28.5 (1.121)	29±0.1 (1.141)	29±0.1 (1.141)	45 (1.776)	45 (1.776)	16.5 (0.650)	3 (0.118)	



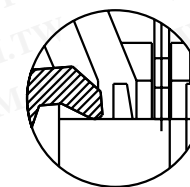
OTQ-100-0.65  
(REFERENCE ONLY)



OTQ-100-0.65  
(REFERENCE ONLY)



PINCH CONTACT  
(TWO POINT CONTACT)  
(REFERENCE ONLY)



ONE POINT CONTACT  
(REFERENCE ONLY)

勝特力材料 886-3-5753170  
 勝特力电子(上海) 86-21-54151736  
 勝特力电子(深圳) 86-755-83298787  
[Http://www.100y.com.tw](http://www.100y.com.tw)