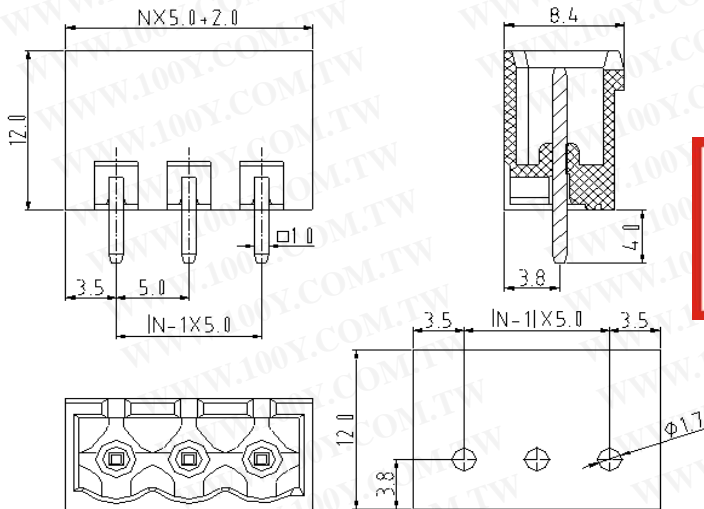
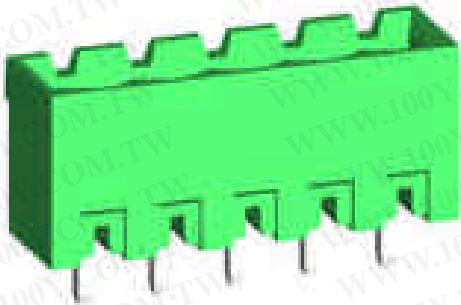


Pitch5.00mm Poles 2P-24P



Electrical:

Electrical: cULus VDE
 Voltage rating: 300V 125V
 Current rating: 15A 15A
 Wire range:
 Solid wire(AWG)
 Stranded wire(AWG):
 Withstanding Voltage: 4KV
 Operating temperature: -30 °C to +105 °C
 Soldering temperature: 245 °C ± 0 °C/5Sec.

Materials

Material:
 Contact pin: Brass with Tin plated
 Insulator (housing): Thermoplastic(UL94V-0)

勝特力材料 886-3-5753170
 勝特力电子(上海) 86-21-54151736
 勝特力电子(深圳) 86-755-83298787
[Http://www.100y.com.tw](http://www.100y.com.tw)

How to Order

OQ **XX** **X** **X** **X** **0**

Solid Block 02				
2contacts 03	7 5.0/.197" 8	0 open 1 close 5	0 Black 5 Green 6	0 Vertical 1 Right angle
3contacts 24	10.0/.394"	With flange	Blue 8 Grey	
24contacts				

Customer Request	