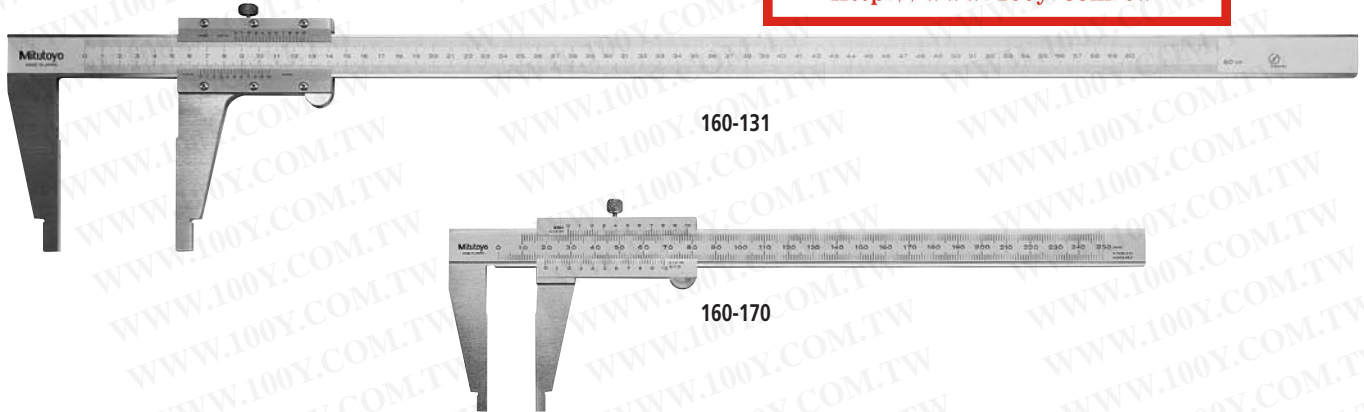


Vernier Caliper

SERIES 160 — with Nib Style Jaws

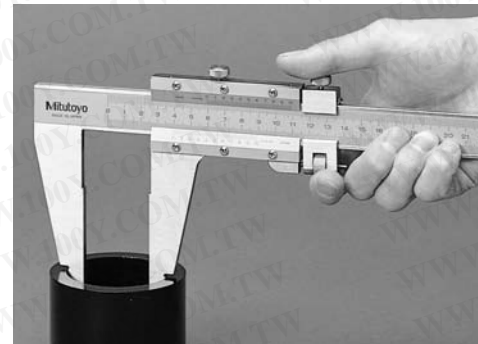
勝特力材料 886-3-5753170
 勝特力电子(上海) 86-21-54151736
 勝特力电子(深圳) 86-755-83298787
[Http://www.100y.com.tw](http://www.100y.com.tw)



CALIPERS

FEATURES

- The jaws have round measuring faces for accurate ID measurement.
- With or without a fine-adjustment carriage to feed the slider finely.
- Inside and outside measurements can be directly read from the upper and lower slider graduations, respectively. (Metric model or inch model only).
- No depth measuring bar.

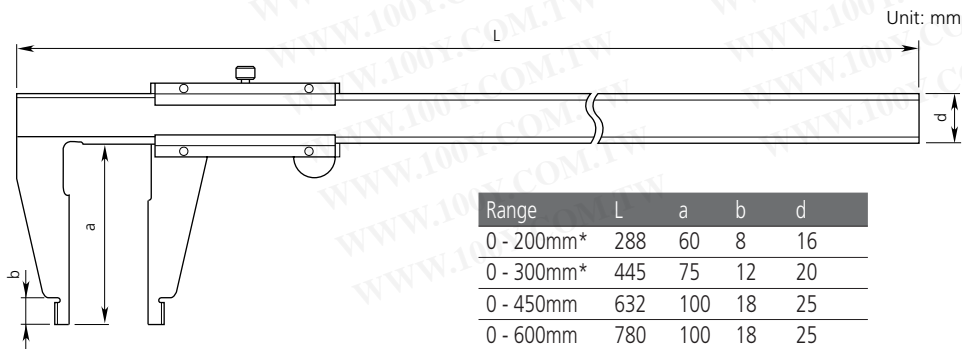


SPECIFICATIONS

Metric/Inch

Range (OD)	Range (ID)	Order No.	Vernier reading (OD)	Vernier reading (ID)	Accuracy	Remarks
0 - 200mm	10 - 200mm	160-170	0.02mm	0.02mm	±0.03mm	Parallax-free type
0 - 300mm	10 - 300mm	160-180	0.02mm	0.02mm	±0.04mm	Parallax-free type
0 - 450mm	20 - 450mm	160-130	0.05mm	0.05mm	±0.1mm	—
0 - 600mm	20 - 600mm	160-131	0.05mm	0.05mm	±0.1mm	—
0 - 1000mm	20 - 1000mm	160-132	0.05mm	0.05mm	±0.15mm	—
0 - 1500mm	20 - 1500mm	160-133	0.05mm	0.05mm	±0.22mm	—
0 - 2000mm	20 - 2000mm	160-134	0.05mm	0.05mm	±0.28mm	—

Dimensions



Range	L	a	b	d
0 - 200mm*	288	60	8	16
0 - 300mm*	445	75	12	20
0 - 450mm	632	100	18	25
0 - 600mm	780	100	18	25
0 - 1000mm	1240	140	24	32
0 - 1500mm	1800	180	30	32
0 - 2000mm	2300	180	30	40

*Parallax-free type



160-101

勝特力材料 886-3-5753170
 勝特力电子(上海) 86-21-54151736
 勝特力电子(深圳) 86-755-83298787
[Http://www.100y.com.tw](http://www.100y.com.tw)

SPECIFICATIONS

Metric Vernier calipers with fine adjustment

Range (OD)	Range (ID)	Order No.	Vernier reading (OD)	Vernier reading (ID)	Accuracy	Remarks
0 - 300mm	10 - 300mm	160-127	0.02mm	0.02mm	±0.04mm	—
0 - 450mm	20 - 450mm	160-128	0.02mm	0.02mm	±0.05mm	—
0 - 600mm	20 - 600mm	160-101	0.02mm	0.02mm	±0.05mm	—
0 - 1000mm	20 - 1000mm	160-104	0.02mm	0.02mm	±0.07mm	—
0 - 1500mm	20 - 1500mm	160-110	0.02mm	0.02mm	±0.09mm	—
0 - 2000mm	20 - 2000mm	160-113	0.02mm	0.02mm	±0.12mm	—

Inch Vernier calipers with fine adjustment

Range (OD)	Range (ID)	Order No.	Vernier reading (OD)	Vernier reading (ID)	Accuracy	Remarks
0 - 12"	.3" - 12"	160-124	.001"	.001"	±.0015"	—
0 - 18"	.5" - 18"	160-116	.001"	.001"	±.002"	—
0 - 24"	.5" - 24"	160-102	.001"	.001"	±.002"	—
0 - 40"	1" - 40"	160-105	.001"	.001"	±.003"	—
0 - 60"	1" - 60"	160-111	.001"	.001"	±.004"	—
0 - 80"	1" - 80"	160-114	.001"	.001"	±.005"	—

Metric/Inch Vernier calipers with fine adjustment

Range lower scale	Range upper scale	Order No.	Vernier reading (lower scale)	Vernier reading (upper scale)	Accuracy	Remarks
0 - 300mm	0 - 12"	160-150	0.02mm	.001"	±0.04mm	With fine adjustment
0 - 450mm	0 - 18"	160-151	0.02mm	.001"	±0.05mm	—
0 - 600mm	0 - 24"	160-153	0.02mm	.001"	±0.05mm	—
0 - 1000mm	0 - 40"	160-155	0.02mm	.001"	±0.07mm	—
0 - 1500mm	0 - 60"	160-157	0.02mm	.001"	±0.09mm	—
0 - 2000mm	0 - 80"	160-159	0.02mm	.001"	±0.12mm	—

Inch/Metric Vernier calipers with fine adjustment

Range lower scale	Range upper scale	Order No.	Vernier reading (lower scale)	Vernier reading (upper scale)	Accuracy	Remarks
0 - 12"	0 - 300mm	160-125	.001"	0.02mm	±.0015"	—
0 - 18"	0 - 450mm	160-119	.001"	0.02mm	±.002"	—
0 - 24"	0 - 600mm	160-103	.001"	0.02mm	±.002"	—
0 - 40"	0 - 1000mm	160-106	.001"	0.02mm	±.003"	—
0 - 60"	0 - 1500mm	160-112	.001"	0.02mm	±.004"	—
0 - 80"	0 - 2000mm	160-115	.001"	0.02mm	±.005"	—

