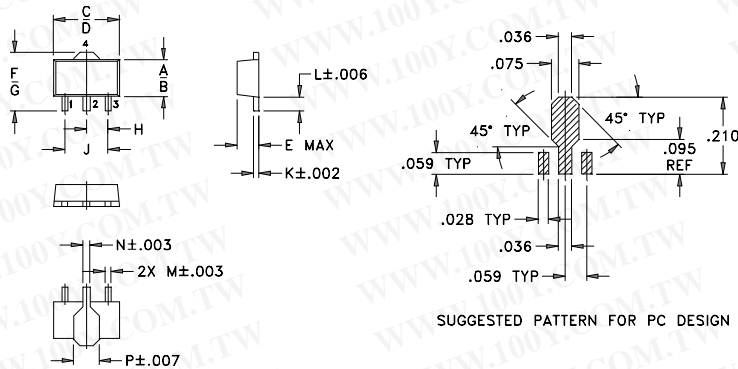


Gali SERIES

Gali SERIES

Demo Board MCL P/N: Gali-TB for Gali-1,-2,-21,-3,-33,-4,-5,-51,-6
 Gali-TBF for Gali-55,-52,-4F,-5F,-51F,-6F
 Suggested PCB Layout (PL-019)

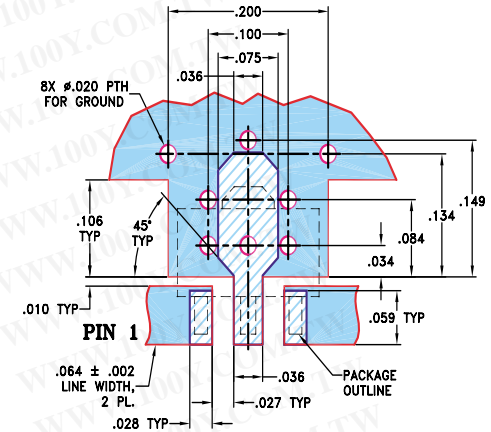
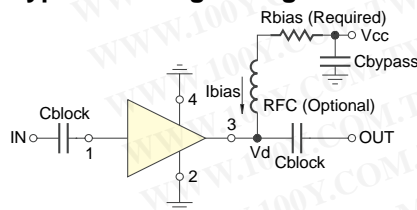
Outline Drawing





Outline Dimensions (inch/mm)

A	B	C	D	E	F	G	H
.102	.090	.181	.173	.063	.167	.155	.059
2.59	2.29	4.60	4.39	1.60	4.24	3.94	1.50
J	K	L	M	N	P	wt	
.118	.015	.041	.016	.019	.065	grams	
3.00	0.38	1.04	0.41	0.48	1.65	0.2	

Typical Biasing Configuration



NOTE: TRACE WIDTH IS SHOWN FOR ROGERS RO4350 WITH DIELECTRIC THICKNESS .030" \pm .002". COPPER: 1/2 OZ. EACH SIDE. FOR OTHER MATERIALS TRACE WIDTH MAY NEED TO BE MODIFIED.

-  DENOTES PCB COPPER LAYOUT
-  DENOTES COPPER LAND PATTERN FREE OF SOLDER MASK

勝特力材料 886-3-5753170
 勝特力电子(上海) 86-21-54151736
 勝特力电子(深圳) 86-755-83298787
[Http://www.100y.com.tw](http://www.100y.com.tw)

R BIAS

"1%" Resistor Values (ohms) for Optimum Biasing of Gali Models

Vcc	Gali-1(+)	Gali-2(+)	Gali-21(+)	Gali-3(+)	Gali-33(+)	Gali-4(+)	Gali-5(+)	Gali-51(+)	Gali-52(+)	Gali-55(+)	Gali-6(+)	Gali-4F(+)	Gali-5F(+)	Gali-51F(+)	Gali-6F(+)
7	90.9	88.7	88.7	107	69.8	38.3	40.2	40.2	51.1	52.3	30.1	51.1	52.3	52.3	49.9
8	113	113	113	133	93.1	52.3	53.6	53.6	69.8	71.5	43.2	69.8	71.5	71.5	69.8
9	137	137	137	162	115	66.5	68.1	68.1	88.7	90.9	56.2	90.9	90.9	90.9	88.7
10	162	162	162	191	140	80.6	82.5	82.5	110	110	69.8	110	110	110	110
11	187	187	187	221	165	95.3	97.6	97.6	130	130	84.5	130	130	130	127
12	215	215	210	249	191	110	113	113	150	150	97.6	150	150	150	147
13	237	237	237	280	215	127	127	127	169	169	113	169	169	169	165
14	261	261	261	309	243	143	143	143	191	191	127	191	191	191	187
15	287	287	287	340	267	158	158	158	210	215	140	210	210	210	205
16	309	316	316	365	287	174	174	174	232	232	154	232	232	232	226
17	332	340	340	392	316	187	191	191	261	249	169	249	249	249	249
18	357	365	365	422	340	205	205	205	280	274	182	274	274	274	267
19	383	392	392	453	365	221	221	221	301	287	196	294	294	294	287
20	412	412	412	475	392	237	237	237	316	309	210	316	316	316	309

S-parameters

Gali-1(+)

$I_d=40\text{mA}$, $V_d=3.4\text{V}$

Freq. MHz	S11 (Input Return Loss)			S21 (Power Gain)			S12 (Isolation Out-in)			S22 (Output Return Loss)			K
	dB	Mag	Angle	dB	Mag	Angle	dB	Mag	Angle	dB	Mag	Angle	
100.00	-21.35	0.09	173.89	12.85	4.39	176.80	-17.07	0.14	0.21	-25.48	0.05	-168.78	1.12
200.00	-21.57	0.08	170.88	12.73	4.33	173.04	-16.56	0.15	-1.63	-25.53	0.05	-175.83	1.10
400.00	-21.01	0.09	157.36	12.63	4.28	166.62	-16.47	0.15	-3.30	-24.33	0.06	-175.88	1.10
600.00	-20.69	0.09	149.39	12.60	4.27	160.20	-16.57	0.15	-5.99	-23.31	0.07	-175.58	1.10
800.00	-20.13	0.10	139.42	12.51	4.22	153.80	-16.66	0.15	-7.51	-22.28	0.08	-175.06	1.11
1000.00	-19.63	0.10	131.52	12.42	4.18	147.56	-16.71	0.15	-9.67	-21.28	0.09	-175.71	1.12
1200.00	-19.27	0.11	126.91	12.34	4.14	141.43	-16.72	0.15	-11.36	-20.22	0.10	-177.50	1.12
1400.00	-18.93	0.11	120.14	12.21	4.08	135.29	-16.79	0.14	-12.98	-19.58	0.11	-178.22	1.13
1600.00	-18.47	0.12	113.65	12.09	4.02	129.26	-16.86	0.14	-14.60	-18.45	0.12	-178.97	1.14
1800.00	-18.29	0.12	107.64	11.97	3.97	123.34	-16.93	0.14	-16.99	-17.71	0.13	-178.73	1.16
2000.00	-18.00	0.13	102.53	11.83	3.90	117.68	-17.02	0.14	-18.06	-16.93	0.14	-176.58	1.17
2200.00	-17.89	0.13	97.35	11.71	3.85	112.00	-17.01	0.14	-19.91	-16.51	0.15	-174.48	1.18
2500.00	-18.29	0.12	90.73	11.53	3.77	103.55	-17.22	0.14	-23.17	-16.02	0.16	-172.05	1.20
2800.00	-18.37	0.12	81.33	11.35	3.69	95.34	-17.22	0.14	-26.31	-15.45	0.17	-168.54	1.22
3000.00	-18.50	0.12	77.88	11.24	3.65	90.11	-17.27	0.14	-28.47	-15.35	0.17	-164.85	1.23
3200.00	-18.76	0.12	75.27	11.12	3.60	84.74	-17.41	0.13	-30.65	-15.32	0.17	-160.95	1.25
3400.00	-18.93	0.11	71.78	11.02	3.56	79.30	-17.50	0.13	-33.23	-15.13	0.18	-157.32	1.27
3600.00	-19.24	0.11	67.55	10.94	3.52	74.16	-17.62	0.13	-35.53	-14.95	0.18	-153.02	1.28
3800.00	-19.19	0.11	64.69	10.84	3.48	68.84	-17.80	0.13	-37.60	-14.64	0.19	-147.79	1.31
4000.00	-18.90	0.11	62.38	10.76	3.45	63.59	-17.91	0.13	-41.36	-14.29	0.19	-142.20	1.32
4200.00	-18.65	0.12	61.76	10.66	3.41	58.52	-17.98	0.13	-43.82	-14.05	0.20	-135.91	1.34
4400.00	-18.61	0.12	59.65	10.61	3.39	53.49	-18.12	0.12	-47.19	-13.61	0.21	-130.52	1.35
4600.00	-18.44	0.12	56.86	10.54	3.37	48.53	-18.29	0.12	-50.20	-13.11	0.22	-125.27	1.38
4800.00	-18.10	0.12	54.96	10.48	3.34	43.21	-18.42	0.12	-53.77	-12.41	0.24	-120.09	1.39
5000.00	-17.63	0.13	53.91	10.44	3.33	38.06	-18.54	0.12	-57.18	-12.00	0.25	-114.65	1.40
5200.00	-17.09	0.14	51.96	10.39	3.31	32.95	-18.71	0.12	-61.19	-11.54	0.26	-109.59	1.42
5400.00	-16.88	0.14	47.70	10.38	3.30	27.98	-18.83	0.11	-64.53	-11.04	0.28	-105.82	1.42
5600.00	-16.88	0.14	42.51	10.44	3.33	22.92	-19.05	0.11	-68.51	-10.65	0.29	-102.35	1.43
5800.00	-16.62	0.15	36.92	10.54	3.37	17.82	-19.06	0.11	-73.41	-10.18	0.31	-98.77	1.41
6000.00	-16.29	0.15	34.75	10.61	3.39	12.13	-19.17	0.11	-77.23	-9.75	0.33	-94.79	1.40
6200.00	-15.54	0.17	28.79	10.76	3.45	7.01	-19.26	0.11	-84.32	-9.55	0.33	-92.40	1.39
6400.00	-15.75	0.16	20.35	11.03	3.56	0.45	-19.46	0.11	-89.66	-8.89	0.36	-89.68	1.36
6600.00	-16.06	0.16	16.33	11.16	3.61	-6.84	-19.53	0.11	-94.96	-8.23	0.39	-84.72	1.33
6800.00	-15.40	0.17	11.66	11.26	3.66	-14.28	-19.60	0.10	-100.70	-7.65	0.41	-78.61	1.31
7000.00	-14.70	0.18	8.06	11.31	3.68	-21.99	-19.54	0.11	-107.73	-7.25	0.43	-71.41	1.27
7500.00	-12.86	0.23	1.52	11.46	3.74	-42.43	-19.49	0.11	-127.26	-6.02	0.50	-52.45	1.18
8000.00	-9.86	0.32	-10.25	11.19	3.63	-66.93	-19.71	0.10	-147.14	-4.76	0.58	-26.30	1.10

勝特力材料 886-3-5753170
 勝特力电子(上海) 86-21-54151736
 勝特力电子(深圳) 86-755-83298787
[Http://www.100y.com.tw](http://www.100y.com.tw)



INTERNET <http://www.minicircuits.com>



P.O. Box 350166, Brooklyn, New York 11235-0003 (718) 934-4500 Fax (718) 332-4661
 Distribution Centers NORTH AMERICA 800-654-7949 • 417-335-5935 • Fax 417-335-5945 • EUROPE 44-1252-832600 • Fax 44-1252-837010

Mini-Circuits ISO 9001 & ISO 14001 Certified

S-parameters

Gali-21(+)

$I_d=40\text{mA}$, $V_d=3.5\text{V}$

Freq. MHz	S11 (Input Return Loss)			S21 (Power Gain)			S12 (Isolation Out-in)			S22 (Output Return Loss)			K
	dB	Mag	Angle	dB	Mag	Angle	dB	Mag	Angle	dB	Mag	Angle	
100.00	-27.71	0.04	5.02	14.34	5.21	176.30	-18.03	0.13	-2.20	-24.45	0.06	-12.08	1.09
200.00	-29.64	0.03	3.23	14.28	5.18	172.61	-17.76	0.13	-2.80	-24.69	0.06	-20.19	1.08
400.00	-29.04	0.04	11.17	14.23	5.15	165.77	-17.50	0.13	-3.52	-24.28	0.06	-38.44	1.07
600.00	-28.79	0.04	23.79	14.12	5.08	158.79	-17.56	0.13	-5.67	-23.94	0.06	-56.22	1.08
800.00	-28.71	0.04	28.44	14.02	5.02	151.99	-17.70	0.13	-7.37	-23.24	0.07	-76.19	1.09
1000.00	-28.29	0.04	36.93	13.91	4.96	145.23	-17.67	0.13	-9.54	-21.98	0.08	-92.02	1.09
1200.00	-28.03	0.04	40.13	13.79	4.89	138.49	-17.77	0.13	-11.02	-20.88	0.09	-105.94	1.10
1400.00	-27.59	0.04	42.90	13.66	4.82	132.02	-17.83	0.13	-12.77	-19.71	0.10	-117.70	1.11
1600.00	-27.14	0.04	44.62	13.54	4.75	125.76	-17.83	0.13	-15.20	-18.46	0.12	-128.36	1.12
1800.00	-26.42	0.05	45.25	13.38	4.67	119.26	-17.88	0.13	-16.65	-17.45	0.13	-136.67	1.13
2000.00	-26.32	0.05	42.36	13.25	4.60	113.30	-18.02	0.13	-18.99	-16.63	0.15	-143.79	1.14
2200.00	-25.81	0.05	40.37	13.09	4.51	107.05	-17.95	0.13	-20.44	-15.73	0.16	-150.18	1.14
2500.00	-26.28	0.05	31.57	12.85	4.39	98.39	-18.12	0.12	-23.72	-14.91	0.18	-156.67	1.17
2800.00	-25.84	0.05	23.68	12.64	4.29	89.72	-18.25	0.12	-27.24	-14.24	0.19	-164.05	1.19
3000.00	-26.67	0.05	17.04	12.51	4.22	83.95	-18.33	0.12	-29.30	-13.94	0.20	-169.05	1.20
3200.00	-27.51	0.04	13.80	12.40	4.17	78.30	-18.36	0.12	-31.23	-13.70	0.21	-173.86	1.21
3400.00	-28.10	0.04	10.54	12.27	4.11	72.86	-18.45	0.12	-33.79	-13.58	0.21	-179.45	1.23
3600.00	-28.69	0.04	8.97	12.18	4.06	67.49	-18.51	0.12	-36.69	-13.43	0.21	-175.35	1.24
3800.00	-29.50	0.03	9.58	12.09	4.02	61.98	-18.60	0.12	-38.63	-13.14	0.22	-169.12	1.25
4000.00	-30.10	0.03	15.60	11.99	3.98	56.49	-18.65	0.12	-41.96	-12.86	0.23	-162.52	1.26
4200.00	-31.10	0.03	20.54	11.90	3.94	51.12	-18.75	0.12	-44.81	-12.69	0.23	-155.36	1.27
4400.00	-30.64	0.03	30.71	11.85	3.91	45.70	-18.91	0.11	-48.68	-12.27	0.24	-148.52	1.29
4600.00	-30.66	0.03	40.54	11.81	3.90	40.30	-19.06	0.11	-51.97	-11.85	0.26	-141.95	1.30
4800.00	-29.81	0.03	54.26	11.77	3.88	34.75	-19.16	0.11	-55.41	-11.41	0.27	-135.05	1.31
5000.00	-27.69	0.04	59.15	11.73	3.86	29.12	-19.18	0.11	-59.06	-10.98	0.28	-128.86	1.30
5200.00	-26.05	0.05	60.45	11.67	3.83	23.64	-19.28	0.11	-63.27	-10.65	0.29	-123.18	1.31
5400.00	-25.02	0.06	53.12	11.64	3.82	18.60	-19.53	0.11	-67.02	-10.18	0.31	-117.79	1.33
5600.00	-24.70	0.06	48.17	11.73	3.86	13.41	-19.61	0.10	-71.77	-9.78	0.32	-112.80	1.32
5800.00	-24.83	0.06	42.66	11.88	3.93	7.96	-19.67	0.10	-77.07	-9.36	0.34	-107.39	1.30
6000.00	-23.48	0.07	49.46	11.99	3.98	1.59	-19.66	0.10	-81.21	-8.89	0.36	-103.09	1.27
6200.00	-22.44	0.08	34.24	12.20	4.07	-4.37	-19.72	0.10	-87.84	-8.44	0.38	-99.90	1.24
6400.00	-23.14	0.07	26.61	12.47	4.20	-11.54	-19.94	0.10	-93.91	-7.55	0.42	-95.39	1.20
6600.00	-23.24	0.07	30.31	12.66	4.30	-19.50	-20.01	0.10	-99.12	-6.91	0.45	-88.39	1.15
6800.00	-21.47	0.08	30.17	12.79	4.36	-28.00	-19.91	0.10	-105.19	-6.40	0.48	-80.93	1.11
7000.00	-19.89	0.10	28.21	12.81	4.37	-36.63	-19.73	0.10	-113.63	-6.08	0.50	-72.95	1.07
7500.00	-15.04	0.18	18.19	12.93	4.43	-59.63	-19.43	0.11	-133.32	-5.02	0.56	-48.71	0.96
8000.00	-10.38	0.30	0.44	12.42	4.18	-86.72	-19.43	0.11	-156.04	-4.30	0.61	-18.47	0.89

勝特力材料 886-3-5753170
 勝特力电子(上海) 86-21-54151736
 勝特力电子(深圳) 86-755-83298787
[Http://www.100y.com.tw](http://www.100y.com.tw)



INTERNET <http://www.minicircuits.com>



P.O. Box 350166, Brooklyn, New York 11235-0003 (718) 934-4500 Fax (718) 332-4661
 Distribution Centers NORTH AMERICA 800-654-7949 • 417-335-5935 • Fax 417-335-5945 • EUROPE 44-1252-832600 • Fax 44-1252-837010

Mini-Circuits ISO 9001 & ISO 14001 Certified

S-parameters

Gali-2(+)

$I_d=40\text{mA}$, $V_d=3.5\text{V}$

Freq. MHz	S11 (Input Return Loss)			S21 (Power Gain)			S12 (Isolation Out-in)			S22 (Output Return Loss)			K
	dB	Mag	Angle	dB	Mag	Angle	dB	Mag	Angle	dB	Mag	Angle	
100.00	-12.33	0.24	-0.40	16.20	6.46	176.48	-20.05	0.10	-0.80	-11.47	0.27	-5.09	1.07
200.00	-12.22	0.25	-1.44	16.07	6.36	172.74	-19.64	0.10	-1.07	-11.55	0.26	-8.06	1.06
400.00	-12.31	0.24	-1.45	15.98	6.30	165.63	-19.51	0.11	-3.57	-11.73	0.26	-16.53	1.06
600.00	-12.32	0.24	-2.91	15.93	6.26	158.80	-19.49	0.11	-5.45	-12.00	0.25	-24.31	1.06
800.00	-12.38	0.24	-3.86	15.80	6.17	151.85	-19.61	0.10	-6.33	-12.27	0.24	-32.85	1.07
1000.00	-12.32	0.24	-5.12	15.66	6.07	145.18	-19.56	0.11	-8.23	-12.55	0.24	-42.07	1.07
1200.00	-12.33	0.24	-6.85	15.51	5.96	138.73	-19.67	0.10	-9.78	-12.76	0.23	-50.95	1.08
1400.00	-12.29	0.24	-8.36	15.34	5.85	132.14	-19.72	0.10	-10.96	-12.95	0.23	-59.93	1.10
1600.00	-12.19	0.25	-9.49	15.15	5.72	125.98	-19.92	0.10	-12.40	-13.06	0.22	-70.15	1.12
1800.00	-12.06	0.25	-11.56	14.95	5.59	119.81	-20.02	0.10	-14.42	-13.13	0.22	-79.29	1.13
2000.00	-11.98	0.25	-14.07	14.75	5.46	114.04	-20.20	0.10	-15.65	-13.12	0.22	-88.89	1.15
2200.00	-11.82	0.26	-16.62	14.54	5.33	107.98	-20.34	0.10	-16.61	-13.03	0.22	-96.36	1.17
2500.00	-11.52	0.27	-21.86	14.21	5.13	99.68	-20.61	0.09	-20.05	-12.88	0.23	-107.16	1.21
2800.00	-11.24	0.27	-26.46	13.93	4.97	91.68	-20.85	0.09	-22.68	-12.76	0.23	-116.73	1.25
3000.00	-11.10	0.28	-30.41	13.74	4.86	86.50	-21.00	0.09	-23.56	-12.68	0.23	-122.47	1.28
3200.00	-11.02	0.28	-34.24	13.55	4.76	81.34	-21.29	0.09	-26.10	-12.67	0.23	-128.05	1.32
3400.00	-10.90	0.29	-37.61	13.39	4.67	76.19	-21.59	0.08	-27.63	-12.67	0.23	-133.86	1.36
3600.00	-10.78	0.29	-40.97	13.24	4.59	71.27	-21.69	0.08	-28.51	-12.73	0.23	-139.32	1.39
3800.00	-10.69	0.29	-44.00	13.09	4.51	66.38	-22.01	0.08	-29.47	-12.77	0.23	-145.92	1.43
4000.00	-10.64	0.29	-47.43	12.96	4.45	61.46	-22.36	0.08	-33.09	-12.86	0.23	-152.89	1.49
4200.00	-10.57	0.30	-50.51	12.84	4.39	56.87	-22.73	0.07	-34.52	-12.89	0.23	-158.19	1.55
4400.00	-10.40	0.30	-53.03	12.78	4.36	52.12	-22.97	0.07	-36.42	-12.86	0.23	-166.17	1.59
4600.00	-10.40	0.30	-56.52	12.70	4.32	47.14	-23.16	0.07	-38.88	-12.70	0.23	-174.34	1.62
4800.00	-10.39	0.30	-59.39	12.60	4.27	42.34	-23.65	0.07	-40.64	-12.53	0.24	-177.06	1.70
5000.00	-10.42	0.30	-63.24	12.52	4.23	37.33	-24.09	0.06	-43.58	-12.35	0.24	-169.87	1.78
5200.00	-10.30	0.31	-65.16	12.45	4.19	32.66	-24.25	0.06	-47.87	-12.14	0.25	-161.86	1.81
5400.00	-10.03	0.32	-67.67	12.40	4.17	27.91	-24.78	0.06	-50.46	-11.85	0.26	-155.80	1.90
5600.00	-9.62	0.33	-71.01	12.42	4.18	23.67	-25.44	0.05	-51.79	-11.50	0.27	-150.70	1.99
5800.00	-9.16	0.35	-74.91	12.56	4.25	19.04	-25.83	0.05	-56.10	-11.07	0.28	-146.02	2.01
6000.00	-9.02	0.35	-79.61	12.62	4.28	13.96	-26.47	0.05	-58.84	-10.57	0.30	-140.66	2.10
6200.00	-8.32	0.38	-80.88	12.84	4.39	9.61	-27.72	0.04	-69.79	-9.84	0.32	-139.39	2.27
6400.00	-7.49	0.42	-86.84	13.13	4.53	3.26	-29.51	0.03	-69.85	-9.04	0.35	-134.45	2.51
6600.00	-7.18	0.44	-94.09	13.29	4.62	-3.47	-29.35	0.03	-67.82	-8.25	0.39	-127.55	2.31
6800.00	-7.01	0.45	-99.80	13.46	4.71	-10.29	-30.17	0.03	-70.19	-7.73	0.41	-120.60	2.39
7000.00	-6.76	0.46	-105.51	13.61	4.79	-17.28	-30.45	0.03	-79.04	-7.03	0.45	-113.80	2.32
7500.00	-6.37	0.48	-120.75	14.17	5.11	-36.19	-31.73	0.03	-90.15	-6.05	0.50	-93.82	2.29
8000.00	-7.11	0.44	-138.78	14.65	5.40	-61.00	-30.03	0.03	-108.71	-5.04	0.56	-64.61	1.73

勝特力材料 886-3-5753170
 勝特力电子(上海) 86-21-54151736
 勝特力电子(深圳) 86-755-83298787
[Http://www.100y.com.tw](http://www.100y.com.tw)



INTERNET <http://www.minicircuits.com>



P.O. Box 350166, Brooklyn, New York 11235-0003 (718) 934-4500 Fax (718) 332-4661

Distribution Centers NORTH AMERICA 800-654-7949 • 417-335-5935 • Fax 417-335-5945 • EUROPE 44-1252-832600 • Fax 44-1252-837010

Mini-Circuits ISO 9001 & ISO 14001 Certified

S-parameters

Gali-33(+)

$I_d=40\text{mA}$, $V_d=4.3$

Freq. MHz	S11 (Input Return Loss)			S21 (Power Gain)			S12 (Isolation Out-in)			S22 (Output Return Loss)			K
	dB	Mag	Angle	dB	Mag	Angle	dB	Mag	Angle	dB	Mag	Angle	
100.00	-24.23	0.06	4.64	19.23	9.15	175.70	-21.75	0.08	0.02	-19.84	0.10	-4.83	1.04
200.00	-23.11	0.07	20.25	19.22	9.14	171.74	-21.97	0.08	-2.56	-19.67	0.10	-7.45	1.05
400.00	-21.86	0.08	32.56	19.10	9.02	163.64	-21.72	0.08	-3.99	-19.93	0.10	-15.87	1.04
600.00	-19.78	0.10	38.90	19.00	8.91	155.86	-21.54	0.08	-5.09	-20.56	0.09	-26.67	1.04
800.00	-18.11	0.12	39.50	18.84	8.75	148.46	-21.78	0.08	-7.11	-21.19	0.09	-37.59	1.05
1000.00	-16.75	0.15	37.36	18.63	8.54	140.88	-21.90	0.08	-7.71	-21.56	0.08	-48.46	1.06
1200.00	-15.69	0.16	34.50	18.46	8.38	133.66	-22.01	0.08	-9.57	-22.11	0.08	-59.78	1.07
1400.00	-14.68	0.18	30.89	18.21	8.14	126.68	-22.12	0.08	-10.54	-21.99	0.08	-73.22	1.09
1600.00	-13.93	0.20	25.90	17.97	7.92	119.76	-22.32	0.08	-13.46	-21.89	0.08	-86.66	1.11
1800.00	-13.20	0.22	21.18	17.75	7.72	113.41	-22.46	0.08	-13.25	-21.47	0.08	-99.04	1.12
2000.00	-12.68	0.23	15.62	17.51	7.51	106.95	-22.55	0.07	-15.27	-20.99	0.09	-109.66	1.14
2200.00	-12.25	0.24	9.84	17.26	7.29	100.79	-22.78	0.07	-16.25	-20.51	0.09	-115.84	1.17
2500.00	-11.60	0.26	0.97	16.93	7.02	91.63	-23.05	0.07	-18.49	-19.52	0.11	-124.80	1.20
2800.00	-11.07	0.28	-7.42	16.58	6.75	83.07	-23.48	0.07	-20.69	-18.81	0.11	-131.66	1.26
3000.00	-10.80	0.29	-13.47	16.41	6.61	77.39	-23.74	0.07	-22.21	-18.54	0.12	-135.62	1.30
3200.00	-10.51	0.30	-19.39	16.21	6.46	71.91	-24.00	0.06	-22.72	-18.30	0.12	-139.80	1.34
3400.00	-10.23	0.31	-24.85	16.03	6.33	66.41	-24.44	0.06	-23.62	-17.99	0.13	-144.75	1.40
3600.00	-9.95	0.32	-30.03	15.90	6.24	61.02	-24.66	0.06	-25.43	-17.78	0.13	-148.09	1.43
3800.00	-9.69	0.33	-35.24	15.78	6.15	55.79	-25.12	0.06	-25.31	-17.81	0.13	-153.59	1.49
4000.00	-9.55	0.33	-39.79	15.63	6.05	50.37	-25.56	0.05	-27.66	-17.65	0.13	-159.85	1.56
4200.00	-9.32	0.34	-44.51	15.51	5.96	45.26	-26.04	0.05	-28.30	-17.68	0.13	-166.81	1.64
4400.00	-9.05	0.35	-48.88	15.45	5.92	40.29	-26.52	0.05	-29.62	-17.36	0.14	-173.31	1.71
4600.00	-8.83	0.36	-53.97	15.44	5.92	34.93	-27.07	0.04	-29.00	-16.88	0.14	178.82	1.78
4800.00	-8.61	0.37	-58.85	15.40	5.89	29.62	-27.56	0.04	-29.31	-16.18	0.16	170.51	1.85
5000.00	-8.46	0.38	-63.80	15.39	5.88	24.02	-28.22	0.04	-30.48	-15.63	0.17	161.94	1.96
5200.00	-8.21	0.39	-67.76	15.37	5.87	18.61	-28.96	0.04	-31.24	-15.04	0.18	155.70	2.08
5400.00	-7.76	0.41	-72.05	15.40	5.89	13.46	-29.45	0.03	-33.06	-14.34	0.19	150.59	2.13
5600.00	-7.25	0.43	-77.14	15.54	5.98	8.42	-30.97	0.03	-31.11	-13.53	0.21	147.20	2.38
5800.00	-6.55	0.47	-83.27	15.78	6.15	2.68	-32.13	0.02	-30.41	-12.71	0.23	144.43	2.49
6000.00	-6.44	0.48	-89.96	15.93	6.26	-3.61	-32.72	0.02	-28.80	-11.98	0.25	140.78	2.56
6200.00	-5.51	0.53	-93.44	16.32	6.55	-9.25	-36.52	0.02	-19.99	-10.93	0.28	141.67	3.40
6400.00	-4.54	0.59	-103.21	16.72	6.85	-17.96	-36.01	0.02	3.67	-9.20	0.35	134.73	2.54
6600.00	-4.22	0.62	-112.99	16.94	7.03	-26.93	-33.14	0.02	9.15	-8.34	0.38	126.37	1.59
6800.00	-3.89	0.64	-122.00	17.09	7.15	-35.92	-33.62	0.02	10.66	-7.56	0.42	117.20	1.46
7000.00	-3.63	0.66	-131.39	17.26	7.29	-45.09	-32.79	0.02	10.79	-6.94	0.45	110.46	1.15
7500.00	-3.35	0.68	-158.13	17.64	7.62	-71.46	-31.07	0.03	-0.34	-5.09	0.56	86.42	0.60
8000.00	-4.67	0.58	166.79	17.24	7.28	-104.65	-32.07	0.03	-46.70	-4.06	0.63	51.93	0.83

勝特力材料 886-3-5753170
 勝特力电子(上海) 86-21-54151736
 勝特力电子(深圳) 86-755-83298787
[Http://www.100y.com.tw](http://www.100y.com.tw)



INTERNET <http://www.minicircuits.com>



P.O. Box 350166, Brooklyn, New York 11235-0003 (718) 934-4500 Fax (718) 332-4661
 Distribution Centers NORTH AMERICA 800-654-7949 • 417-335-5935 • Fax 417-335-5945 • EUROPE 44-1252-832600 • Fax 44-1252-837010

Mini-Circuits ISO 9001 & ISO 14001 Certified

S-parameters

Gali-3 (+)

$I_d=35\text{mA}$, $V_d=3.3\text{V}$

Freq. MHz	S11 (Input Return Loss)			S21 (Power Gain)			S12 (Isolation Out-in)			S22 (Output Return Loss)			K
	dB	Mag	Angle	dB	Mag	Angle	dB	Mag	Angle	dB	Mag	Angle	
100.00	-28.31	0.04	129.62	22.25	12.96	174.88	-24.76	0.06	-0.20	-33.17	0.02	-176.27	1.04
200.00	-25.44	0.05	121.54	22.16	12.82	169.66	-24.06	0.06	0.66	-30.94	0.03	-176.36	1.02
400.00	-21.55	0.08	96.27	21.99	12.57	160.63	-23.92	0.06	0.35	-30.65	0.03	-176.06	1.02
600.00	-18.42	0.12	81.49	21.70	12.16	150.82	-24.06	0.06	-0.48	-29.50	0.03	-175.92	1.03
800.00	-16.58	0.15	71.48	21.37	11.71	142.05	-24.09	0.06	-1.42	-27.35	0.04	-177.16	1.04
1000.00	-15.19	0.17	62.50	20.99	11.21	133.66	-24.04	0.06	-2.32	-26.07	0.05	-178.72	1.04
1200.00	-14.25	0.19	54.52	20.58	10.69	125.57	-24.03	0.06	-1.87	-25.01	0.06	-179.91	1.05
1400.00	-13.55	0.21	47.17	20.16	10.19	118.23	-24.06	0.06	-1.96	-24.14	0.06	178.19	1.07
1600.00	-12.97	0.22	39.78	19.78	9.75	111.51	-24.10	0.06	-2.57	-22.92	0.07	176.26	1.09
1800.00	-12.48	0.24	32.86	19.37	9.30	104.51	-24.10	0.06	-2.00	-22.10	0.08	174.61	1.10
2000.00	-12.13	0.25	26.09	18.99	8.90	98.16	-24.37	0.06	-3.28	-21.60	0.08	173.49	1.14
2200.00	-11.81	0.26	20.10	18.59	8.50	92.03	-24.28	0.06	-3.17	-20.93	0.09	172.38	1.16
2500.00	-11.49	0.27	10.09	18.01	7.95	83.38	-24.35	0.06	-3.19	-20.73	0.09	171.12	1.20
2800.00	-10.95	0.28	1.30	17.51	7.51	75.24	-24.58	0.06	-4.02	-20.35	0.10	169.73	1.25
3000.00	-10.82	0.29	-4.71	17.22	7.26	69.85	-24.69	0.06	-5.16	-20.22	0.10	167.80	1.29
3200.00	-10.73	0.29	-9.76	16.93	7.02	64.60	-24.69	0.06	-4.69	-20.30	0.10	164.83	1.32
3400.00	-10.61	0.29	-14.58	16.66	6.81	59.60	-24.80	0.06	-5.15	-20.42	0.10	160.89	1.35
3600.00	-10.49	0.30	-18.99	16.42	6.62	54.58	-24.92	0.06	-7.04	-20.31	0.10	157.09	1.39
3800.00	-10.34	0.30	-22.87	16.18	6.44	49.89	-24.99	0.06	-7.20	-20.46	0.09	151.84	1.42
4000.00	-10.20	0.31	-26.82	16.03	6.33	45.15	-25.33	0.05	-8.37	-20.07	0.10	146.03	1.47
4200.00	-10.17	0.31	-31.67	15.86	6.21	40.08	-25.32	0.05	-8.76	-19.91	0.10	140.14	1.49
4400.00	-10.06	0.31	-35.89	15.73	6.12	35.32	-25.71	0.05	-9.95	-19.21	0.11	134.56	1.55
4600.00	-10.00	0.32	-40.82	15.63	6.05	30.41	-25.80	0.05	-10.38	-18.57	0.12	128.27	1.57
4800.00	-10.02	0.32	-45.09	15.53	5.98	25.40	-26.05	0.05	-9.92	-17.61	0.13	122.87	1.62
5000.00	-10.00	0.32	-50.00	15.45	5.92	20.33	-26.15	0.05	-12.76	-16.92	0.14	118.07	1.63
5200.00	-9.95	0.32	-53.87	15.37	5.87	15.57	-26.45	0.05	-13.73	-16.55	0.15	113.73	1.69
5400.00	-9.58	0.33	-57.94	15.33	5.84	11.12	-26.85	0.05	-15.07	-16.49	0.15	109.57	1.74
5600.00	-9.08	0.35	-63.27	15.45	5.92	6.64	-27.50	0.04	-15.68	-16.62	0.15	105.92	1.81
5800.00	-8.44	0.38	-70.03	15.65	6.06	1.87	-28.14	0.04	-17.01	-16.29	0.15	103.89	1.84
6000.00	-8.54	0.37	-76.17	15.82	6.18	-4.08	-27.99	0.04	-20.88	-15.70	0.16	102.27	1.78
6200.00	-7.55	0.42	-79.31	16.16	6.43	-10.04	-29.48	0.03	-24.03	-15.16	0.17	99.97	1.92
6400.00	-6.60	0.47	-88.45	16.47	6.66	-18.01	-30.29	0.03	-15.93	-13.24	0.22	97.48	1.85
6600.00	-6.44	0.48	-98.36	16.61	6.77	-26.00	-30.22	0.03	-16.00	-11.98	0.25	94.69	1.75
6800.00	-6.28	0.49	-106.54	16.72	6.85	-34.53	-30.50	0.03	-21.50	-11.31	0.27	86.84	1.73
7000.00	-6.21	0.49	-114.44	16.79	6.91	-42.76	-31.35	0.03	-25.13	-10.86	0.29	72.50	1.83
7500.00	-6.44	0.48	-137.28	17.17	7.22	-66.02	-32.94	0.02	-32.84	-9.01	0.35	53.87	2.00
8000.00	-8.92	0.36	-171.92	16.97	7.06	-96.13	-33.69	0.02	-70.63	-7.50	0.42	32.01	2.39

勝特力材料 886-3-5753170
 勝特力电子(上海) 86-21-54151736
 勝特力电子(深圳) 86-755-83298787
[Http://www.100y.com.tw](http://www.100y.com.tw)



INTERNET <http://www.minicircuits.com>



P.O. Box 350166, Brooklyn, New York 11235-0003 (718) 934-4500 Fax (718) 332-4661

Distribution Centers NORTH AMERICA 800-654-7949 • 417-335-5935 • Fax 417-335-5945 • EUROPE 44-1252-832600 • Fax 44-1252-837010

Mini-Circuits ISO 9001 & ISO 14001 Certified

S-parameters

Gali-6F(+)

$I_d=50\text{mA}$, $V_d=4.8\text{V}$

Freq. MHz	S11 (Input Return Loss)			S21 (Power Gain)			S12 (Isolation Out-in)			S22 (Output Return Loss)			K
	dB	Mag	Angle	dB	Mag	Angle	dB	Mag	Angle	dB	Mag	Angle	
100.00	-12.49	0.24	-2.52	12.05	4.00	175.95	-17.04	0.14	1.17	-10.29	0.31	-4.87	1.11
200.00	-12.79	0.23	-3.73	12.08	4.02	172.59	-17.05	0.14	-3.80	-10.25	0.31	-8.76	1.11
400.00	-12.89	0.23	-8.00	12.03	3.99	164.94	-17.12	0.14	-3.84	-10.40	0.30	-18.61	1.12
600.00	-13.02	0.22	-12.13	11.97	3.97	157.66	-17.01	0.14	-6.84	-10.54	0.30	-27.90	1.12
800.00	-13.07	0.22	-16.15	11.92	3.94	150.43	-17.09	0.14	-8.50	-10.61	0.29	-37.13	1.13
1000.00	-13.13	0.22	-20.78	11.85	3.91	143.12	-17.11	0.14	-11.44	-10.66	0.29	-47.16	1.13
1200.00	-13.20	0.22	-24.95	11.80	3.89	135.89	-17.18	0.14	-13.22	-10.67	0.29	-57.23	1.14
1400.00	-13.33	0.22	-29.00	11.74	3.86	128.87	-17.34	0.14	-15.50	-10.59	0.30	-67.54	1.15
1600.00	-13.51	0.21	-33.63	11.67	3.83	121.83	-17.35	0.14	-17.22	-10.58	0.30	-76.95	1.15
1800.00	-13.54	0.21	-38.52	11.58	3.79	114.82	-17.36	0.14	-20.68	-10.36	0.30	-86.25	1.15
2000.00	-13.33	0.22	-43.97	11.48	3.75	108.10	-17.48	0.13	-22.14	-10.13	0.31	-95.26	1.16
2200.00	-13.18	0.22	-48.71	11.41	3.72	101.52	-17.55	0.13	-24.69	-9.85	0.32	-103.22	1.16
2500.00	-12.97	0.22	-56.91	11.30	3.67	91.73	-17.71	0.13	-28.36	-9.48	0.34	-114.25	1.16
2800.00	-12.76	0.23	-66.13	11.20	3.63	81.92	-17.73	0.13	-31.69	-9.12	0.35	-123.84	1.16
3000.00	-12.46	0.24	-72.47	11.16	3.61	75.73	-17.90	0.13	-34.00	-8.91	0.36	-130.45	1.16
3200.00	-12.30	0.24	-78.13	11.12	3.60	69.50	-17.97	0.13	-36.63	-8.76	0.36	-136.49	1.16
3400.00	-12.30	0.24	-83.93	11.13	3.60	63.13	-17.86	0.13	-38.32	-8.65	0.37	-143.05	1.14
3600.00	-12.33	0.24	-90.79	11.13	3.60	56.60	-18.04	0.13	-41.00	-8.58	0.37	-149.96	1.15
3800.00	-12.20	0.25	-97.73	11.19	3.63	50.23	-17.98	0.13	-43.67	-8.48	0.38	-157.24	1.12
4000.00	-11.97	0.25	-104.32	11.24	3.65	43.71	-18.04	0.13	-46.55	-8.32	0.38	-165.21	1.11
4200.00	-11.95	0.25	-109.80	11.33	3.69	37.38	-17.93	0.13	-49.17	-8.12	0.39	-173.46	1.08
4400.00	-11.97	0.25	-115.95	11.40	3.72	30.69	-17.98	0.13	-52.77	-7.84	0.41	-177.59	1.06
4600.00	-11.98	0.25	-123.45	11.47	3.75	23.85	-17.90	0.13	-56.30	-7.55	0.42	-168.55	1.03
4800.00	-11.90	0.25	-131.67	11.55	3.78	16.75	-17.87	0.13	-59.67	-7.22	0.44	-159.51	0.99
5000.00	-11.93	0.25	-139.47	11.64	3.82	9.50	-17.63	0.13	-64.27	-6.83	0.46	-149.96	0.94
5200.00	-12.12	0.25	-146.51	11.80	3.89	2.49	-17.63	0.13	-69.19	-6.47	0.47	-141.07	0.91
5400.00	-12.03	0.25	-153.92	11.98	3.97	-4.43	-17.48	0.13	-73.75	-6.03	0.50	-132.07	0.86
5600.00	-11.82	0.26	-162.26	12.23	4.09	-11.75	-17.37	0.14	-78.74	-5.55	0.53	-123.76	0.80
5800.00	-11.28	0.27	-170.68	12.55	4.24	-20.30	-17.27	0.14	-83.84	-4.94	0.57	-114.86	0.73
6000.00	-10.83	0.29	177.70	12.86	4.40	-29.60	-17.03	0.14	-89.08	-4.23	0.61	-105.76	0.64
6200.00	-10.77	0.29	166.18	13.16	4.55	-39.77	-16.71	0.15	-95.36	-3.63	0.66	-95.50	0.57
6400.00	-10.19	0.31	152.84	13.43	4.69	-50.46	-16.28	0.15	-102.16	-3.04	0.70	-84.98	0.49
6600.00	-9.88	0.32	134.52	13.61	4.79	-62.59	-15.79	0.16	-110.04	-2.45	0.75	-72.40	0.41
6800.00	-9.82	0.32	116.75	13.56	4.76	-75.17	-15.37	0.17	-119.12	-2.04	0.79	-58.59	0.36
7000.00	-9.88	0.32	97.52	13.30	4.62	-87.72	-15.08	0.18	-128.32	-1.83	0.81	-44.42	0.34
7500.00	-8.92	0.36	43.13	12.11	4.03	-120.81	-14.57	0.19	-154.91	-1.63	0.83	6.93	0.31
8000.00	-7.78	0.41	0.93	9.73	3.07	-150.74	-15.06	0.18	-179.48	-2.27	0.77	-26.49	0.41
8500.00	-7.11	0.44	-21.96	6.99	2.24	-171.71	-15.79	0.16	165.52	-3.23	0.69	-47.65	0.63
9000.00	-7.23	0.44	-33.88	4.79	1.74	170.08	-16.04	0.16	154.84	-4.33	0.61	-60.99	0.94
9500.00	-7.04	0.44	-32.84	2.55	1.34	157.64	-15.19	0.17	149.52	-6.00	0.50	-61.58	1.18

勝特力材料 886-3-5753170
 勝特力电子(上海) 86-21-54151736
 勝特力电子(深圳) 86-755-83298787
[Http://www.100y.com.tw](http://www.100y.com.tw)



INTERNET <http://www.minicircuits.com>



P.O. Box 350166, Brooklyn, New York 11235-0003 (718) 934-4500 Fax (718) 332-4661
 Distribution Centers NORTH AMERICA 800-654-7949 • 417-335-5935 • Fax 417-335-5945 • EUROPE 44-1252-832600 • Fax 44-1252-837010

Mini-Circuits ISO 9001 & ISO 14001 Certified

S-parameters

Gali-4F(+)

$I_d=50\text{mA}$, $V_d=4.4\text{V}$

Freq. MHz	S11 (Input Return Loss)			S21 (Power Gain)			S12 (Isolation Out-in)			S22 (Output Return Loss)			K
	dB	Mag	Angle	dB	Mag	Angle	dB	Mag	Angle	dB	Mag	Angle	
100.00	-35.41	0.02	167.75	14.24	5.15	175.51	-18.08	0.12	1.37	-26.04	0.05	-24.44	1.10
200.00	-32.57	0.02	143.71	14.27	5.17	171.57	-17.84	0.13	-4.87	-27.09	0.04	-29.26	1.08
400.00	-28.78	0.04	125.45	14.17	5.11	163.14	-18.03	0.13	-5.07	-25.39	0.05	-58.22	1.10
600.00	-26.49	0.05	106.59	14.08	5.06	155.04	-17.79	0.13	-8.00	-23.75	0.07	-80.23	1.09
800.00	-25.19	0.06	92.02	14.00	5.01	147.08	-17.95	0.13	-10.41	-21.85	0.08	-95.10	1.10
1000.00	-24.20	0.06	79.80	13.88	4.94	139.09	-18.11	0.12	-12.86	-20.01	0.10	-107.07	1.12
1200.00	-23.21	0.07	69.33	13.75	4.87	131.32	-18.30	0.12	-15.36	-18.45	0.12	-118.60	1.13
1400.00	-22.12	0.08	61.53	13.63	4.80	123.79	-18.40	0.12	-18.24	-17.00	0.14	-127.60	1.14
1600.00	-21.61	0.08	53.91	13.49	4.73	116.27	-18.46	0.12	-19.45	-15.98	0.16	-136.08	1.15
1800.00	-21.47	0.08	44.20	13.37	4.66	108.74	-18.59	0.12	-22.98	-14.91	0.18	-141.74	1.17
2000.00	-21.15	0.09	29.42	13.23	4.59	101.58	-18.68	0.12	-24.25	-14.01	0.20	-147.56	1.18
2200.00	-20.62	0.09	18.24	13.09	4.51	94.61	-18.90	0.11	-27.67	-13.26	0.22	-152.54	1.20
2500.00	-20.38	0.10	1.97	12.93	4.43	84.09	-19.12	0.11	-31.04	-12.42	0.24	-159.77	1.22
2800.00	-20.15	0.10	-16.24	12.75	4.34	73.70	-19.24	0.11	-33.91	-11.77	0.26	-165.91	1.23
3000.00	-19.78	0.10	-30.06	12.69	4.31	66.90	-19.51	0.11	-36.48	-11.39	0.27	-170.92	1.25
3200.00	-19.39	0.11	-39.49	12.62	4.28	60.16	-19.63	0.10	-39.31	-11.05	0.28	-176.05	1.26
3400.00	-19.36	0.11	-47.43	12.56	4.25	53.46	-19.68	0.10	-41.51	-10.79	0.29	-177.95	1.26
3600.00	-19.54	0.11	-58.41	12.52	4.23	46.56	-19.91	0.10	-44.22	-10.55	0.30	-171.65	1.28
3800.00	-19.49	0.11	-69.73	12.51	4.22	39.64	-19.99	0.10	-46.74	-10.20	0.31	-164.73	1.28
4000.00	-19.09	0.11	-80.17	12.50	4.22	32.49	-20.14	0.10	-49.61	-9.83	0.32	-157.08	1.28
4200.00	-18.91	0.11	-87.19	12.55	4.24	25.66	-20.17	0.10	-52.52	-9.33	0.34	-149.58	1.26
4400.00	-19.01	0.11	-95.38	12.58	4.26	18.46	-20.42	0.10	-55.40	-8.83	0.36	-141.51	1.26
4600.00	-19.17	0.11	-107.31	12.59	4.26	11.11	-20.36	0.10	-59.03	-8.27	0.39	-133.38	1.22
4800.00	-19.22	0.11	-120.28	12.62	4.28	3.51	-20.48	0.09	-62.81	-7.75	0.41	-125.35	1.20
5000.00	-19.25	0.11	-130.73	12.64	4.29	-4.28	-20.35	0.10	-67.61	-7.16	0.44	-116.97	1.15
5200.00	-19.78	0.10	-140.30	12.73	4.33	-11.94	-20.42	0.10	-72.24	-6.66	0.46	-108.95	1.12
5400.00	-19.82	0.10	-153.02	12.89	4.41	-19.79	-20.31	0.10	-77.48	-6.14	0.49	-101.15	1.06
5600.00	-19.38	0.11	-167.10	13.08	4.51	-28.37	-20.29	0.10	-83.07	-5.59	0.53	-93.45	0.99
5800.00	-18.58	0.12	177.93	13.23	4.59	-37.64	-20.14	0.10	-88.18	-5.07	0.56	-84.96	0.92
6000.00	-18.03	0.13	160.55	13.37	4.66	-48.21	-20.03	0.10	-94.77	-4.44	0.60	-76.38	0.84
6200.00	-17.82	0.13	142.30	13.44	4.70	-59.45	-19.75	0.10	-100.96	-3.98	0.63	-66.29	0.77
6400.00	-16.51	0.15	121.63	13.43	4.69	-70.95	-19.39	0.11	-108.81	-3.58	0.66	-56.26	0.70
6600.00	-15.38	0.17	96.66	13.27	4.61	-83.84	-19.14	0.11	-118.18	-3.23	0.69	-44.47	0.64
6800.00	-14.48	0.19	76.07	12.86	4.40	-95.86	-18.83	0.11	-126.86	-3.00	0.71	-32.30	0.61
7000.00	-13.57	0.21	55.91	12.31	4.13	-107.60	-18.57	0.12	-136.09	-2.97	0.71	-20.12	0.62
7500.00	-10.27	0.31	11.94	10.58	3.38	-136.70	-18.23	0.12	-160.93	-2.93	0.71	-10.31	0.64
8000.00	-8.29	0.39	-16.46	8.11	2.54	-162.52	-18.35	0.12	178.08	-3.37	0.68	-35.81	0.80
8500.00	-7.17	0.44	-30.94	5.58	1.90	178.82	-18.44	0.12	165.43	-3.91	0.64	-51.25	1.06
9000.00	-7.00	0.45	-39.42	3.49	1.49	161.98	-18.28	0.12	157.65	-4.67	0.58	-61.79	1.41
9500.00	-6.59	0.47	-38.33	1.49	1.19	150.55	-16.61	0.15	154.20	-5.90	0.51	-61.37	1.57
10000.00	-7.03	0.45	-38.63	0.78	1.09	138.80	-14.25	0.19	152.13	-6.54	0.47	-63.80	1.40

勝特力材料 886-3-5753170
勝特力电子(上海) 86-21-54151736
勝特力电子(深圳) 86-755-83298787
[Http://www.100y.com.tw](http://www.100y.com.tw)



INTERNET <http://www.minicircuits.com>



P.O. Box 350166, Brooklyn, New York 11235-0003 (718) 934-4500 Fax (718) 332-4661

Distribution Centers NORTH AMERICA 800-654-7949 • 417-335-5935 • Fax 417-335-5945 • EUROPE 44-1252-832600 • Fax 44-1252-837010

Mini-Circuits ISO 9001 & ISO 14001 Certified

S-parameters

Gali-51F(+)

$I_d=50\text{mA}$, $V_d=4.4\text{V}$

Freq. MHz	S11 (Input Return Loss)			S21 (Power Gain)			S12 (Isolation Out-in)			S22 (Output Return Loss)			K
	dB	Mag	Angle	dB	Mag	Angle	dB	Mag	Angle	dB	Mag	Angle	
100.00	-23.13	0.07	5.83	17.95	7.90	174.92	-20.46	0.09	3.23	-18.44	0.12	-14.91	1.04
200.00	-23.59	0.07	1.29	17.97	7.92	170.54	-20.57	0.09	-4.00	-18.48	0.12	-17.92	1.04
400.00	-23.96	0.06	8.86	17.83	7.79	161.08	-20.75	0.09	-2.62	-18.67	0.12	-38.21	1.05
600.00	-23.28	0.07	14.19	17.67	7.65	152.02	-20.65	0.09	-5.03	-18.39	0.12	-56.73	1.05
800.00	-22.68	0.07	13.15	17.48	7.48	143.25	-20.62	0.09	-5.31	-17.85	0.13	-74.81	1.06
1000.00	-22.04	0.08	12.53	17.25	7.29	134.59	-20.79	0.09	-6.52	-17.15	0.14	-91.05	1.08
1200.00	-21.58	0.08	11.14	17.00	7.08	126.13	-20.75	0.09	-8.00	-16.23	0.15	-106.11	1.08
1400.00	-21.17	0.09	9.27	16.73	6.86	118.13	-20.88	0.09	-8.96	-15.28	0.17	-118.60	1.10
1600.00	-21.09	0.09	7.18	16.45	6.65	110.27	-20.89	0.09	-9.66	-14.62	0.19	-130.43	1.11
1800.00	-20.83	0.09	1.39	16.18	6.44	102.57	-20.96	0.09	-11.54	-13.79	0.20	-139.13	1.12
2000.00	-20.29	0.10	-6.62	15.88	6.22	95.26	-20.89	0.09	-12.40	-13.06	0.22	-147.39	1.13
2200.00	-19.86	0.10	-12.14	15.59	6.02	88.27	-21.04	0.09	-13.78	-12.41	0.24	-154.37	1.15
2500.00	-19.68	0.10	-23.99	15.20	5.75	77.98	-21.00	0.09	-15.71	-11.73	0.26	-163.41	1.17
2800.00	-19.57	0.11	-36.54	14.82	5.51	67.79	-20.93	0.09	-18.29	-11.15	0.28	-171.72	1.18
3000.00	-19.20	0.11	-46.66	14.59	5.36	61.28	-21.08	0.09	-19.38	-10.88	0.29	-177.15	1.20
3200.00	-19.15	0.11	-53.48	14.36	5.22	54.82	-21.12	0.09	-21.12	-10.56	0.30	177.05	1.21
3400.00	-19.37	0.11	-59.87	14.16	5.11	48.46	-20.97	0.09	-22.67	-10.35	0.30	170.71	1.21
3600.00	-19.66	0.10	-68.76	13.99	5.01	42.02	-21.05	0.09	-24.39	-10.09	0.31	164.39	1.22
3800.00	-19.82	0.10	-78.82	13.81	4.90	35.49	-21.04	0.09	-26.54	-9.74	0.33	157.54	1.22
4000.00	-19.65	0.10	-88.04	13.65	4.81	28.85	-21.07	0.09	-28.55	-9.41	0.34	150.63	1.23
4200.00	-19.67	0.10	-93.78	13.54	4.75	22.51	-20.99	0.09	-31.03	-8.93	0.36	143.95	1.21
4400.00	-20.04	0.10	-100.10	13.41	4.68	16.17	-21.06	0.09	-33.28	-8.42	0.38	136.92	1.21
4600.00	-20.54	0.09	-109.60	13.25	4.60	9.63	-21.07	0.09	-36.32	-7.95	0.40	130.13	1.20
4800.00	-20.80	0.09	-121.02	13.09	4.51	2.93	-21.13	0.09	-39.64	-7.51	0.42	123.56	1.20
5000.00	-21.09	0.09	-130.08	12.94	4.44	-3.89	-21.03	0.09	-43.28	-7.06	0.44	116.82	1.18
5200.00	-21.86	0.08	-134.90	12.85	4.39	-10.30	-21.16	0.09	-47.08	-6.67	0.46	110.70	1.18
5400.00	-22.00	0.08	-142.54	12.82	4.38	-16.79	-21.04	0.09	-51.70	-6.24	0.49	105.12	1.14
5600.00	-21.56	0.08	-149.66	12.83	4.38	-23.67	-21.15	0.09	-55.85	-5.89	0.51	99.95	1.12
5800.00	-20.85	0.09	-158.99	12.82	4.38	-31.05	-21.30	0.09	-59.99	-5.52	0.53	94.16	1.09
6000.00	-20.12	0.10	-170.34	12.81	4.37	-39.22	-21.37	0.09	-65.26	-5.05	0.56	88.80	1.05
6200.00	-20.06	0.10	-178.23	12.78	4.36	-47.77	-21.36	0.09	-69.95	-4.74	0.58	82.55	1.02
6400.00	-19.31	0.11	168.98	12.71	4.32	-56.25	-21.31	0.09	-75.70	-4.43	0.60	76.67	0.97
6600.00	-19.30	0.11	149.98	12.62	4.28	-65.74	-21.26	0.09	-82.31	-4.09	0.62	69.39	0.93
6800.00	-19.23	0.11	133.65	12.35	4.14	-74.88	-21.10	0.09	-89.18	-3.90	0.64	61.18	0.91
7000.00	-19.45	0.11	116.40	12.00	3.98	-84.04	-21.02	0.09	-96.86	-3.84	0.64	53.10	0.93
7500.00	-17.46	0.13	57.20	11.14	3.61	-108.11	-20.71	0.09	-119.98	-3.51	0.67	29.97	0.92
8000.00	-13.71	0.21	16.55	9.61	3.02	-133.12	-20.75	0.09	-144.24	-3.59	0.66	5.38	1.04
8500.00	-11.08	0.28	-6.16	7.55	2.39	-153.52	-20.65	0.09	-164.05	-3.98	0.63	-13.40	1.28
9000.00	-10.33	0.30	-16.96	5.67	1.92	-172.41	-20.69	0.09	-179.32	-4.67	0.58	-26.97	1.66
9500.00	-9.15	0.35	-14.08	3.44	1.49	174.11	-19.14	0.11	171.16	-5.74	0.52	-26.58	1.88
10000.00	-9.21	0.35	-9.10	2.48	1.33	161.14	-16.98	0.14	163.88	-6.08	0.50	-25.74	1.68

勝特力材料 886-3-5753170
 勝特力电子(上海) 86-21-54151736
 勝特力电子(深圳) 86-755-83298787
[Http://www.100y.com.tw](http://www.100y.com.tw)



INTERNET <http://www.minicircuits.com>



Distribution Centers NORTH AMERICA 800-654-7949 • 417-335-5935 • Fax 417-335-5945 • EUROPE 44-1252-832600 • Fax 44-1252-837010

Mini-Circuits ISO 9001 & ISO 14001 Certified

S-parameters

Gali-5F(+)

$I_d=50\text{mA}$, $V_d=4.3\text{V}$

Freq. MHz	S11 (Input Return Loss)			S21 (Power Gain)			S12 (Isolation Out-in)			S22 (Output Return Loss)			K
	dB	Mag	Angle	dB	Mag	Angle	dB	Mag	Angle	dB	Mag	Angle	
100.00	-24.49	0.06	158.23	20.20	10.23	173.98	-21.51	0.08	1.40	-35.09	0.02	-120.80	1.01
200.00	-24.32	0.06	143.18	20.14	10.16	168.82	-22.33	0.08	-4.00	-34.12	0.02	-142.70	1.03
400.00	-22.53	0.07	120.48	19.91	9.90	158.17	-22.43	0.08	-0.63	-30.03	0.03	-145.04	1.04
600.00	-20.74	0.09	101.45	19.63	9.58	148.05	-22.20	0.08	-1.26	-26.68	0.05	-149.38	1.04
800.00	-19.86	0.10	86.32	19.31	9.24	138.42	-22.07	0.08	-0.55	-24.60	0.06	-151.66	1.05
1000.00	-19.16	0.11	72.80	18.95	8.86	129.19	-22.20	0.08	-1.85	-22.62	0.07	-156.93	1.07
1200.00	-18.45	0.12	62.01	18.56	8.47	120.42	-22.17	0.08	-1.87	-21.10	0.09	-162.07	1.08
1400.00	-17.75	0.13	53.32	18.16	8.09	112.21	-22.22	0.08	-3.20	-19.63	0.10	-167.17	1.10
1600.00	-17.42	0.13	45.37	17.76	7.73	104.42	-22.11	0.08	-2.26	-18.74	0.12	-174.27	1.11
1800.00	-17.33	0.14	36.04	17.39	7.40	96.70	-22.04	0.08	-4.73	-17.96	0.13	-177.19	1.13
2000.00	-17.13	0.14	24.55	17.01	7.09	89.54	-21.91	0.08	-4.58	-17.26	0.14	-179.20	1.14
2200.00	-16.77	0.15	15.41	16.65	6.80	82.80	-22.04	0.08	-5.73	-16.78	0.14	-176.12	1.17
2500.00	-16.61	0.15	2.31	16.16	6.43	72.86	-21.86	0.08	-7.55	-16.40	0.15	-170.46	1.19
2800.00	-16.48	0.15	-11.57	15.73	6.12	63.13	-21.64	0.08	-9.55	-16.31	0.15	-166.07	1.20
3000.00	-16.33	0.15	-21.92	15.47	5.94	56.95	-21.69	0.08	-10.31	-16.24	0.15	-161.66	1.22
3200.00	-16.15	0.16	-29.72	15.24	5.78	50.90	-21.72	0.08	-13.13	-16.18	0.16	-157.48	1.24
3400.00	-16.08	0.16	-36.57	15.03	5.64	44.94	-21.58	0.08	-13.79	-16.17	0.16	-151.27	1.24
3600.00	-16.20	0.15	-44.40	14.86	5.53	38.82	-21.61	0.08	-16.39	-16.10	0.16	-144.81	1.26
3800.00	-16.14	0.16	-53.21	14.70	5.43	32.88	-21.71	0.08	-18.07	-15.78	0.16	-138.34	1.28
4000.00	-15.86	0.16	-62.36	14.56	5.35	26.79	-21.74	0.08	-20.36	-15.47	0.17	-130.69	1.29
4200.00	-15.57	0.17	-67.91	14.50	5.31	20.79	-21.60	0.08	-22.80	-14.87	0.18	-124.92	1.27
4400.00	-15.39	0.17	-73.80	14.44	5.27	14.78	-21.77	0.08	-25.00	-14.26	0.19	-117.94	1.28
4600.00	-15.36	0.17	-81.68	14.36	5.22	8.74	-21.75	0.08	-28.37	-13.65	0.21	-111.12	1.28
4800.00	-15.31	0.17	-90.47	14.32	5.20	2.43	-21.96	0.08	-30.55	-13.03	0.22	-105.00	1.29
5000.00	-15.07	0.18	-97.65	14.29	5.18	-3.99	-21.94	0.08	-34.93	-12.33	0.24	-98.18	1.27
5200.00	-14.87	0.18	-102.67	14.34	5.21	-10.08	-22.00	0.08	-37.92	-11.82	0.26	-92.05	1.26
5400.00	-14.25	0.19	-109.43	14.47	5.29	-16.39	-22.18	0.08	-42.29	-11.43	0.27	-86.80	1.25
5600.00	-13.37	0.21	-117.17	14.68	5.42	-23.29	-22.33	0.08	-46.97	-11.10	0.28	-82.19	1.22
5800.00	-12.37	0.24	-127.25	14.90	5.56	-30.87	-22.61	0.07	-50.44	-10.67	0.29	-77.65	1.19
6000.00	-11.45	0.27	-138.70	15.16	5.73	-39.28	-23.01	0.07	-54.88	-10.04	0.31	-74.06	1.16
6200.00	-10.65	0.29	-148.53	15.41	5.90	-48.43	-23.12	0.07	-58.79	-9.62	0.33	-68.13	1.11
6400.00	-9.72	0.33	-162.31	15.58	6.01	-58.05	-23.17	0.07	-63.29	-9.14	0.35	-63.69	1.04
6600.00	-9.35	0.34	-177.40	15.72	6.11	-69.61	-23.28	0.07	-69.05	-8.49	0.38	-56.23	0.99
6800.00	-8.93	0.36	-168.35	15.63	6.05	-80.45	-23.35	0.07	-74.97	-7.96	0.40	-47.51	0.96
7000.00	-8.64	0.37	-153.74	15.48	5.94	-91.52	-23.39	0.07	-81.98	-7.55	0.42	-38.22	0.93
7500.00	-7.98	0.40	-107.57	14.87	5.54	-122.38	-23.13	0.07	-106.18	-6.18	0.49	-11.73	0.83
8000.00	-7.35	0.43	-59.16	12.93	4.43	-154.21	-23.84	0.06	-134.09	-5.63	0.52	-15.15	0.98
8500.00	-6.36	0.48	-24.02	10.18	3.23	-179.09	-24.13	0.06	-153.45	-5.51	0.53	-32.27	1.27
9000.00	-5.72	0.52	-2.91	7.36	2.33	-159.81	-24.51	0.06	-168.45	-5.87	0.51	-43.65	1.80
9500.00	-5.03	0.56	-6.12	4.43	1.67	-148.47	-22.02	0.08	-172.64	-6.44	0.48	-40.75	1.74
10000.00	-4.97	0.56	-10.58	2.99	1.41	-137.52	-18.42	0.12	-179.30	-6.55	0.47	-42.50	1.36

勝特力材料 886-3-5753170
勝特力电子(上海) 86-21-54151736
勝特力电子(深圳) 86-755-83298787
[Http://www.100y.com.tw](http://www.100y.com.tw)



INTERNET <http://www.minicircuits.com>



P.O. Box 350166, Brooklyn, New York 11235-0003 (718) 934-4500 Fax (718) 332-4661

Distribution Centers NORTH AMERICA 800-654-7949 • 417-335-5935 • Fax 417-335-5945 • EUROPE 44-1252-832600 • Fax 44-1252-837010

Mini-Circuits ISO 9001 & ISO 14001 Certified

S-parameters

Gali-55(+)

$I_d=50\text{mA}$, $V_d=4.3\text{V}$

Freq. MHz	S11 (Input Return Loss)			S21 (Power Gain)			S12 (Isolation Out-in)			S22 (Output Return Loss)			K
	dB	Mag	Angle	dB	Mag	Angle	dB	Mag	Angle	dB	Mag	Angle	
100.00	-23.11	0.07	170.27	21.67	12.12	174.25	-22.96	0.07	-3.30	-26.31	0.05	164.97	1.01
200.00	-22.01	0.08	158.52	21.68	12.13	168.52	-24.16	0.06	-0.20	-27.15	0.04	179.80	1.04
400.00	-20.79	0.09	126.20	21.42	11.78	158.16	-23.76	0.06	-1.25	-26.68	0.05	-166.26	1.03
600.00	-20.33	0.10	108.48	21.11	11.36	147.98	-23.72	0.07	-0.95	-24.69	0.06	-164.52	1.04
800.00	-19.04	0.11	94.87	20.74	10.89	138.40	-23.68	0.07	-0.90	-22.89	0.07	-165.95	1.05
1000.00	-18.35	0.12	82.31	20.33	10.39	129.31	-23.71	0.07	-1.01	-21.05	0.09	-167.77	1.07
1200.00	-17.77	0.13	71.96	19.90	9.89	120.80	-23.53	0.07	-1.79	-19.68	0.10	-171.93	1.08
1400.00	-17.41	0.13	63.16	19.46	9.40	113.00	-23.44	0.07	-0.88	-18.62	0.12	-174.85	1.09
1600.00	-17.08	0.14	54.81	19.02	8.93	105.36	-23.58	0.07	-2.55	-17.71	0.13	-178.98	1.12
1800.00	-16.87	0.14	45.50	18.60	8.51	98.25	-23.32	0.07	-3.06	-16.93	0.14	177.16	1.13
2000.00	-16.78	0.14	36.29	18.19	8.12	91.31	-23.29	0.07	-3.85	-16.48	0.15	173.79	1.15
2200.00	-16.50	0.15	28.78	17.79	7.75	84.90	-23.31	0.07	-4.80	-16.16	0.16	170.36	1.18
2500.00	-16.32	0.15	17.61	17.27	7.30	75.53	-23.18	0.07	-6.66	-16.06	0.16	165.52	1.20
2800.00	-16.29	0.15	6.23	16.81	6.93	66.61	-23.19	0.07	-8.72	-16.01	0.16	160.05	1.24
3000.00	-16.18	0.16	-2.09	16.53	6.71	60.85	-23.19	0.07	-10.00	-16.31	0.15	155.27	1.26
3200.00	-16.08	0.16	-8.83	16.28	6.52	55.19	-23.07	0.07	-11.92	-16.43	0.15	149.70	1.27
3400.00	-15.82	0.16	-13.59	16.04	6.34	49.66	-23.18	0.07	-13.91	-16.47	0.15	143.70	1.30
3600.00	-15.92	0.16	-18.28	15.85	6.20	44.03	-23.39	0.07	-17.17	-16.57	0.15	136.68	1.35
3800.00	-16.04	0.16	-24.75	15.68	6.08	38.57	-23.27	0.07	-18.97	-16.47	0.15	129.87	1.35
4000.00	-15.85	0.16	-30.76	15.54	5.98	33.08	-23.41	0.07	-21.85	-16.19	0.16	122.39	1.37
4200.00	-15.68	0.16	-35.14	15.43	5.91	27.65	-23.50	0.07	-24.76	-15.65	0.17	115.35	1.39
4400.00	-15.53	0.17	-39.71	15.36	5.86	22.37	-23.75	0.07	-27.86	-15.09	0.18	108.61	1.42
4600.00	-15.58	0.17	-43.16	15.31	5.83	16.62	-23.85	0.06	-30.59	-14.37	0.19	102.40	1.43
4800.00	-15.76	0.16	-47.63	15.26	5.79	10.99	-24.12	0.06	-35.86	-13.62	0.21	96.89	1.46
5000.00	-15.63	0.17	-52.04	15.22	5.77	5.27	-24.31	0.06	-39.76	-12.90	0.23	90.70	1.48
5200.00	-15.18	0.17	-54.98	15.24	5.78	-0.17	-24.62	0.06	-43.83	-12.37	0.24	84.93	1.50
5400.00	-14.60	0.19	-59.29	15.37	5.87	-5.72	-24.82	0.06	-49.50	-11.99	0.25	79.84	1.50
5600.00	-13.92	0.20	-65.50	15.56	6.00	-11.63	-25.13	0.06	-53.29	-11.59	0.26	74.63	1.50
5800.00	-13.25	0.22	-73.66	15.81	6.17	-18.04	-25.61	0.05	-60.79	-11.40	0.27	69.37	1.51
6000.00	-12.58	0.24	-84.83	16.15	6.42	-25.24	-26.30	0.05	-66.89	-11.04	0.28	65.64	1.54

勝特力材料 886-3-5753170
 勝特力电子(上海) 86-21-54151736
 勝特力电子(深圳) 86-755-83298787
[Http://www.100y.com.tw](http://www.100y.com.tw)



INTERNET <http://www.minicircuits.com>



P.O. Box 350166, Brooklyn, New York 11235-0003 (718) 934-4500 Fax (718) 332-4661
 Distribution Centers NORTH AMERICA 800-654-7949 • 417-335-5935 • Fax 417-335-5945 • EUROPE 44-1252-832600 • Fax 44-1252-837010

Mini-Circuits ISO 9001 & ISO 14001 Certified

S-parameters

Gali-52(+)

$I_d=50\text{mA}$, $V_d=4.4\text{V}$

Freq. MHz	S11 (Input Return Loss)			S21 (Power Gain)			S12 (Isolation Out-in)			S22 (Output Return Loss)			K
	dB	Mag	Angle	dB	Mag	Angle	dB	Mag	Angle	dB	Mag	Angle	
100.00	-25.79	0.05	170.16	23.53	15.01	173.44	-25.60	0.05	-0.48	-30.08	0.03	-169.13	1.03
200.00	-22.83	0.07	151.76	23.38	14.76	168.02	-24.90	0.06	0.80	-28.80	0.04	-163.00	1.01
400.00	-21.77	0.08	127.57	23.10	14.29	156.77	-25.20	0.06	1.22	-25.82	0.05	-159.69	1.03
500.00	-20.90	0.09	116.51	22.92	14.00	151.47	-25.27	0.05	2.60	-24.69	0.06	-158.23	1.03
600.00	-20.44	0.10	106.81	22.71	13.66	146.20	-24.93	0.06	3.72	-23.66	0.07	-160.20	1.03
700.00	-19.90	0.10	99.39	22.51	13.35	141.23	-24.93	0.06	3.03	-22.67	0.07	-160.33	1.04
800.00	-19.40	0.11	92.83	22.27	12.99	136.34	-24.75	0.06	5.05	-21.70	0.08	-162.9	1.04
1000.00	-18.52	0.12	80.82	21.76	12.25	127.05	-24.69	0.06	4.35	-20.15	0.10	-168.5	1.05
1200.00	-18.15	0.12	71.89	21.23	11.52	118.65	-24.67	0.06	4.55	-18.94	0.11	-174.03	1.07
1400.00	-17.90	0.13	62.84	20.72	10.86	110.59	-24.31	0.06	6.26	-17.95	0.13	-178.13	1.07
1600.00	-17.56	0.13	54.86	20.20	10.23	103.15	-24.13	0.06	6.03	-17.07	0.14	177.73	1.09
1800.00	-17.35	0.14	47.01	19.69	9.65	96.09	-24.07	0.06	6.09	-16.35	0.15	173.59	1.11
2000.00	-17.24	0.14	41.23	19.19	9.11	89.54	-23.84	0.06	5.24	-15.77	0.16	170.06	1.12
2200.00	-17.25	0.14	34.26	18.74	8.65	83.16	-23.63	0.07	5.96	-15.49	0.17	166.1	1.13
2500.00	-17.31	0.14	22.62	18.11	8.04	74.36	-23.51	0.07	4.03	-15.20	0.17	161.21	1.16
2600.00	-17.21	0.14	18.66	17.90	7.85	71.51	-23.49	0.07	3.65	-15.07	0.18	159.13	1.17
2700.00	-17.29	0.14	15.22	17.69	7.66	68.72	-23.18	0.07	3.42	-15.10	0.18	157.55	1.16
2800.00	-17.31	0.14	12.35	17.54	7.53	66.06	-23.24	0.07	3.07	-14.94	0.18	155.95	1.18
3000.00	-17.24	0.14	6.19	17.21	7.25	60.56	-23.08	0.07	0.38	-14.96	0.18	151.48	1.19
3200.00	-17.39	0.14	0.01	16.89	6.99	55.3	-22.76	0.07	-0.52	-14.96	0.18	146.6	1.19
3400.00	-17.42	0.13	-7.15	16.60	6.76	50.12	-22.92	0.07	-2.61	-14.93	0.18	141.84	1.22
3600.00	-17.18	0.14	-13.17	16.36	6.58	45.24	-22.85	0.07	-5.3	-14.80	0.18	136.68	1.24
3800.00	-17.13	0.14	-18.38	16.11	6.39	40.07	-22.88	0.07	-7.71	-14.69	0.18	130.52	1.26
4000.00	-17.08	0.14	-22.34	15.91	6.24	35.29	-22.89	0.07	-9.57	-14.53	0.19	123.68	1.27
4200.00	-16.81	0.14	-26.57	15.72	6.11	30.61	-23.10	0.07	-12.81	-14.37	0.19	116.34	1.31
4400.00	-16.38	0.15	-32.91	15.59	6.02	25.84	-23.24	0.07	-14.33	-14.27	0.19	110.82	1.33
4600.00	-15.91	0.16	-37.63	15.51	5.96	21.18	-23.40	0.07	-17.85	-13.83	0.20	104.94	1.35
4800.00	-15.37	0.17	-42.25	15.43	5.91	16.5	-23.63	0.07	-19.9	-13.42	0.21	99.16	1.37
5000.00	-14.75	0.18	-46.87	15.38	5.87	11.81	-24.21	0.06	-24.74	-13.15	0.22	92.66	1.43
5200.00	-14.00	0.20	-52.05	15.40	5.89	7.58	-24.50	0.06	-27.9	-12.93	0.23	86.81	1.45
5400.00	-12.82	0.23	-59.33	15.52	5.97	3.53	-25.31	0.05	-31.63	-13.00	0.22	81.83	1.52
5600.00	-11.49	0.27	-68.45	15.73	6.12	-0.69	-26.14	0.05	-34.32	-13.15	0.22	77.08	1.57
5800.00	-10.10	0.31	-77.91	16.06	6.35	-5.19	-27.52	0.04	-36.48	-13.68	0.21	73.34	1.70

勝特力材料 886-3-5753170
 勝特力电子(上海) 86-21-54151736
 勝特力电子(深圳) 86-755-83298787
[Http://www.100y.com.tw](http://www.100y.com.tw)



INTERNET <http://www.minicircuits.com>



P.O. Box 350166, Brooklyn, New York 11235-0003 (718) 934-4500 Fax (718) 332-4661

Distribution Centers NORTH AMERICA 800-654-7949 • 417-335-5935 • Fax 417-335-5945 • EUROPE 44-1252-832600 • Fax 44-1252-837010

Mini-Circuits ISO 9001 & ISO 14001 Certified

S-parameters

Gali-6(+)

$I_d=70\text{mA}$, $V_d=5.2\text{V}$

Freq. MHz	S11 (Input Return Loss)			S21 (Power Gain)			S12 (Isolation Out-in)			S22 (Output Return Loss)			K
	dB	Mag	Angle	dB	Mag	Angle	dB	Mag	Angle	dB	Mag	Angle	
100.00	-13.11	0.22	-1.78	12.27	4.11	176.37	-17.52	0.13	0.09	-10.83	0.29	-4.48	1.14
200.00	-13.17	0.22	-4.07	12.27	4.11	173.30	-17.36	0.14	-2.04	-10.64	0.29	-8.24	1.12
400.00	-13.40	0.21	-7.61	12.20	4.07	166.51	-17.24	0.14	-2.87	-10.79	0.29	-16.30	1.12
600.00	-13.46	0.21	-10.92	12.20	4.07	159.80	-17.09	0.14	-4.96	-10.91	0.28	-25.30	1.11
800.00	-13.65	0.21	-14.78	12.16	4.06	153.49	-17.19	0.14	-7.13	-10.99	0.28	-34.35	1.12
1000.00	-13.86	0.20	-18.70	12.11	4.03	146.91	-17.26	0.14	-8.10	-11.07	0.28	-43.57	1.13
1200.00	-14.10	0.20	-23.11	12.10	4.03	140.29	-17.29	0.14	-10.06	-11.19	0.28	-52.63	1.13
1400.00	-14.31	0.19	-27.60	12.00	3.98	134.03	-17.38	0.14	-12.02	-11.13	0.28	-61.94	1.14
1600.00	-14.37	0.19	-31.90	11.96	3.96	127.59	-17.36	0.14	-14.06	-11.05	0.28	-71.77	1.14
1800.00	-14.60	0.19	-35.68	11.91	3.94	121.35	-17.35	0.14	-15.67	-10.93	0.28	-81.40	1.14
2000.00	-14.68	0.18	-39.78	11.85	3.91	115.14	-17.44	0.13	-17.71	-10.75	0.29	-90.13	1.14
2200.00	-14.79	0.18	-45.82	11.77	3.88	109.00	-17.52	0.13	-19.20	-10.53	0.30	-98.23	1.14
2500.00	-14.69	0.18	-54.24	11.68	3.84	99.71	-17.62	0.13	-22.21	-10.06	0.31	-109.17	1.14
2800.00	-14.59	0.19	-61.79	11.59	3.80	90.81	-17.73	0.13	-25.60	-9.71	0.33	-119.42	1.15
3000.00	-14.51	0.19	-68.62	11.57	3.79	84.95	-17.75	0.13	-26.94	-9.53	0.33	-125.84	1.14
3200.00	-14.46	0.19	-75.84	11.52	3.77	79.05	-17.82	0.13	-28.48	-9.33	0.34	-131.94	1.13
3400.00	-14.31	0.19	-81.85	11.48	3.75	73.12	-17.91	0.13	-30.68	-9.13	0.35	-138.37	1.13
3600.00	-14.17	0.20	-87.49	11.50	3.76	67.36	-17.94	0.13	-33.01	-8.98	0.36	-145.13	1.12
3800.00	-14.19	0.20	-94.16	11.51	3.76	61.50	-17.96	0.13	-35.04	-8.83	0.36	-152.00	1.11
4000.00	-14.32	0.19	-101.64	11.54	3.78	55.40	-17.97	0.13	-37.60	-8.68	0.37	-158.99	1.10
4200.00	-14.36	0.19	-108.34	11.54	3.78	49.59	-17.98	0.13	-40.17	-8.54	0.37	-166.23	1.09
4400.00	-14.21	0.19	-115.66	11.62	3.81	43.53	-18.01	0.13	-42.83	-8.35	0.38	-173.83	1.07
4600.00	-14.21	0.19	-123.75	11.69	3.84	37.32	-18.02	0.13	-45.46	-8.06	0.40	-178.02	1.05
4800.00	-14.33	0.19	-132.43	11.74	3.86	30.99	-18.08	0.12	-49.02	-7.62	0.42	-169.32	1.02
5000.00	-14.29	0.19	-141.59	11.79	3.89	24.52	-17.95	0.13	-52.14	-7.24	0.43	-161.22	0.98
5200.00	-14.28	0.19	-148.95	11.84	3.91	18.11	-18.04	0.13	-56.05	-6.81	0.46	-153.59	0.96
5400.00	-14.02	0.20	-155.52	11.97	3.97	12.16	-17.94	0.13	-59.48	-6.29	0.48	-147.45	0.91
5600.00	-13.61	0.21	-163.06	12.23	4.09	5.62	-17.97	0.13	-63.39	-5.62	0.52	-141.04	0.84
5800.00	-13.41	0.21	-171.66	12.48	4.21	-1.89	-17.77	0.13	-67.75	-4.96	0.57	-133.75	0.77
6000.00	-13.09	0.22	178.67	12.58	4.26	-9.76	-17.72	0.13	-73.10	-4.57	0.59	-125.51	0.72
6200.00	-12.53	0.24	173.56	12.90	4.42	-17.01	-17.74	0.13	-78.12	-3.96	0.63	-119.11	0.65
6400.00	-11.77	0.26	162.98	13.21	4.58	-26.65	-17.49	0.13	-83.48	-3.15	0.70	-109.52	0.53
6600.00	-11.19	0.28	149.14	13.36	4.66	-36.92	-17.11	0.14	-88.91	-2.58	0.74	-99.08	0.44
6800.00	-10.85	0.29	134.68	13.42	4.69	-47.34	-16.81	0.14	-96.76	-2.08	0.79	-88.48	0.37
7000.00	-10.43	0.30	120.13	13.41	4.68	-58.60	-16.41	0.15	-104.52	-1.69	0.82	-77.97	0.31
7500.00	-9.24	0.35	77.01	12.97	4.45	-88.04	-15.78	0.16	-129.58	-1.11	0.88	-47.05	0.21

勝特力材料 886-3-5753170
 勝特力电子(上海) 86-21-54151736
 勝特力电子(深圳) 86-755-83298787
[Http://www.100y.com.tw](http://www.100y.com.tw)



INTERNET <http://www.minicircuits.com>



P.O. Box 350166, Brooklyn, New York 11235-0003 (718) 934-4500 Fax (718) 332-4661
 Distribution Centers NORTH AMERICA 800-654-7949 • 417-335-5935 • Fax 417-335-5945 • EUROPE 44-1252-832600 • Fax 44-1252-837010

Mini-Circuits ISO 9001 & ISO 14001 Certified

S-parameters

Gali-4 (+)

$I_d=65\text{mA}$, $V_d=4.6\text{V}$

Freq. MHz	S11 (Input Return Loss)			S21 (Power Gain)			S12 (Isolation Out-in)			S22 (Output Return Loss)			K
	dB	Mag	Angle	dB	Mag	Angle	dB	Mag	Angle	dB	Mag	Angle	
100.00	-29.62	0.03	166.71	14.42	5.26	175.82	-17.88	0.13	-0.70	-29.62	0.03	-25.76	1.08
200.00	-28.55	0.04	156.69	14.41	5.25	172.21	-18.10	0.12	-2.70	-30.03	0.03	-29.73	1.09
400.00	-26.43	0.05	140.55	14.33	5.21	164.43	-18.01	0.13	-4.26	-29.17	0.03	-61.45	1.09
600.00	-25.29	0.05	122.00	14.28	5.18	156.97	-17.97	0.13	-6.55	-26.15	0.05	-87.46	1.09
800.00	-24.18	0.06	111.79	14.19	5.12	149.81	-18.16	0.12	-8.76	-23.77	0.06	-104.28	1.10
1000.00	-23.24	0.07	101.25	14.08	5.06	142.36	-18.25	0.12	-10.37	-21.69	0.08	-115.89	1.11
1200.00	-22.62	0.07	92.56	14.01	5.02	135.16	-18.37	0.12	-13.21	-20.17	0.10	-125.89	1.12
1400.00	-21.99	0.08	83.52	13.87	4.94	128.09	-18.50	0.12	-14.43	-18.64	0.12	-133.77	1.14
1600.00	-21.61	0.08	74.94	13.75	4.87	121.05	-18.55	0.12	-16.86	-17.18	0.14	-141.27	1.15
1800.00	-21.20	0.09	66.14	13.64	4.81	114.32	-18.63	0.12	-18.49	-16.07	0.16	-147.20	1.15
2000.00	-21.10	0.09	56.92	13.50	4.73	107.53	-18.82	0.11	-20.35	-15.11	0.18	-152.66	1.17
2200.00	-21.23	0.09	48.04	13.38	4.67	100.91	-18.94	0.11	-22.13	-14.34	0.19	-157.45	1.19
2500.00	-21.44	0.08	32.53	13.21	4.58	90.96	-19.21	0.11	-25.36	-13.34	0.22	-163.58	1.21
2800.00	-21.62	0.08	15.80	13.03	4.48	81.34	-19.41	0.11	-28.65	-12.58	0.24	-169.59	1.24
3000.00	-21.93	0.08	4.86	12.96	4.45	75.05	-19.59	0.10	-30.12	-12.14	0.25	-173.99	1.25
3200.00	-22.22	0.08	-7.21	12.87	4.40	68.68	-19.71	0.10	-31.74	-11.75	0.26	-178.63	1.26
3400.00	-22.39	0.08	-18.28	12.79	4.36	62.33	-19.90	0.10	-33.85	-11.40	0.27	-176.46	1.28
3600.00	-22.41	0.08	-29.76	12.73	4.33	55.99	-20.03	0.10	-35.77	-11.05	0.28	-170.73	1.29
3800.00	-22.37	0.08	-41.38	12.73	4.33	49.83	-20.27	0.10	-37.47	-10.70	0.29	-166.13	1.30
4000.00	-22.96	0.07	-51.06	12.67	4.30	43.23	-20.40	0.10	-40.12	-10.25	0.31	-159.70	1.31
4200.00	-23.16	0.07	-59.66	12.64	4.29	36.89	-20.52	0.09	-42.38	-9.84	0.32	-153.21	1.31
4400.00	-23.41	0.07	-70.51	12.64	4.29	30.52	-20.66	0.09	-44.30	-9.36	0.34	-147.02	1.31
4600.00	-24.13	0.06	-84.05	12.65	4.29	23.57	-20.90	0.09	-46.92	-8.83	0.36	-140.41	1.31
4800.00	-24.70	0.06	-97.50	12.64	4.29	16.96	-21.03	0.09	-49.62	-8.22	0.39	-134.15	1.29
5000.00	-25.01	0.06	-111.36	12.62	4.28	10.17	-21.13	0.09	-53.08	-7.64	0.42	-127.83	1.28
5200.00	-25.46	0.05	-124.20	12.65	4.29	3.17	-21.28	0.09	-56.28	-7.05	0.44	-121.82	1.25
5400.00	-24.85	0.06	-139.73	12.73	4.33	-3.57	-21.34	0.09	-59.46	-6.48	0.47	-116.70	1.21
5600.00	-23.95	0.06	-153.41	12.87	4.40	-10.96	-21.59	0.08	-63.23	-5.86	0.51	-111.17	1.16
5800.00	-22.98	0.07	-166.36	13.02	4.48	-18.93	-21.46	0.08	-66.99	-5.26	0.55	-105.35	1.08
6000.00	-22.19	0.08	174.18	13.07	4.50	-27.12	-21.49	0.08	-71.79	-4.77	0.58	-99.04	1.02
6200.00	-21.64	0.08	164.52	13.31	4.63	-35.65	-21.55	0.08	-78.11	-4.10	0.62	-93.41	0.93
6400.00	-19.70	0.10	149.32	13.45	4.70	-46.50	-21.51	0.08	-83.07	-3.41	0.68	-85.01	0.81
6600.00	-18.08	0.12	127.82	13.36	4.66	-57.35	-21.34	0.09	-89.24	-2.98	0.71	-75.69	0.72
6800.00	-17.13	0.14	108.08	13.17	4.56	-68.14	-21.16	0.09	-98.52	-2.64	0.74	-66.54	0.66
7000.00	-15.88	0.16	89.35	12.88	4.41	-79.20	-20.78	0.09	-106.57	-2.40	0.76	-57.29	0.61
7500.00	-12.45	0.24	44.61	11.88	3.93	-107.41	-20.35	0.10	-132.88	-2.20	0.78	31.18	0.55

勝特力材料 886-3-5753170
 勝特力电子(上海) 86-21-54151736
 勝特力电子(深圳) 86-755-83298787
[Http://www.100y.com.tw](http://www.100y.com.tw)

S-parameters

Gali-51(+)

$I_d=65\text{mA}$, $V_d=4.5\text{V}$

Freq. MHz	S11 (Input Return Loss)			S21 (Power Gain)			S12 (Isolation Out-in)			S22 (Output Return Loss)			K
	dB	Mag	Angle	dB	Mag	Angle	dB	Mag	Angle	dB	Mag	Angle	
100.00	-24.65	0.06	-0.53	18.19	8.12	175.21	-20.96	0.09	0.08	-19.58	0.11	-10.86	1.05
200.00	-24.92	0.06	0.24	18.16	8.09	171.17	-20.93	0.09	-1.13	-19.13	0.11	-17.82	1.05
400.00	-25.35	0.05	0.46	18.06	8.00	162.73	-20.93	0.09	-1.23	-19.21	0.11	-34.15	1.05
600.00	-25.19	0.06	4.64	17.93	7.88	154.38	-20.69	0.09	-2.41	-19.06	0.11	-52.95	1.05
800.00	-25.17	0.06	2.92	17.76	7.73	146.49	-20.84	0.09	-2.73	-18.62	0.12	-70.55	1.06
1000.00	-25.27	0.05	3.08	17.55	7.54	138.52	-20.85	0.09	-3.65	-17.99	0.13	-86.59	1.06
1200.00	-25.51	0.05	-0.07	17.37	7.39	130.84	-20.87	0.09	-4.34	-17.31	0.14	-100.54	1.07
1400.00	-25.39	0.05	-2.63	17.10	7.16	123.43	-20.87	0.09	-4.25	-16.40	0.15	-113.01	1.08
1600.00	-25.22	0.05	-7.83	16.84	6.95	116.21	-20.86	0.09	-5.69	-15.42	0.17	-124.09	1.09
1800.00	-25.09	0.06	-11.02	16.59	6.75	109.29	-20.89	0.09	-6.01	-14.62	0.19	-133.70	1.10
2000.00	-24.98	0.06	-17.23	16.31	6.54	102.51	-20.93	0.09	-7.05	-13.92	0.20	-141.77	1.11
2200.00	-24.96	0.06	-27.49	16.06	6.35	95.98	-20.96	0.09	-7.45	-13.36	0.21	-148.59	1.12
2500.00	-24.16	0.06	-43.03	15.67	6.07	86.39	-20.93	0.09	-8.58	-12.55	0.24	-156.67	1.13
2800.00	-23.22	0.07	-54.13	15.31	5.83	77.27	-20.94	0.09	-10.39	-11.91	0.25	-164.71	1.15
3000.00	-22.96	0.07	-66.09	15.12	5.70	71.33	-20.91	0.09	-11.46	-11.66	0.26	-170.40	1.15
3200.00	-22.43	0.08	-77.33	14.91	5.57	65.38	-21.02	0.09	-11.72	-11.42	0.27	-175.52	1.17
3400.00	-21.69	0.08	-86.33	14.70	5.43	59.56	-21.01	0.09	-13.38	-11.16	0.28	-179.06	1.17
3600.00	-20.97	0.09	-93.36	14.55	5.34	53.77	-20.97	0.09	-14.30	-10.94	0.28	-173.32	1.17
3800.00	-20.68	0.09	-101.59	14.39	5.24	47.99	-21.03	0.09	-15.46	-10.68	0.29	-166.88	1.18
4000.00	-20.51	0.09	-109.88	14.27	5.17	42.46	-20.97	0.09	-17.39	-10.57	0.30	-161.93	1.18
4200.00	-20.13	0.10	-119.91	14.15	5.10	36.50	-20.95	0.09	-19.13	-10.08	0.31	-155.62	1.18
4400.00	-19.70	0.10	-128.93	14.04	5.04	30.71	-20.93	0.09	-20.79	-9.72	0.33	-148.88	1.17
4600.00	-19.30	0.11	-137.95	13.95	4.98	24.84	-20.98	0.09	-23.13	-9.27	0.34	-141.95	1.16
4800.00	-19.06	0.11	-148.38	13.86	4.93	18.95	-21.05	0.09	-25.32	-8.72	0.37	-135.25	1.16
5000.00	-18.69	0.12	-157.78	13.75	4.87	13.03	-21.10	0.09	-28.25	-8.23	0.39	-128.98	1.15
5200.00	-18.42	0.12	-165.37	13.73	4.86	7.11	-21.14	0.09	-31.00	-7.78	0.41	-123.49	1.13
5400.00	-17.89	0.13	-169.80	13.71	4.85	1.37	-21.09	0.09	-33.83	-7.27	0.43	-118.80	1.10
5600.00	-17.32	0.14	-174.20	13.81	4.90	-4.84	-21.22	0.09	-36.20	-6.71	0.46	-114.54	1.06
5800.00	-16.65	0.15	179.60	13.89	4.95	-11.72	-21.12	0.09	-40.89	-6.23	0.49	-109.21	1.01
6000.00	-16.14	0.16	169.47	13.90	4.95	-18.49	-21.22	0.09	-45.13	-5.92	0.51	-103.62	0.99
6200.00	-15.47	0.17	167.56	14.13	5.09	-25.69	-21.44	0.08	-49.40	-5.44	0.53	-99.68	0.93
6400.00	-14.44	0.19	161.45	14.25	5.16	-35.08	-21.39	0.09	-54.67	-4.68	0.58	-92.34	0.84
6600.00	-13.63	0.21	149.25	14.19	5.12	-44.17	-21.32	0.09	-58.68	-4.23	0.61	-84.00	0.78
6800.00	-13.33	0.22	137.17	14.07	5.05	-53.33	-21.44	0.08	-66.42	-3.87	0.64	-76.09	0.75
7000.00	-12.85	0.23	125.16	13.90	4.95	-62.81	-21.31	0.09	-74.28	-3.52	0.67	-68.29	0.70
7500.00	-11.54	0.26	90.27	13.38	4.67	-87.82	-21.49	0.08	-98.41	-2.89	0.72	-45.14	0.62
8000.00	-10.17	0.31	48.07	11.97	3.97	-115.43	-22.28	0.08	-126.82	-2.85	0.72	-18.01	0.73

勝特力材料 886-3-5753170
 勝特力电子(上海) 86-21-54151736
 勝特力电子(深圳) 86-755-83298787
[Http://www.100y.com.tw](http://www.100y.com.tw)



INTERNET <http://www.minicircuits.com>



P.O. Box 350166, Brooklyn, New York 11235-0003 (718) 934-4500 Fax (718) 332-4661
 Distribution Centers NORTH AMERICA 800-654-7949 • 417-335-5935 • Fax 417-335-5945 • EUROPE 44-1252-832600 • Fax 44-1252-837010

Mini-Circuits ISO 9001 & ISO 14001 Certified

S-parameters

Gali-5 (+)

$I_d=65\text{mA}$, $V_d=4.4\text{V}$

Freq. MHz	S11 (Input Return Loss)			S21 (Power Gain)			S12 (Isolation Out-in)			S22 (Output Return Loss)			K
	dB	Mag	Angle	dB	Mag	Angle	dB	Mag	Angle	dB	Mag	Angle	
100.00	-21.32	0.09	171.87	20.64	10.76	174.23	-23.64	0.07	0.13	-25.06	0.06	-179.09	1.06
200.00	-20.58	0.09	159.94	20.58	10.69	169.55	-22.84	0.07	-0.17	-25.33	0.05	-175.23	1.03
400.00	-19.69	0.10	141.45	20.37	10.44	159.64	-22.77	0.07	-0.61	-24.21	0.06	-171.29	1.04
600.00	-19.16	0.11	124.37	20.13	10.15	150.05	-22.45	0.08	-0.86	-22.47	0.08	-168.97	1.03
800.00	-18.58	0.12	109.97	19.83	9.81	141.15	-22.82	0.07	-1.04	-21.03	0.09	-170.08	1.05
1000.00	-18.13	0.12	98.31	19.46	9.40	132.37	-22.72	0.07	-1.39	-19.68	0.10	-172.77	1.06
1200.00	-17.94	0.13	87.95	19.11	9.03	124.19	-22.69	0.07	-1.83	-18.68	0.12	-176.59	1.08
1400.00	-17.77	0.13	78.08	18.71	8.62	116.45	-22.58	0.07	-2.08	-17.76	0.13	-179.62	1.09
1600.00	-17.77	0.13	68.66	18.31	8.23	108.86	-22.46	0.08	-2.65	-16.80	0.14	177.63	1.10
1800.00	-17.52	0.13	60.19	17.92	7.87	101.96	-22.39	0.08	-2.97	-16.05	0.16	174.21	1.12
2000.00	-17.54	0.13	51.37	17.54	7.53	95.20	-22.41	0.08	-3.62	-15.45	0.17	170.88	1.14
2200.00	-17.82	0.13	43.28	17.17	7.22	88.76	-22.29	0.08	-4.38	-15.09	0.18	167.15	1.15
2500.00	-18.09	0.12	28.86	16.67	6.82	79.38	-22.21	0.08	-5.61	-14.73	0.18	163.77	1.18
2800.00	-18.25	0.12	16.46	16.18	6.44	70.59	-22.11	0.08	-6.82	-14.35	0.19	159.05	1.20
3000.00	-18.55	0.12	8.06	15.94	6.27	64.86	-22.11	0.08	-8.32	-14.29	0.19	155.26	1.22
3200.00	-18.85	0.11	-2.12	15.67	6.07	59.25	-21.97	0.08	-9.95	-14.16	0.20	151.04	1.23
3400.00	-18.80	0.11	-11.61	15.42	5.90	53.58	-22.01	0.08	-11.41	-14.01	0.20	147.27	1.25
3600.00	-18.60	0.12	-20.24	15.23	5.77	48.26	-21.93	0.08	-13.07	-13.78	0.20	142.63	1.25
3800.00	-18.72	0.12	-28.26	15.07	5.67	42.88	-21.96	0.08	-14.87	-13.56	0.21	137.14	1.26
4000.00	-19.01	0.11	-35.39	14.89	5.55	37.24	-21.98	0.08	-16.84	-13.34	0.22	131.48	1.28
4200.00	-19.10	0.11	-43.18	14.73	5.45	32.03	-21.97	0.08	-18.91	-13.24	0.22	127.02	1.29
4400.00	-18.83	0.11	-50.14	14.64	5.40	26.77	-22.04	0.08	-21.20	-12.64	0.23	123.17	1.30
4600.00	-18.99	0.11	-58.15	14.55	5.34	21.21	-22.15	0.08	-23.64	-12.06	0.25	116.93	1.31
4800.00	-19.12	0.11	-66.30	14.48	5.30	15.68	-22.25	0.08	-26.38	-11.51	0.27	112.16	1.31
5000.00	-19.14	0.11	-74.38	14.41	5.25	10.07	-22.35	0.08	-29.25	-10.96	0.28	106.78	1.31
5200.00	-18.53	0.12	-81.24	14.40	5.25	4.64	-22.56	0.07	-32.10	-10.48	0.30	102.96	1.32
5400.00	-17.71	0.13	-87.45	14.48	5.30	-0.75	-22.70	0.07	-35.76	-9.99	0.32	99.68	1.31
5600.00	-16.75	0.15	-97.51	14.63	5.39	-6.66	-23.05	0.07	-39.16	-9.51	0.33	96.68	1.30
5800.00	-15.72	0.16	-106.88	14.76	5.47	-13.12	-23.21	0.07	-42.98	-9.27	0.34	93.53	1.28
6000.00	-15.26	0.17	-115.60	14.87	5.54	-19.58	-23.45	0.07	-46.72	-9.00	0.35	90.61	1.28
6200.00	-13.49	0.21	-121.80	15.25	5.79	-26.23	-24.07	0.06	-50.44	-8.69	0.37	90.61	1.27
6400.00	-12.03	0.25	-134.55	15.51	5.96	-35.58	-24.45	0.06	-54.21	-7.81	0.41	86.17	1.20
6600.00	-11.35	0.27	-149.69	15.63	6.05	-44.95	-24.33	0.06	-58.88	-7.26	0.43	79.36	1.11
6800.00	-10.75	0.29	-161.98	15.67	6.07	-54.20	-24.85	0.06	-66.66	-6.76	0.46	73.42	1.10
7000.00	-10.04	0.31	-175.70	15.72	6.11	-63.96	-24.75	0.06	-79.62	-6.30	0.48	67.55	1.03
7500.00	-8.76	0.36	144.40	15.71	6.10	-91.64	-25.06	0.06	-97.18	-5.00	0.56	47.77	0.85
8000.00	-8.19	0.39	93.91	14.54	5.33	-124.44	-26.18	0.05	-117.74	-4.45	0.60	21.30	0.94

勝特力材料 886-3-5753170
 勝特力电子(上海) 86-21-54151736
 勝特力电子(深圳) 86-755-83298787
[Http://www.100y.com.tw](http://www.100y.com.tw)



INTERNET <http://www.minicircuits.com>



P.O. Box 350166, Brooklyn, New York 11235-0003 (718) 934-4500 Fax (718) 332-4661

Distribution Centers NORTH AMERICA 800-654-7949 • 417-335-5935 • Fax 417-335-5945 • EUROPE 44-1252-832600 • Fax 44-1252-837010

Mini-Circuits ISO 9001 & ISO 14001 Certified