

產品型號

Ordering Information

胜特力材料 886-3-5753170
 胜特力电子(上海) 86-21-54151736
 胜特力电子(深圳) 86-755-83298787
[Http://www.100y.com.tw](http://www.100y.com.tw)



MS 3100
牆外插座
Wall Mount Receptacle



MS 3101
連線接頭
Cable Connecting Plug



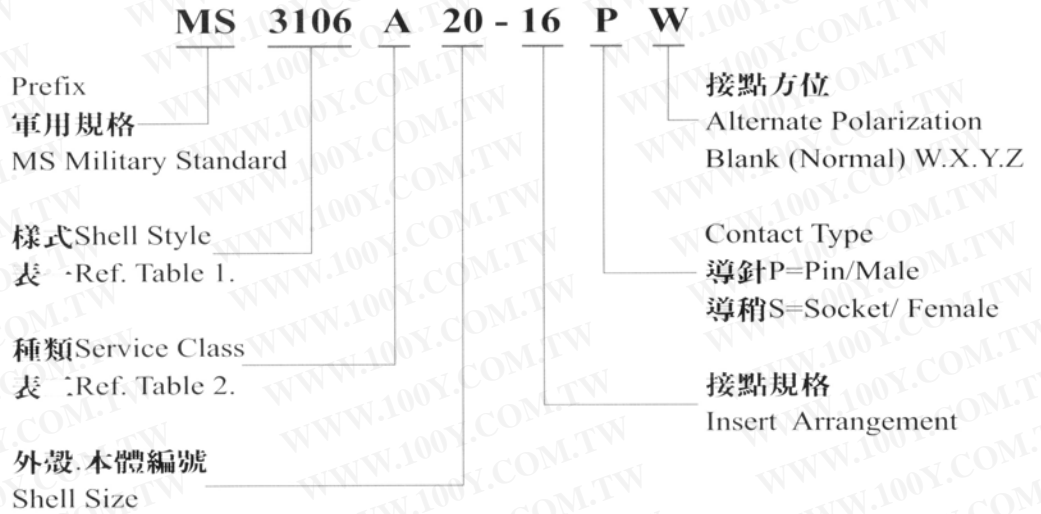
MS 3102
械外插座
Box Mounting Receptacle



MS 3106
直管接頭
Straight Plug



MS 3108
彎管接頭
90° angle Plug



表一 TABLE I. SHELL STYLE

Shell Style	MS No.	Description	Available Class
00	MS3100	Wall mounting receptacle	A.E/F.R
01	MS3101	Cable connecting plug	A.E/F.R
02	MS3102	Box mounting receptacle	A.B.E/F.R
06	MS3106	Straight plug	A.B.E/F.R
08	MS3108	90° angle plug	A.B.E/F.R
-	MS25183	Plug with potting cup	-

表二 TABLE II. SERVICE CLASS

Class	Description
A	Solid shell. Solder contacts & none pressured. 單一外殼(標準型)
B	Split shell, Solder contact & none pressured. 分割外殼. 轉動接點
E/F	Environmental use 用於環境保護
R	Solder contacts with grommet seal and without clamp 附墊圈及密封套

接頭電壓表 *Electrical Specification*

各式接頭使用電壓 Voltage Ratings

Class	Operating Volt AC	Operating Volt DC	Test rms
Inst.	200	250	1,000
A	500	700	2,000
D	900	1,250	2,800
E	1,250	1,750	3,500
B	1,750	2,450	4,500
C	3,000	4,200	7,000

接點電壓 Voltage Ratings

Contact Size	Operating Current.	Test Current Amps.	Voltage Drop mV
16	13	20	21
12	23	35	20
8	46	60	12
4	80	110	10
0	150	200	10

胜特力材料 886-3-5753170
 胜特力电子(上海) 86-21-54151736
 胜特力电子(深圳) 86-755-83298787
[Http://www.100y.com.tw](http://www.100y.com.tw)

材質 *Standard Material and Finishes*

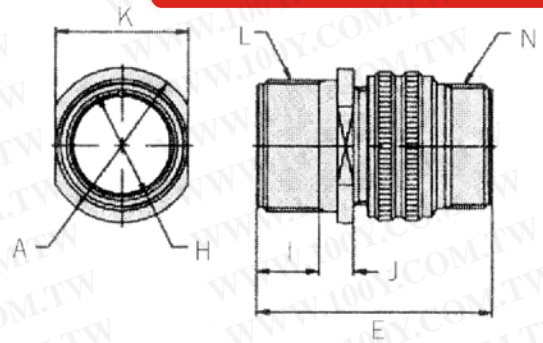
外殼Shell (MIL-STD)	鋁合金壓鑄 Aluminum alloy, conductive olive drab chromate over cadmium (Consult Factory for Commercial options.)
絕緣體 Insulator	人工橡膠 Synthetic Rubber (B-Type = Epoxy resin)
墊圈封套 Grommet and seal	人工橡膠 Synthetic Rubber
接點 Contacts	銀鍍銅合金 Copper alloy with silver plate
熱衝擊 Temperature Range	-55°C to 125°C
Environmental Protection per MIL-C-5015 (MIL-STD 202)	

主要特性 *Characteristics*

絕緣抵抗 Insulating Resistance	5,000MΩ Minimum (at 25°C)
熱衝擊 Temperature Range	-55°C to 125°C
耐久性 Durability	500 Cycle Connector/ Disconnection

連線接頭 MS3101 A/R Type (In-Line Receptacle)

胜特力材料 886-3-5753170
 胜特力电子(上海) 86-21-54151736
 胜特力电子(深圳) 86-755-83298787
[Http://www.100y.com.tw](http://www.100y.com.tw)



DIMENSIONS IN INCHES 英呎規格

SHELL SIZE	ϕA max	E max	ϕH +0.38 -0.00	I min	J max	K max	L(-2A), M(-2B) Thread	N Thread-2A
10SL	.969	1.531	.448	.375	.062	.656	5/8-24 UNEF	5/8-24 UNEF
14S	1.156	1.688	.682	.375	.072	.089	7/8-20 UNEF	3/4-20 UNEF
16S	1.250	1.688	.807	.375	.072	1.015	1-20 UNEF	7/8-20 UNEF
16	1.250	2.062	.807	.625	.078	1.015	1-20 UNEF	7/8-20 UNEF
18	1.344	2.062	.932	.625	.109	1.140	1 1/8-18 UNEF	1-20 UNEF
20	1.469	2.188	1.058	.625	.109	1.265	1 1/4-18 UNEF	1 3/16-18 UNEF
22	1.594	2.188	1.182	.625	.117	1.390	1 3/8-18 UNEF	1 3/16-18 UNEF
24	1.719	2.312	1.307	.625	.117	1.515	1 1/2-18 UNEF	1 7/16-18
28	1.969	2.312	1.526	.625	.117	1.765	1 3/4-18 UNS	1 7/16-18 UNEF
32	2.219	2.438	1.776	.625	.117	2.015	2-18 UNS	1 3/4-18 UNS
36	2.469	2.438	1.995	.625	.117	2.034	2 1/4-16 UN	2-18 UNS

DIMENSIONS IN MILLIMETERS 釐米規格

SHELL SIZE	ϕA max	E max	ϕH +0.38 -0.00	I min	J max	K max	L(-2A), M(-2B) Thread	N Thread-2A
10SL	24.61	38.88	11.38	9.53	1.57	16.66	5/8-24 UNEF	5/8-24 UNEF
14S	29.36	42.87	17.33	9.53	1.83	22.60	7/8-20 UNEF	3/4-20 UNEF
16S	31.75	42.87	20.50	9.53	1.83	25.78	1-20 UNEF	7/8-20 UNEF
16	31.75	52.37	20.50	15.88	1.98	25.78	1-20 UNEF	7/8-20 UNEF
18	34.13	52.37	23.68	15.88	2.77	28.95	1 1/8-18 UNEF	1-20 UNEF
20	37.31	55.57	26.88	15.88	2.77	32.13	1 1/4-18 UNEF	1 3/16-18 UNEF
22	40.48	55.57	30.03	15.88	2.97	35.30	1 3/8-18 UNEF	1 3/16-18 UNEF
24	43.66	58.72	33.20	15.88	2.97	38.48	1 1/2-18 UNEF	1 7/16-18
28	50.01	58.72	38.77	15.88	2.97	44.83	1 3/4-18 UNS	1 7/16-18 UNEF
32	56.36	61.92	45.12	15.88	2.97	51.18	2-18 UNS	1 3/4-18 UNS
36	62.71	61.92	50.68	15.88	2.97	57.65	2 1/4-16 UN	2-18 UNS