

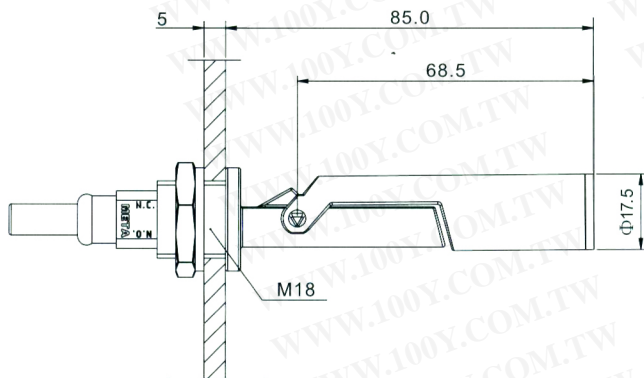
■ 特性 Features

LS系列浮子式料位開關結構簡潔，外型美觀，擁有極佳的使用壽命和性能。它們被廣泛運用於燃料罐、油壓設備、潤滑油裝置、化學和冷卻水罐等設備的水、油、化學物質的液位檢測。

此系列所包含的產品因其使用的材質不同，得以滿足客戶對於各種不同應用環境和檢測物質的需求。

LS series is featured for concise structure, delicate design, durable operations, and perfect function. They are extensively installed in the fuel tanks, oil-pressure equipments, chemical and cooling vessels, and etc. Furthermore, they are mostly used to sense substance such as water, oil, and chemicals. There are three different materials of LS series available now for varied needs from customers.

■ 尺寸圖 Dimensions



■ 動作原理 Operating Principle

浮子式料位開關是在密封的管內安裝一個磁簧開關，再將裝有磁鐵的中空浮子固定在固定桿的磁簧開關的相應位置上。因浮子比重小於液體密度，液體的增減使浮子在一定範圍內上下動作，同時利用其內部的磁鐵對於磁簧開關的吸引而產生開關動作，以此來檢測液位。開關的常開或常閉是由安裝時的浮子(上下)位置所決定。

Set up a magnetic reed switch inside the hermetic plastic tube and then anchor the float which is hollow and magnetic in the position related to the magnetic reed switch inside the pole. Liquid makes the float up and down in the fixed range when the specific weight of float is smaller than that of liquid. Use the magnet inside the float which attracts the magnet reed switch to control the level of liquid. NC or NO is the state without any liquid poured.

■ 連接方式 Connection

磁簧開關輸出，常開或常閉由安裝方式來決定，接點可連接 PLC 或繼電器等控制元件。

精度：水中 $\pm 3\text{mm}$

重複性：水中 $\pm 1\text{mm}$

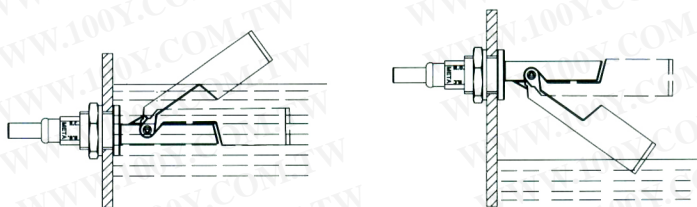
LS series is outputted by magnet reed, and the user can choose the status of NC or NO by the way of mounting. It can connect to the control system such as PLC, Relay, and etc.

Precision : $\pm 3\text{mm}$ under water

Repetition: $\pm 1\text{mm}$ under water

常閉 NC

常開 NO



產品訂貨號	Order number	LS0001	LS0002	LS0003
產品類別	Type	標準型 Standard	高溫型 High temperature	強酸/強鹼型 Strong acid / alkali
測量介質	Sensing medium		液體 Liquid	
電氣設計	Electrical design		直流 DC / 交流 AC	<div style="border: 2px solid red; padding: 5px;"> 勝特力材料 886-3-5753170 胜特力电子(上海) 86-21-54151736 胜特力电子(深圳) 86-755-83298787 Http://www.100y.com.tw </div>
輸出功能	Output		常開 NO / 常閉 NC	
工作電壓	Operating voltage		Max. 240V AC/DC	
電流負載	Current rating		0.5A (240V AC/DC)	
安裝接頭	Socket		M18 螺紋接頭 Thread	
開關容量	Capacity		70W	
實際感應角度	Sensing degree		± 30°	
儲存濕度	Storage humidity		20%~70%	
工作濕度	Operating humidity		20%~70%	
工作溫度	Operating temperature	-20℃~80℃	-20℃~120℃	-20℃~100℃
環境溫度	Ambient temperature	-20℃~80℃	-20℃~120℃	-20℃~100℃
環境壓力	Ambient pressure		10 bar	
接觸阻抗	Contact resistance		80 Ω	
外殼材料	Housing material	PBT+30%GF	PA66+30%GF	PTFE+30%GF
連接方式	Connection	1米PVC電纜 Cable	1米PUR電纜 Cable	1米PUR電纜 Cable
保護等級	Protection classification		IP68	
認證標準	Certification		CE、RoHS	

註：PTFE 適用於PH值0~14範圍之環境

Notice: PTFE is allowed to be used under the conditions with PH 0~14.