

Class H/K5 and R Fuse Blocks

250 and 600 Volt

勝特力材料 886-3-5753170
 勝特力电子(上海) 86-21-54151736
 勝特力电子(深圳) 86-755-83298787
[Http://www.100y.com.tw](http://www.100y.com.tw)



SPECIFICATIONS

Voltage Rating: 250 Volts; 600 Volts

Ampere Ratings: 0 – 600 amperes

Approvals: UL Listed (File No. E14721)
 CSA Certified (File No. LR73091)

RECOMMENDED FUSES

Class H Blocks
250V
 NLN
 RLN
600V
 NLS
 RLS

Class R Blocks
250V
 FLNR
 KLNR
 LLNRK
 TLN
600V
 FLSR/FLSR_ID
 KLSR
 LLSRK/LLSRK_ID
 IDSR

Class H fuse blocks are for use with Class H/K5 fuses, which have an interrupting rating of up to 50,000 amperes. When higher interrupting ratings are required, use Class R fuses (200,000 A.I.R.) and Class R fuse blocks. Class R fuse blocks are dimensionally the same as Class H blocks, but incorporate a rejection feature which allows only Class R fuses to be inserted.

FEATURES/BENEFITS

Class H and Class R fuse blocks feature a one-piece fuse clip design for positive electrical contact and minimum heat rise. Side barriers provide isolation between poles. Bases on most blocks are of molded phenolic or thermoplastic, UL rated at 150° C.

Class H 250V

Amp Rating	No. of Poles	Catalog Number	Connector Type (Add suffix shown)			Maximum Wire Size
			Screw	Pressure Plate	Box Lug	
30	1	LH25030-1	S (R)	P (R)	C (R)	S & P = #10 CU C = #6 CU-AL
	2	LH25030-2	S (R)	P (R)	C (R)	
	3	LH25030-3	S (R)	P (R)	C (R)	
60	1	LH25060-1	S (R)		C (R)	S = #10 CU C = #2 CU-AL
	2	LH25060-2	S (R)		C (R)	
	3	LH25060-3	S (R)		C (R)	
100	1	LH25100-1			C	#2/0 CU-AL
	2	LH25100-2			C	
	3	LH25100-3			C	
200	1	LH25200-1			C	250 MCM CU-AL
	3	LH25200-3			C	
	3	LH25200-3			C	
400	1	LH25400-1			CR	(2) 350 MCM CU-AL
	3	LH25400-3			CR	
600	1	LH25600-1			C	(2) 500 MCM CU-AL
	3	LH25600-3			C	

Class H 600V

Amp Rating	No. of Poles	Catalog Number	Connector Type (Add suffix shown)			Maximum Wire Size
			Screw	Pressure Plate	Box Lug	
30	1	LH60030-1	S (R)	P (R)	C (R)	S & P = #10 CU C = #6 CU-AL
	2	LH60030-2	S (R)	P (R)	C (R)	
	3	LH60030-3	S (R)	P (R)	C (R)	
60	1	LH60060-1			C (R)	S = #10 CU C = #2 CU-AL
	2	LH60060-2			C (R)	
	3	LH60060-3			C (R)	
100	1	LH60100-1			C	#2/0 CU-AL
	2	LH60100-2			C	
	3	LH60100-3			C	
200	1	LH60200-1			C	250 MCM CU-AL
	3	LH60200-3			C	
	3	LH60200-3			C	
400	1	LH60400-1			CR	(2) 350 MCM CU-AL
	3	LH60400-3			CR	
600	1	LH60600-1			C	(2) 500 MCM CU-AL
	3	LH60600-3			C	

Note: Reinforcing springs standard on all Class H fuse blocks 100 amperes and above.

Note: Reinforcing springs standard on all Class H fuse blocks 100 amperes and above.

Class R 250V

Amp Rating	No. of Poles	Catalog Number	Connector Type (Add suffix shown)			Maximum Wire Size
			Screw	Pressure Plate	Box Lug	
30	1	LR25030-1	SR	PR	CR	S & P = #10 CU C = #6 CU-AL
	2	LR25030-2	SR	PR	CR	
	3	LR25030-3	SR	PR	CR	
60	1	LR25060-1			CR	S = #10 CU C = #2 CU-AL
	2	LR25060-2			CR	
	3	LR25060-3			CR	
100	1	LR25100-1			C	#2/0 CU-AL
	2	LR25100-2			C	
	3	LR25100-3			C	
200	1	LR25200-1			C	250 MCM CU-AL
	3	LR25200-3			C	
	3	LR25200-3			C	
400	1	LR25400-1			CR	(2) 350 MCM CU-AL
	3	LR25400-3			CR	
600	1	LR25600-1			C	(2) 500 MCM CU-AL
	3	LR25600-3			C	

Note: Reinforcing springs standard on all Class R fuse blocks.

Class R 600V

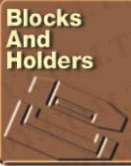
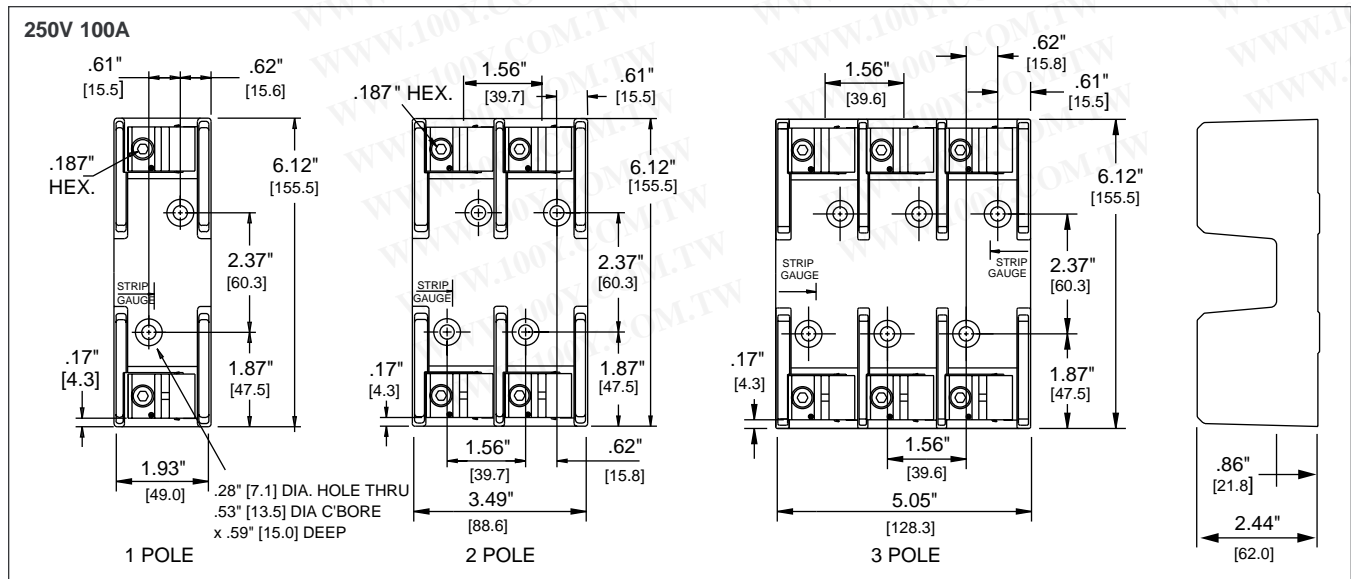
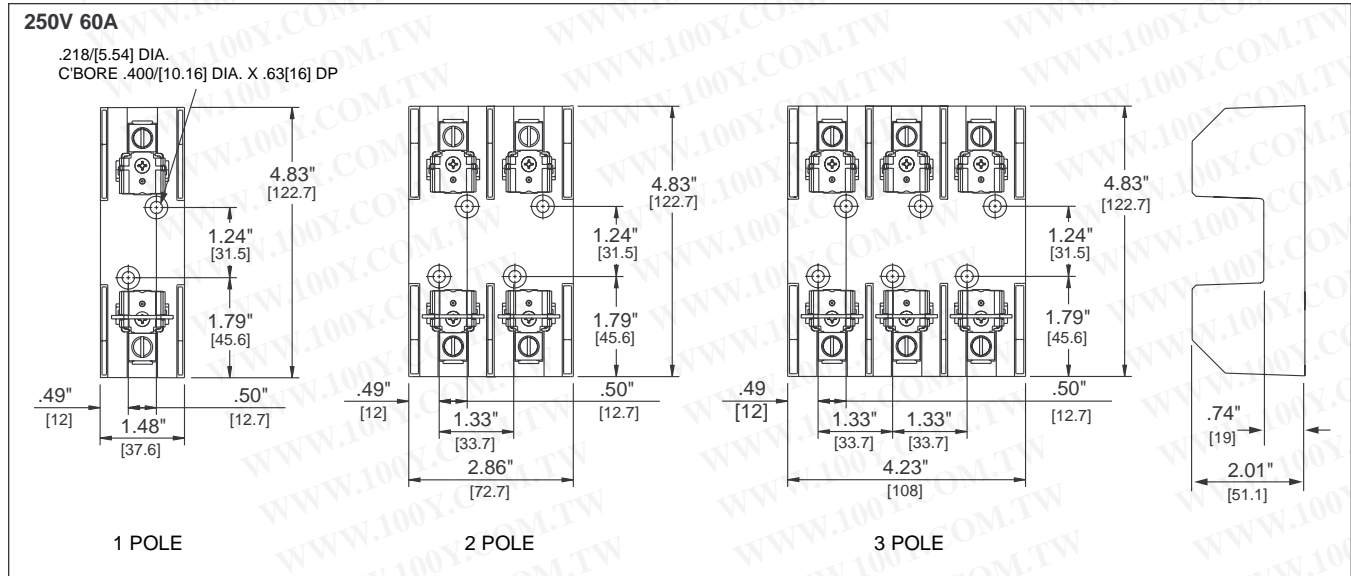
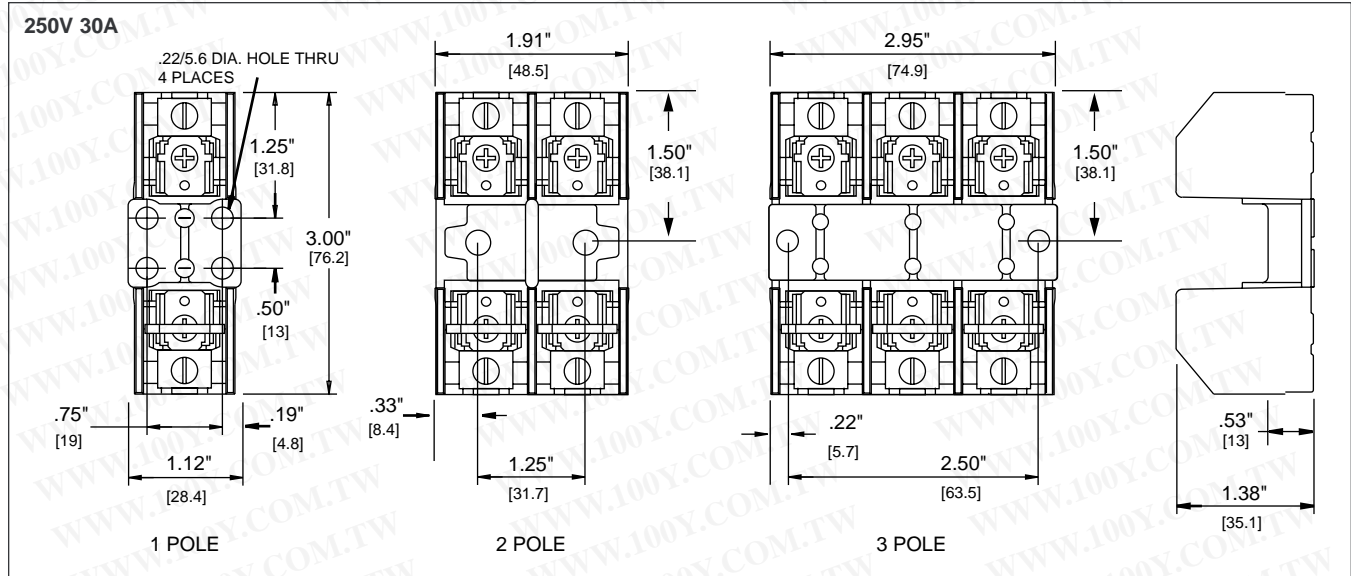
Amp Rating	No. of Poles	Catalog Number	Connector Type (Add suffix shown)			Maximum Wire Size
			Screw	Pressure Plate	Box Lug	
30	1	LR60030-1	SR	PR	CR	S & P = #10 CU C = #6 CU-AL
	2	LR60030-2	SR	PR	CR	
	3	LR60030-3	SR	PR	CR	
60	1	LR60060-1			CR	S = #10 CU C = #2 CU-AL
	2	LR60060-2			CR	
	3	LR60060-3			CR	
100	1	LR60100-1			C	#2/0 CU-AL
	2	LR60100-2			C	
	3	LR60100-3			C	
200	1	LR60200-1			C	250 MCM CU-AL
	3	LR60200-3			C	
	3	LR60200-3			C	
400	1	LR60400-1			CR	(2) 350 MCM CU-AL
	3	LR60400-3			CR	
600	1	LR60600-1			C	(2) 500 MCM CU-AL
	3	LR60600-3			C	

Note: Reinforcing springs standard on all Class R fuse blocks.

Class H/K5 and R Fuse Blocks

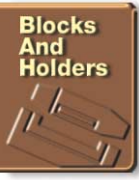
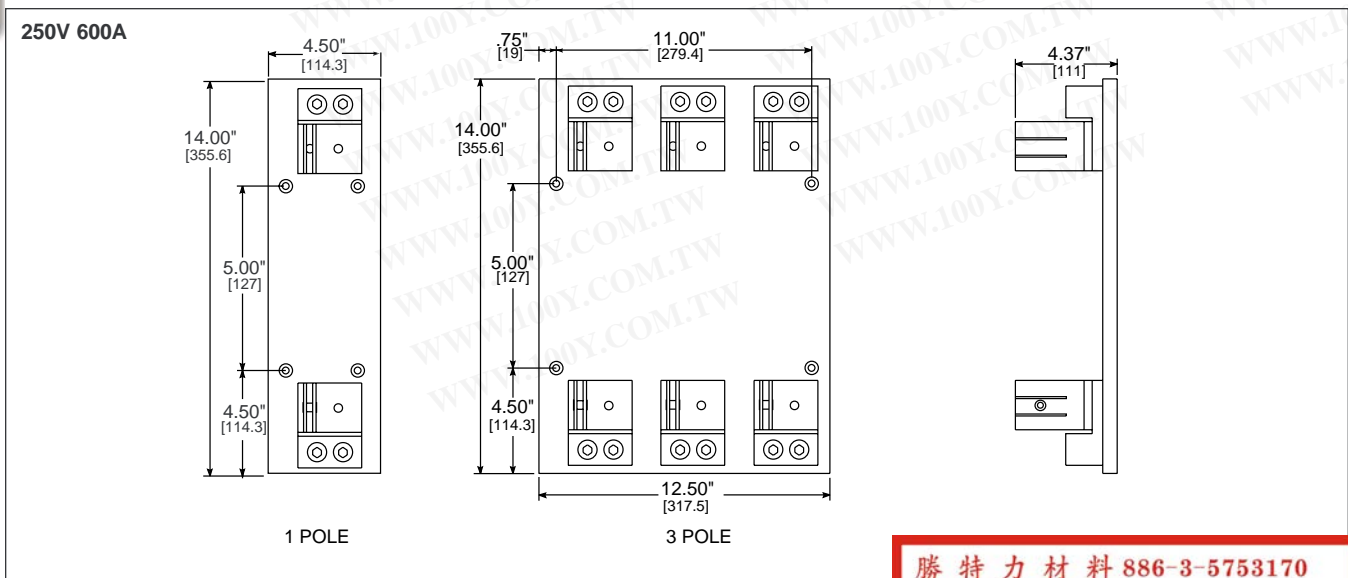
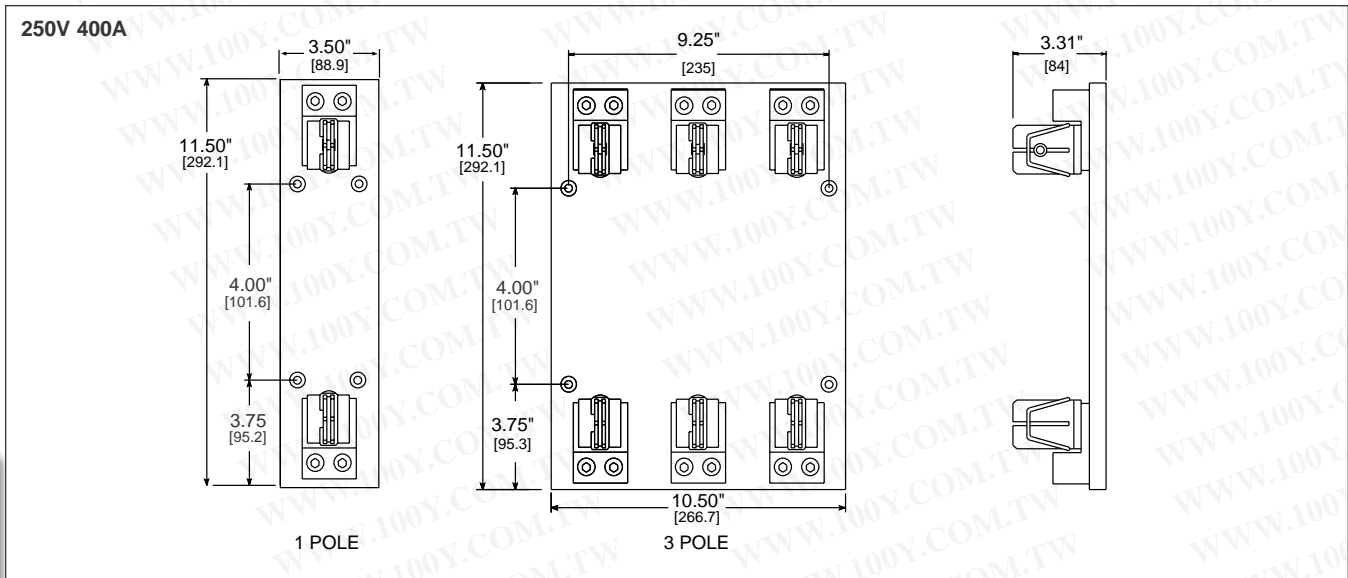
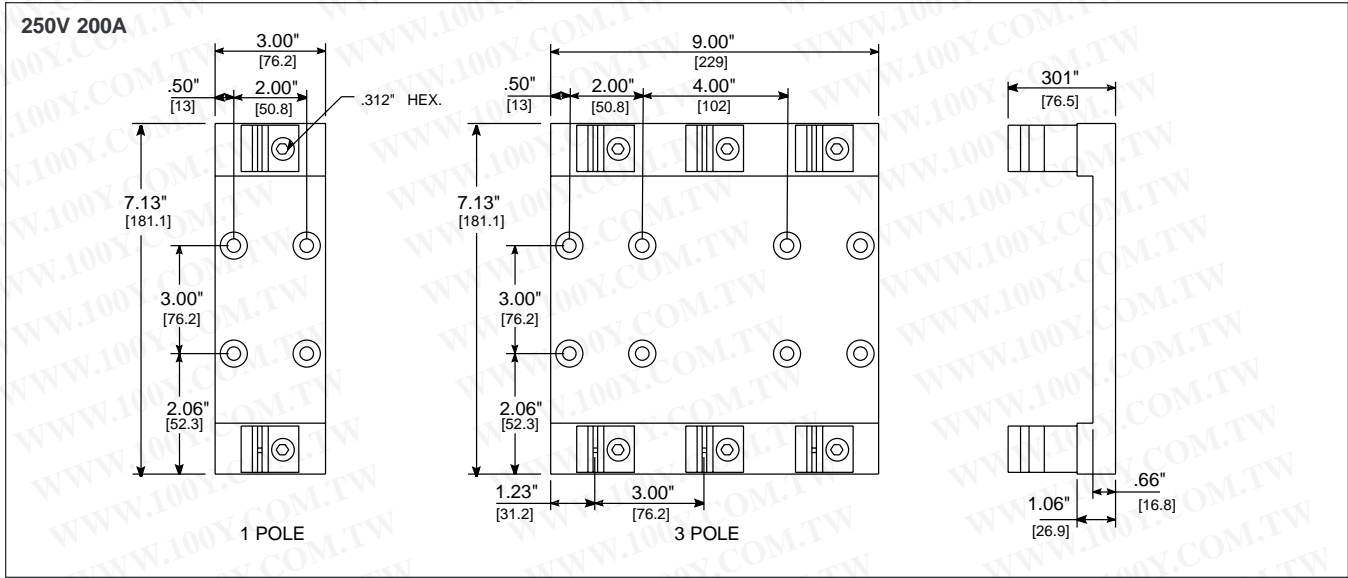
250 Volt

勝特力材料 886-3-5753170
 勝特力电子(上海) 86-21-54151736
 勝特力电子(深圳) 86-755-83298787
[Http://www.100y.com.tw](http://www.100y.com.tw)



Class H/K5 and R Fuse Blocks

250 Volt



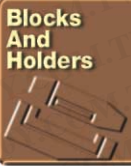
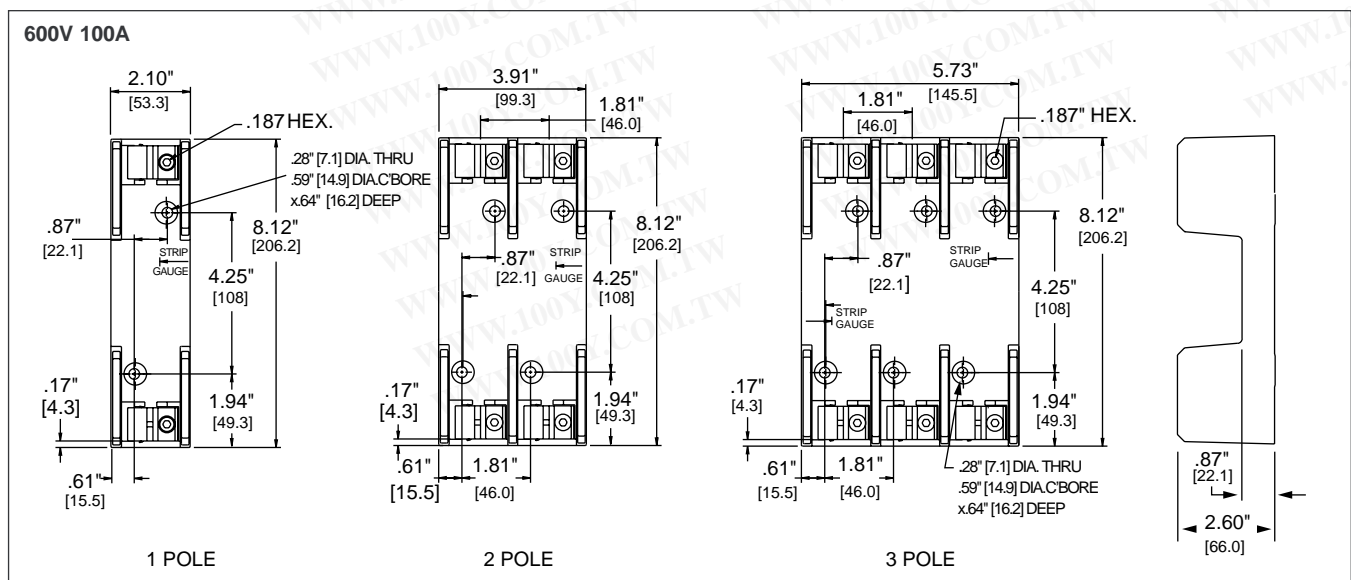
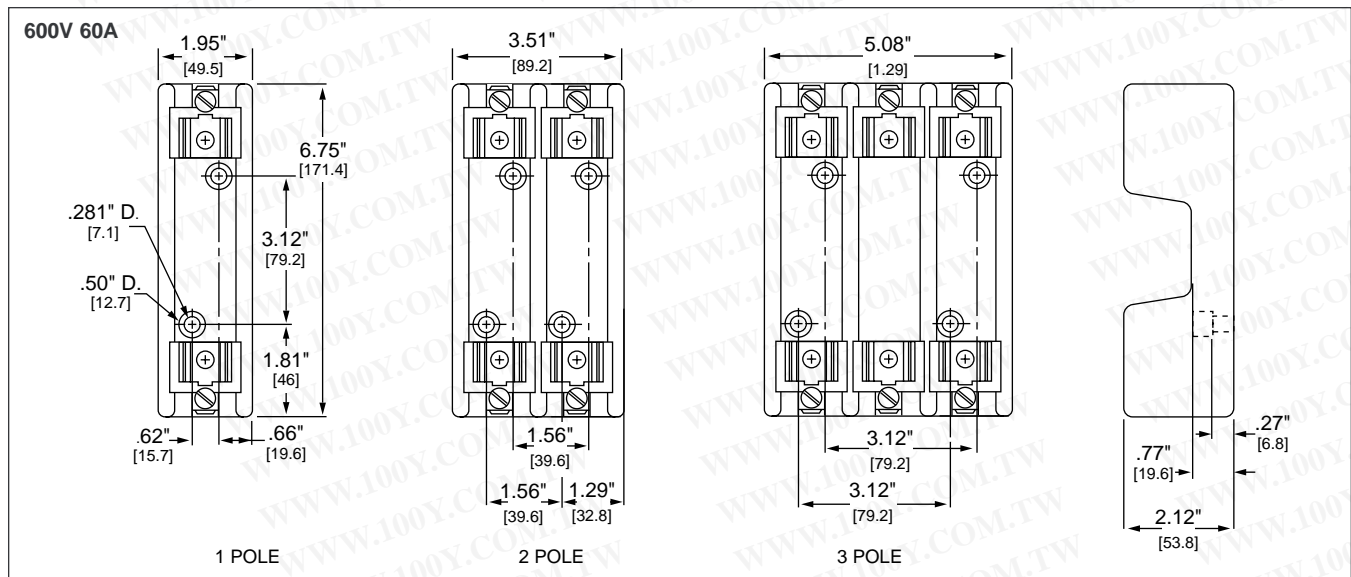
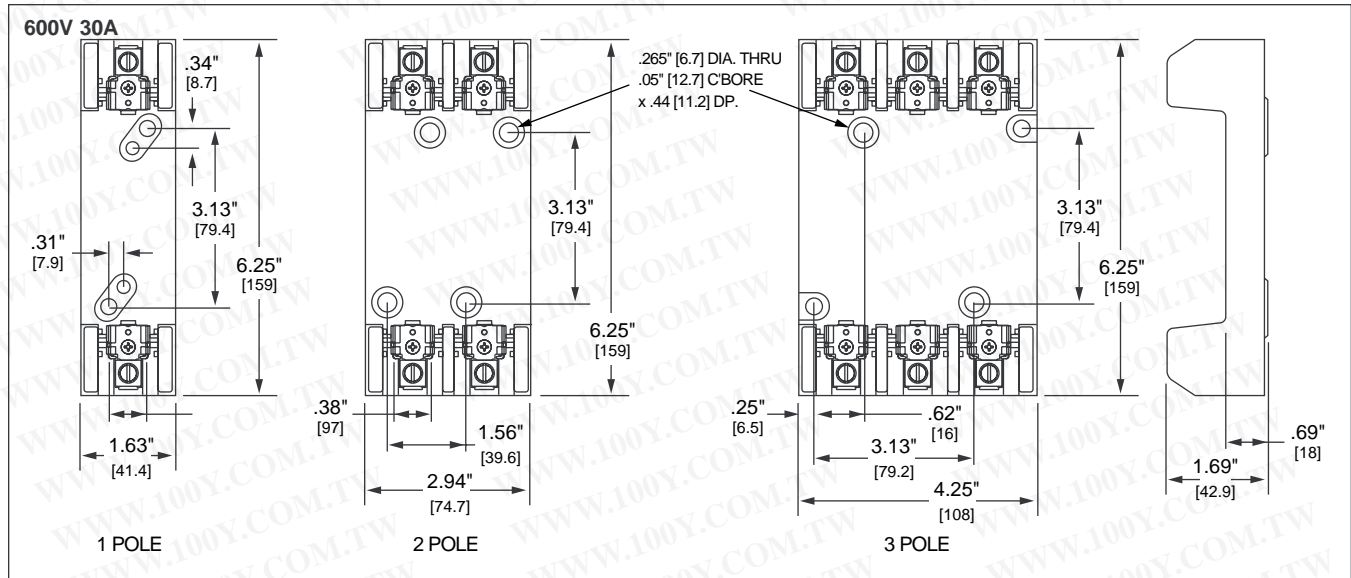
勝特力材料 886-3-5753170
 勝特力电子(上海) 86-21-54151736
 勝特力电子(深圳) 86-755-83298787
[Http://www.100y.com.tw](http://www.100y.com.tw)

Class H/K5 and R Fuse Blocks

600 Volt

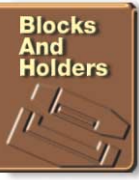
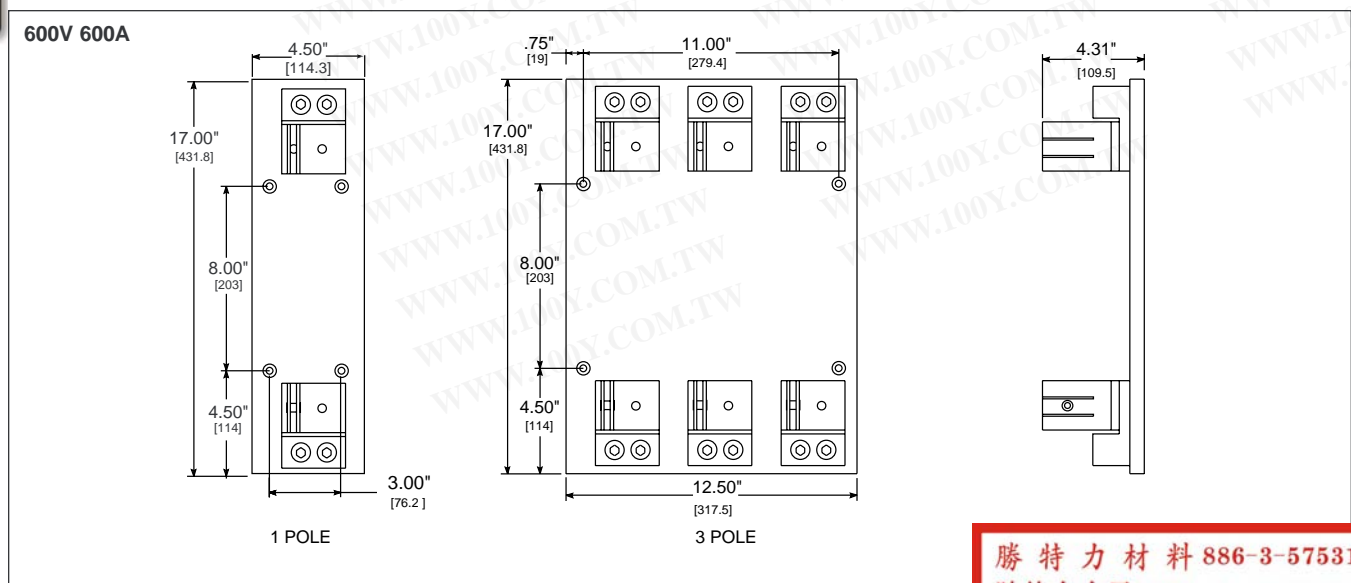
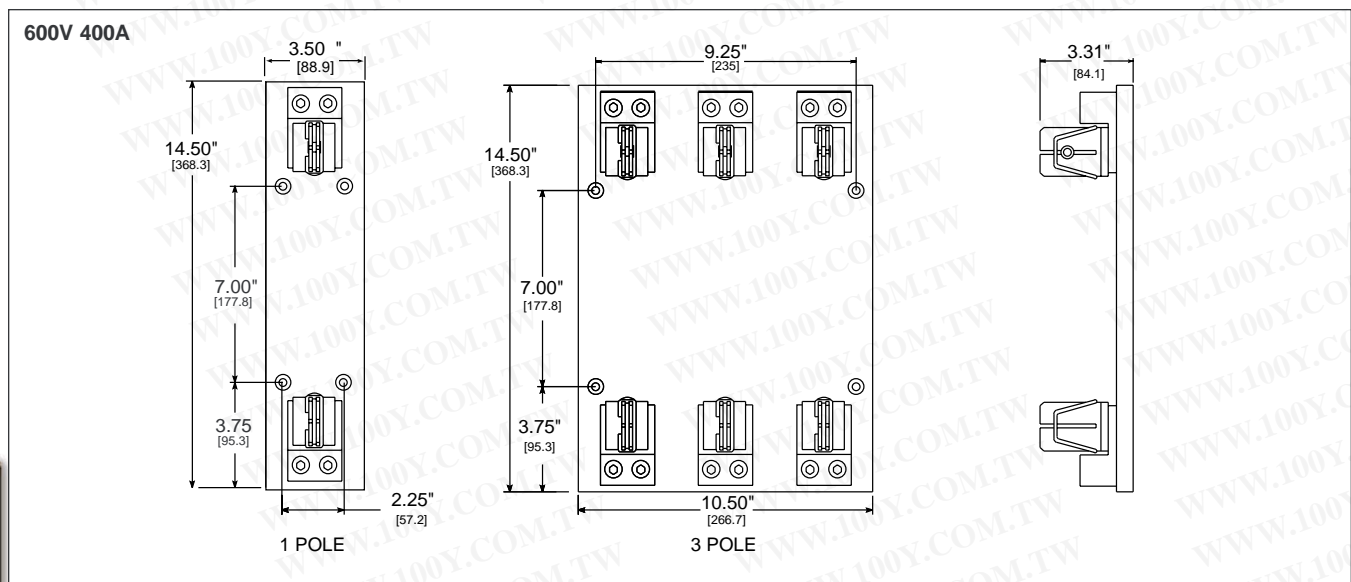
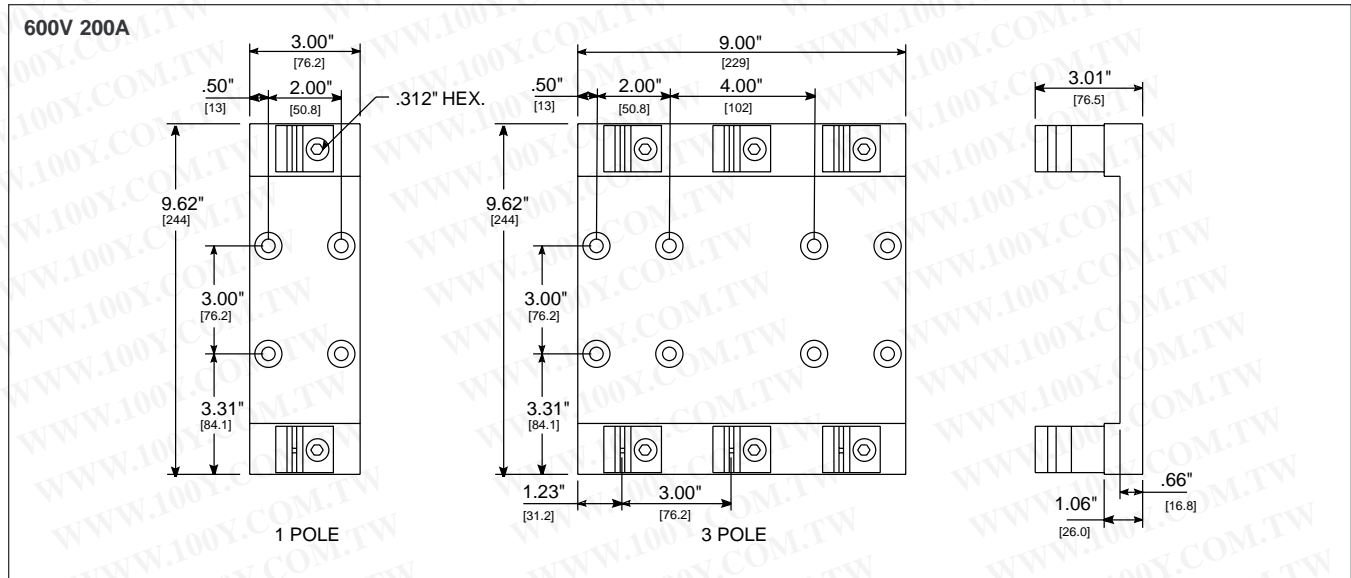
勝特力材料 886-3-5753170
 勝特力电子(上海) 86-21-54151736
 勝特力电子(深圳) 86-755-83298787
[Http://www.100y.com.tw](http://www.100y.com.tw)

Littelfuse
 POWR-GARD™ Products



Class H/K5 and R Fuse Blocks

600 Volt



勝特力材料 886-3-5753170
 勝特力电子(上海) 86-21-54151736
 勝特力电子(深圳) 86-755-83298787
[Http://www.100y.com.tw](http://www.100y.com.tw)