

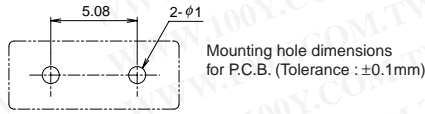
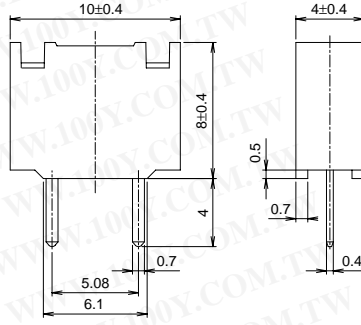
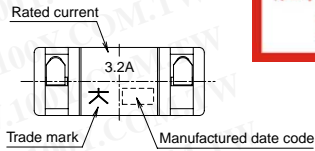
Micro Fuses

LM Fuse
Normal blow



- Physical Size · Net Weight
10 × 4 × 8mm 0.4g
- Color
Black or transparent body type
- Package
100Pcs/Stick
- Applicable Fuseholders
LM1H
LM2H

勝特力材料 886-3-5753170
勝特力电子(上海) 86-21-54151736
勝特力电子(深圳) 86-755-83298787
[Http://www.100y.com.tw](http://www.100y.com.tw)

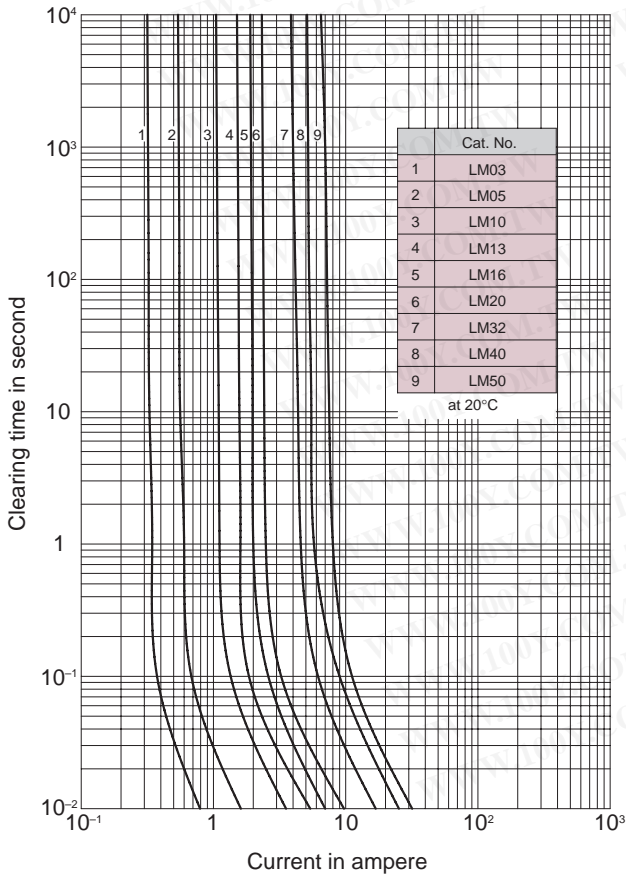


Cat. No.	Rated Current	Breaking Capacity	Typ. Resistance*1
LM03	0.3A	AC/DC 48V 50A	0.73Ω
LM05	0.5A		0.36Ω
LM10	1A		0.145Ω
LM13	1.3A		0.100Ω
LM16	1.6A		77mΩ
LM20	2A		57mΩ
LM32	3.2A		31mΩ
LM40	4A		24mΩ
LM50	5A		18mΩ

*1 : at 10% max. of rated current
☆Please designate LM []* for transparent body type.

Carrying Capacity	Clearing Time
100%	150% within 10 minutes 200% within 5 seconds

Clearing Characteristics



I²t Characteristics

