

勝特力材料 886-3-5753170

勝特力电子(上海) 86-21-54151736

勝特力电子(深圳) 86-755-83298787

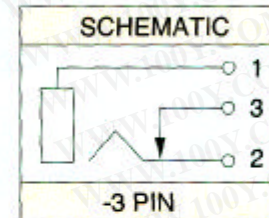
[Http://www.100y.com.tw](http://www.100y.com.tw)

Specification:

- * Contact resistance:30m ohm. max.At AC 100mA max. 1KHz
- * Insulation resistance:100M ohm min. At 500VDC.
- * Rating:Dc 12V,2A max;AC 100V,1A max.
- * Dielectric withstanding voltage:500V AC (rms) for 1 minute
- * Insertion force: 3.0Kg maximum.
- * Extraction force: 0.3Kg minimum.

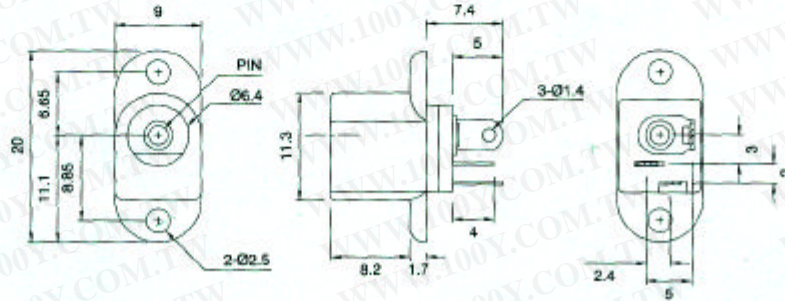
Material:

- * Housing: PBT UL94V-0
- * Center Pin: Copper Alloy
- * Terminal: Copper Alloy

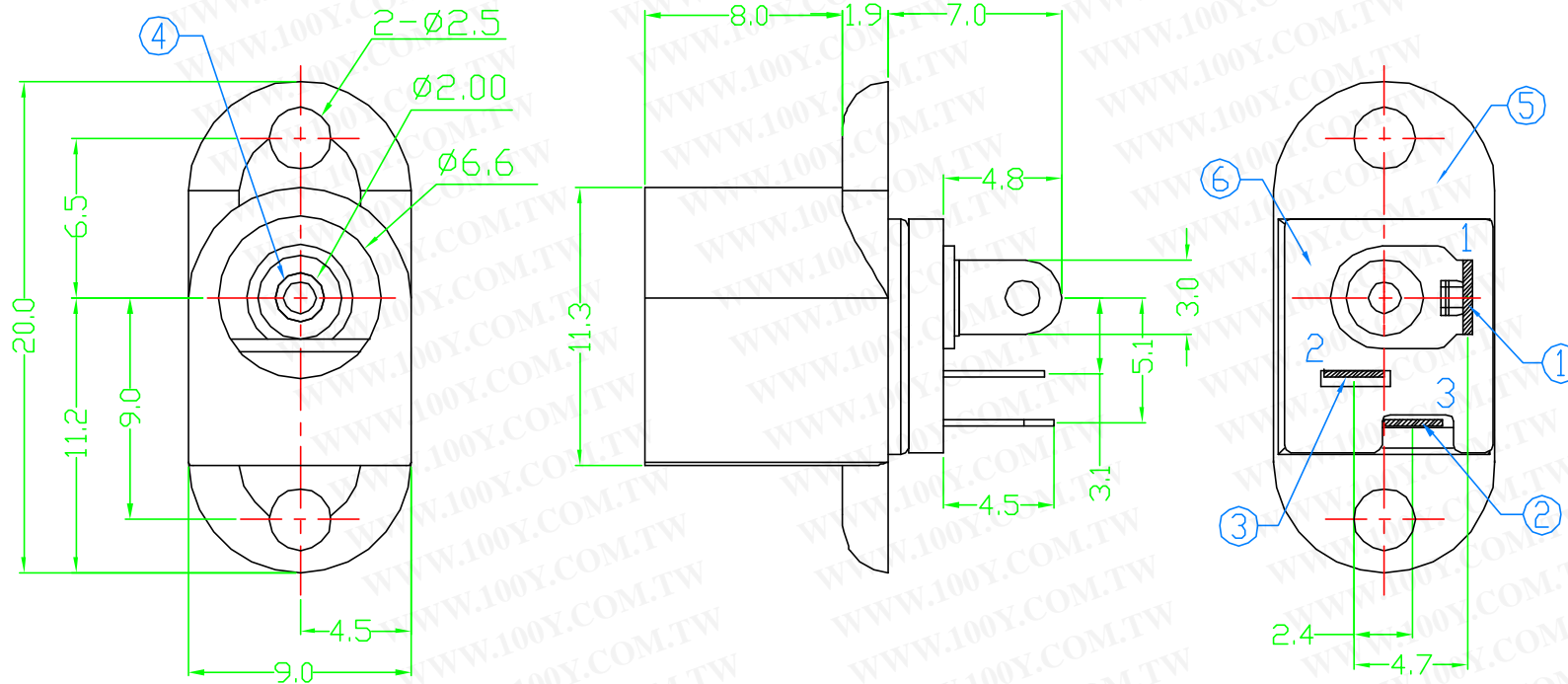


KD-015 (PIN \varnothing 2.0)

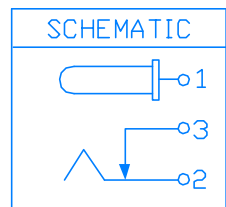
KD-015A (PIN \varnothing 2.5)



REV	ZONE	REVISION	DATE



Green Product



NO.	NAME	MATERIAL	FINISH	Q'TY
1	PIN TERM.	BRASS T:0.4	TIN PLATED	1
2	SLEEVE TERM.	PHOS. BRONZE T:0.25	TIN PLATED	1
3	BREAK TERM.	BRASS T:0.4	TIN PLATED	1
4	CENTER PIN	BRASS Ø2.0	NICKEL PLATED	1
5	HOUSING	PBT G.F.	BLACK	1
6	BOTTOM COVER	BAKELITE	BROWN	1

Specification:

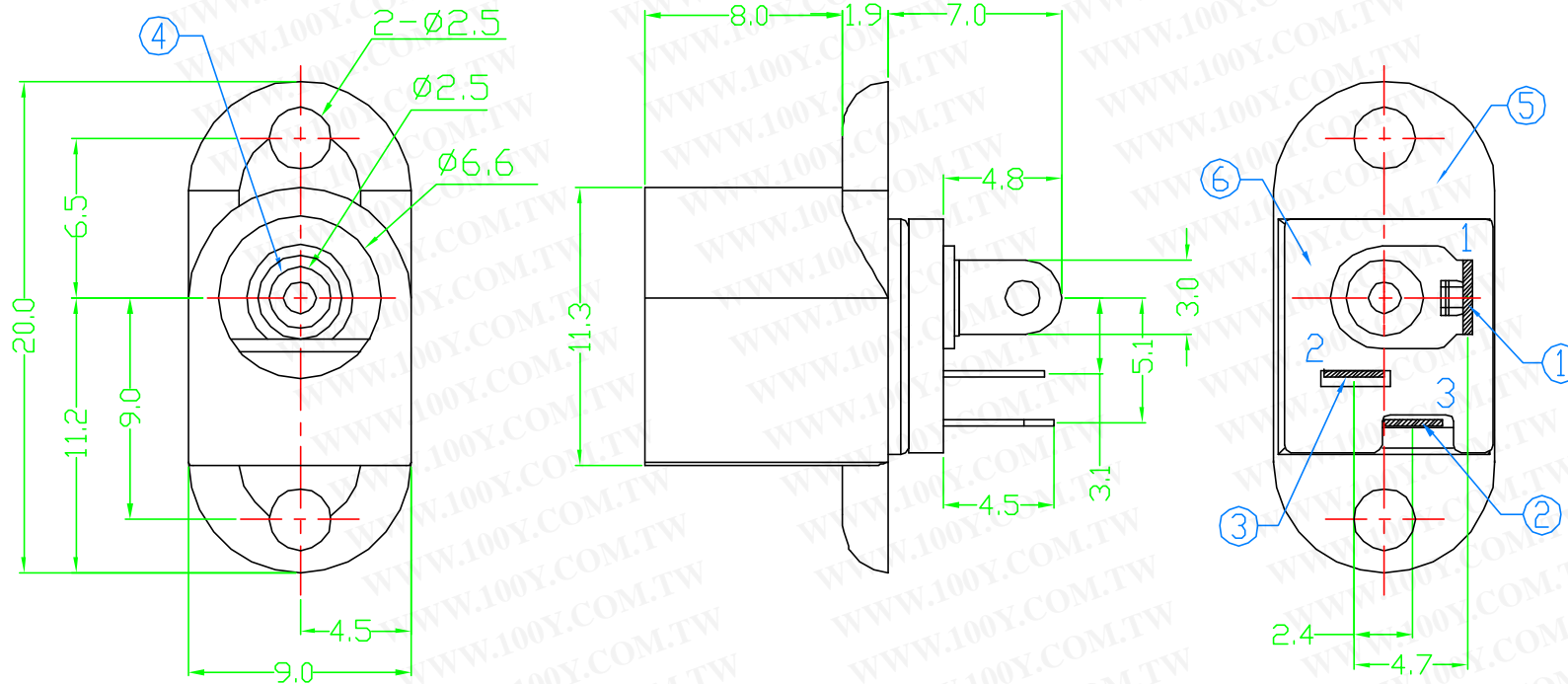
Contact Resistance: 30m Ohm Max.At AC 100mA Max .1KHz
 Insulation Resistance: 100M Ohm Min.At 500V DC
 Rated Voltage And Current: DC12V.2A Max;AC 100V.1A Max
 Dielectric Withstanding Voltage: 500V AC for 1 Minute
 Insertion Force:3.0Kg Maximum.
 Extraction Force:0.3Kg Maximum.

勝特力材料 886-3-5753170
 勝特力电子(上海) 86-21-34970699
 勝特力电子(深圳) 86-755-83298787
[Http://www.100y.com.tw](http://www.100y.com.tw)

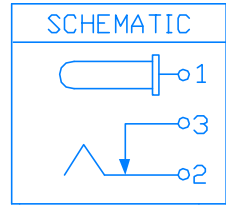
COMPUTER NO.			UNIT	SCALE	PART NAME	
D:\DWG\KD-015-L			mm	1:1	DC POWER JACK	
APPD.	CKD.	DWG.	DATE	TOLERANCE	PART NO.	REV.
		TINA	01-06-10	X. ±0.38 X ±0.25 XX ±0.13 XXX ±0.05		A0

MODEL KD-015-L PAGE 1 OF 1

REV	ZONE	REVISION	DATE



Green Product



NO.	NAME	MATERIAL	FINISH	Q'TY
1	PIN TERM.	BRASS T:0.4	TIN PLATED	1
2	SLEEVE TERM.	PHOS. BRONZE T:0.25	TIN PLATED	1
3	BREAK TERM.	BRASS T:0.4	TIN PLATED	1
4	CENTER PIN	BRASS Ø2.5	NICKEL PLATED	1
5	HOUSING	PBT G.F.	BLACK	1
6	BOTTOM COVER	BAKELITE	BROWN	1

Specification:

Contact Resistance: 30m Ohm Max.At AC 100mA Max .1KHz
 Insulation Resistance: 100M Ohm Min.At 500V DC
 Rated Voltage And Current: DC12V.2A Max;AC 100V.1A Max
 Dielectric Withstanding Voltage: 500V AC for 1 Minute
 Insertion Force:3.0Kg Maximum.
 Extraction Force:0.3Kg Minimum.

勝特力材料 886-3-5753170
 勝特力电子(上海) 86-21-34970699
 勝特力电子(深圳) 86-755-83298787
 Http://www.100y.com.tw

COMPUTER NO.			UNIT	SCALE	PART NAME	
D:\DWG\KD-015A-L			mm	1:1	DC POWER JACK	
APPD.	CKD.	DWG.	DATE	TOLERANCE	PART NO.	REV.
		TINA	01-06-10	X. ±0.38 X ±0.25 XX ±0.13 XXX ±0.05		A0

MODEL KD-015A-L PAGE 1 OF 1