

SINGLE PHASE GLASS PASSIVATED BRIDGE RECTIFIER

勝特力材料 886-3-5753170
 勝特力电子(上海) 86-21-54151736
 勝特力电子(深圳) 86-755-83298787
[Http://www.100y.com.tw](http://www.100y.com.tw)

FEATURES:

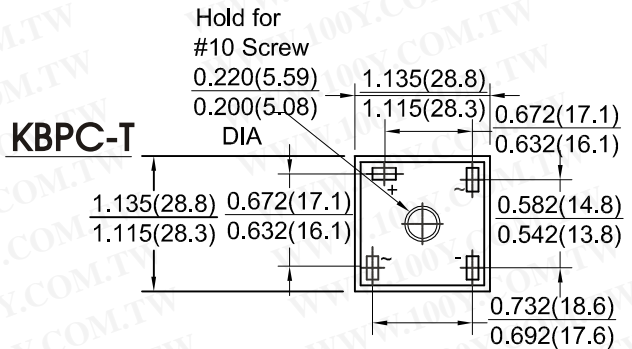
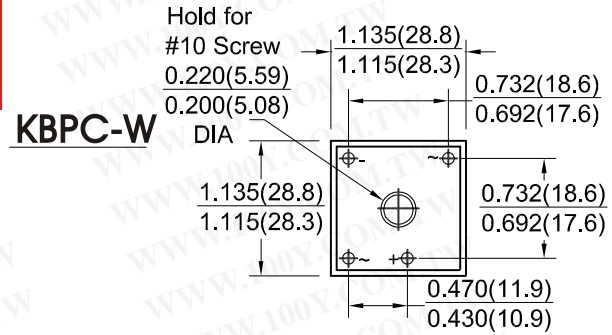
- High efficiency
- Glass passivated chip junction
- Electrically Isolated Al case for maximum heat dissipation
- Rating to 1000 v PRV

MECHANICAL DATA

Case : Mounted In the bridge encapsulation

Polarity : As marked on case

Mounting : Hole for #10 screw



Dimensions in inches and (millimeters)

MAXIMUM RATINGS AND ELECTRICAL CHARACTERISTICS

Rating at 25° C ambient temperature unless otherwise specified.

Single phase half wave, 60 Hz resistive or inductive load.

For capacitive load, derate current by 20%.

Characteristic	Symbol	KBPC							Units
		15005 GT/W	1501 GT/W	1502 GT/W	1504 GT/W	1506 GT/W	1508 GT/W	1510 GT/W	
	Marking	KBPC 15005G	KBPC 1501G	KBPC 1502G	KBPC 1504G	KBPC 1506G	KBPC 1508G	KBPC 1510G	
Maximum recurrent peak reverse voltage	V_{RRM}	50	100	200	400	600	800	1000	Volts
Maximum RMS voltage	V_{RMS}	35	70	140	280	420	560	700	Volts
Maximum DC blocking voltage	V_{DC}	50	100	200	400	600	800	1000	Volts
Maximum average forward rectified current at $T_c=55^\circ\text{C}$	I_O	15							Amps
Peak forward surge current 8.3ms single half sine-wave superimposed on rated load (JEDEC Method) Per leg	I_{FSM}	300							Amps
Maximum instantaneous forward voltage Per leg $I_F=7.5\text{A}$	V_F	1.1							Volts
Maximum DC reverse current at rated DC blocking voltage Per leg $T_c=25^\circ\text{C}$ $T_c=125^\circ\text{C}$	I_R	5.0 500							μA
Typical thermal resistance (NOTE1)	R_{th-JC}	2.3							$^\circ\text{C/W}$
Typical junction capacitance (NOTE2)	C_J	300							Pf
Operating junction and Storage temperature range	T_J, T_{stg}	-55to +150							$^\circ\text{C}$

NOTES:

(1) Device mounted on 300mm x 300mm x 1.6mm cu Plate Heatsink

(2) Measured at 1MHZ and applied reverse voltage of 4.0V D.C.

RATINGS AND CHARACTERISTIC CURVES KBPC15005GT/W THRU KBPC1510GT/W

FIG.1 - TYPICAL FORWARD CURRENT DERATING CURVE

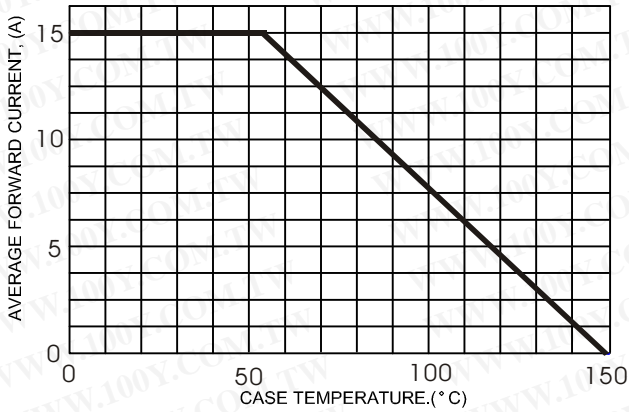


FIG.2 - TYPICAL FORWARD CHARACTERISTICS

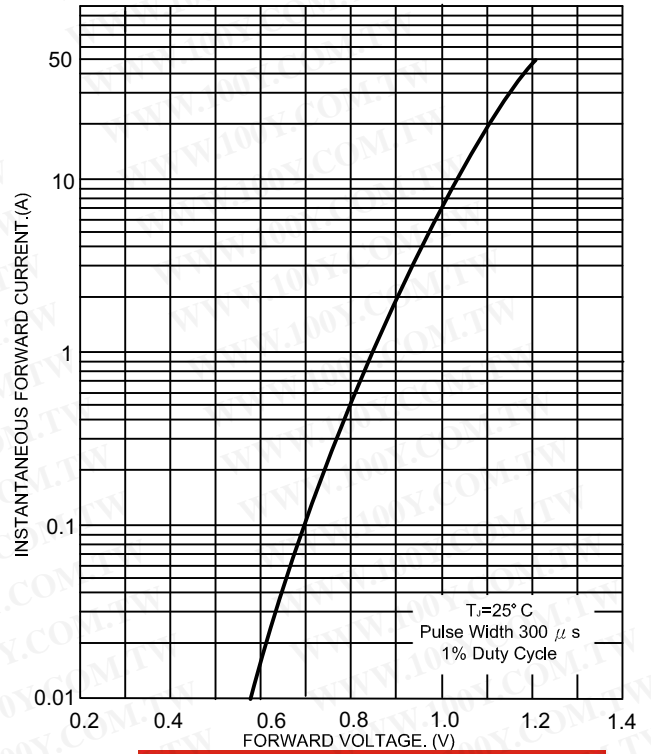
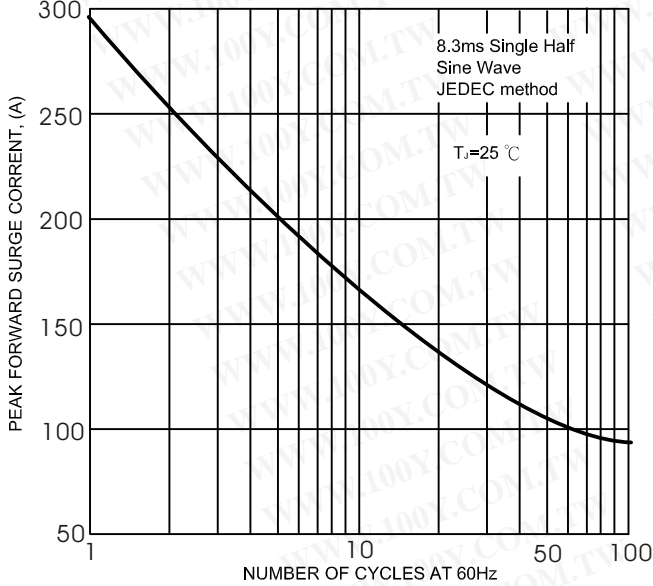


FIG.3 - MAXIMUM NON-REPETITIVE FORWARD SURGE CURRENT



勝特力材料 886-3-5753170
 勝特力电子(上海) 86-21-54151736
 勝特力电子(深圳) 86-755-83298787
[Http://www.100y.com.tw](http://www.100y.com.tw)

FIG.5- TYPICAL REVERSE CHARACTERISTICS

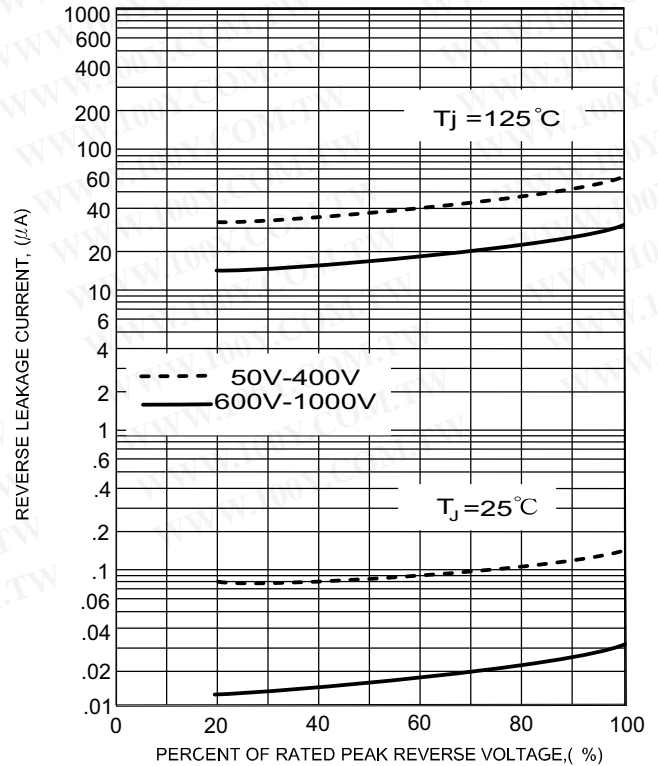
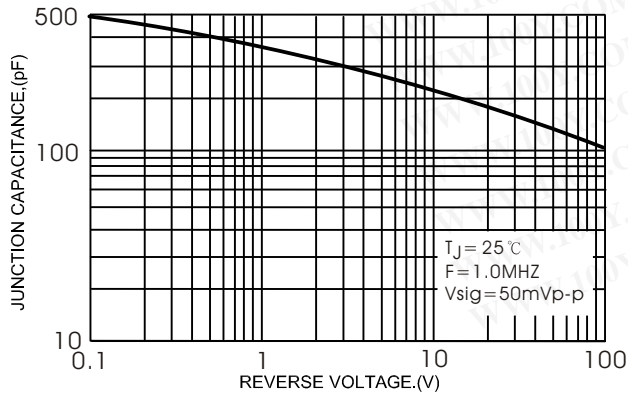


FIG.4- TYPICAL JUNCTION CAPACITANCE



RATINGS AND CHARACTERISTIC CURVES KBPC15005GT/W THRU KBPC1510GT/W

勝特力材料 886-3-5753170
 勝特力电子(上海) 86-21-54151736
 勝特力电子(深圳) 86-755-83298787
[Http://www.100y.com.tw](http://www.100y.com.tw)

