

T-Tron® Very Fast Acting Fuses

Class T

300 Volts, 1-1200 Amps



Catalog Symbol: JJN

Current Limiting

Very Fast Acting

Ampere Rating: 1 to 1200A

Voltage Rating: 300Vac (or less)*

Interrupting Rating: 200,000A RMS Sym.

Agency Information:

UL Listed, Std. 248-15, Class T, Guide JDDZ, File E4273

CSA Certified, C22.2 No. 248.15, Class 1422-02, File 53787

Catalog Numbers

JJN-1	JJN-50	JJN-250
JJN-2	JJN-60	JJN-300
JJN-3	JJN-70	JJN-350
JJN-6	JJN-80	JJN-400
JJN-10	JJN-90	JJN-450
JJN-15	JJN-100	JJN-500
JJN-20	JJN-110	JJN-600
JJN-25	JJN-125	JJN-700
JJN-30	JJN-150	JJN-800
JJN-35	JJN-175	JJN-1000
JJN-40	JJN-200	JJN-1200
JJN-45	JJN-225	—

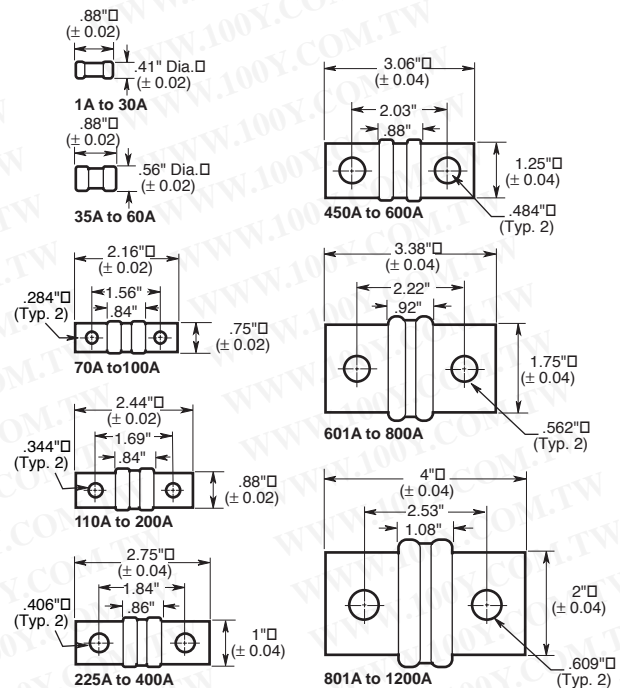
Carton Quantity and Weight—JJN-T-TRON (300Vac)

Catalog Number	Carton Qty.	Weight**	
		Lbs.	Kg.
1-30	10	0.12	0.054
35-60	10	0.23	0.104
70-100	5	0.36	0.163
110-200	1	0.14	0.063
225-400	1	0.25	0.113
450-600	1	0.44	0.200
700-800	1	0.80	0.363
1000-1200	1	1.45	0.658

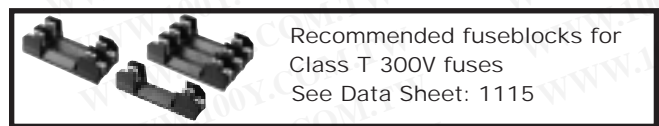
*15-600A rated 160Vdc, 601-1200A rated 170Vdc and 10 KAIC.

**Weight per carton.

Dimensional Data



- Small, space-saving fuses provide a high degree of current limitation on short-circuits for excellent component protection.
- Commonly applied in electric heat circuits, load center, disconnect switches, and meters.
- The small size of the T-Tron fuses permits installation in panelboards and control centers for system upgrading when existing circuit breakers cannot safely interrupt larger available short-circuit currents.
- High speed of response for semiconductor protection.



Recommended fuseblocks for Class T 300V fuses
See Data Sheet: 1115

勝特力材料 886-3-5753170
勝特力电子(上海) 86-21-54151736
勝特力电子(深圳) 86-755-83298787
[Http://www.100y.com.tw](http://www.100y.com.tw)

CE CE logo denotes compliance with European Union Low Voltage Directive (50-1000Vac, 75-1500Vdc). Refer to Data Sheet: 8002 or contact Bussmann Application Engineering at 636-527-1270 for more information.

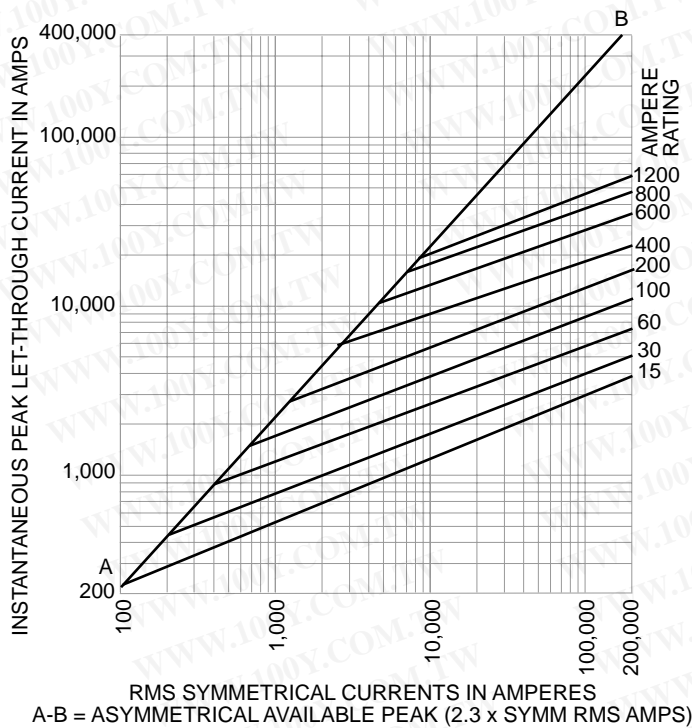
T-Tron® Very Fast Acting Fuses

JJN

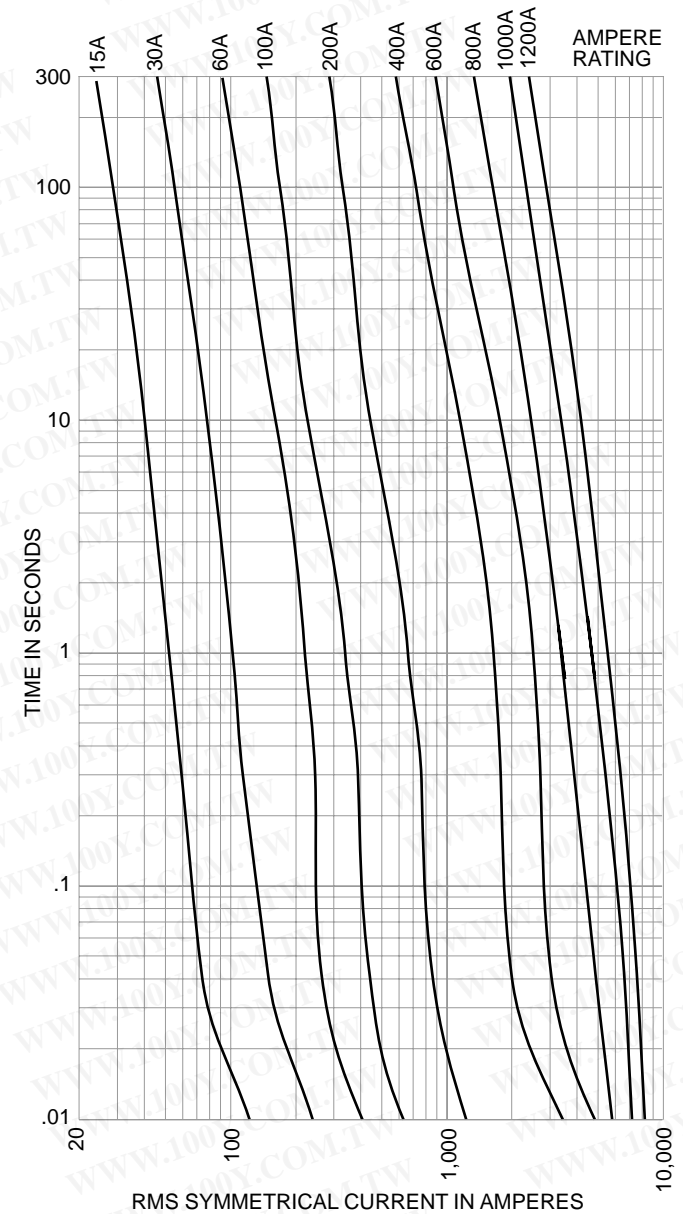
Class T

300 Volts, 1-1200 Amps

Current Limitation Curves

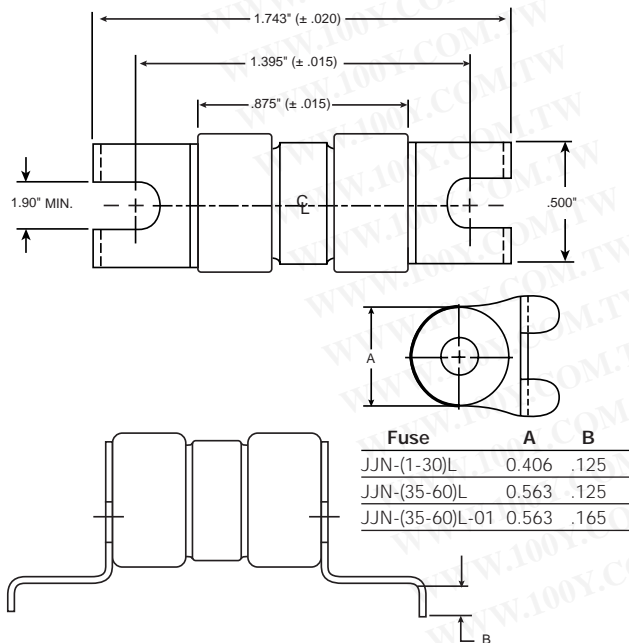


Time-Current Characteristic Curves—Average Melt



Custom Designs

- Printed circuit board variations available.



The JJN-XXL products are UL Component Recognized under File E-56412

The only controlled copy of this Data Sheet is the electronic read-only version located on the Bussmann Network Drive. All other copies of this document are by definition uncontrolled. This bulletin is intended to clearly present comprehensive product data and provide technical information that will help the end user with design applications. Bussmann reserves the right, without notice, to change design or construction of any products and to discontinue or limit distribution of any products. Bussmann also reserves the right to change or update, without notice, any technical information contained in this bulletin. Once a product has been selected, it should be tested by the user in all possible applications.