

S1D-0515WD, S1D-1010WD, S1D-2005WD

勝特力材料 886-3-5753170  
 勝特力电子(上海) 86-21-54151736  
 勝特力电子(深圳) 86-755-83298787  
[Http://www.100y.com.tw](http://www.100y.com.tw)

## DC Solid State Relay



# S1D SERIES



### Features

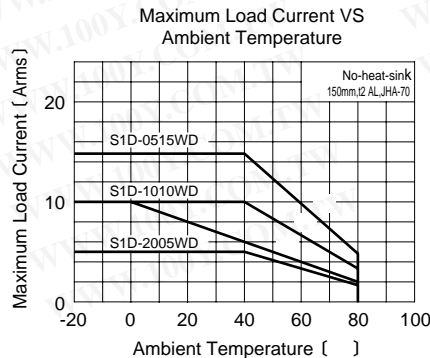
SSR for DC load  
 Max. load current at 5A、10A、15A  
 Dielectric strength between input and output at 2,500V/1 min.

MOS FET type  
 Optional safety cover available ( P88 )  
 Optional heat-sink available ( P88 )

### Type Information

S	1	D	-	0	5	1	5	W	D
Rated Load Voltage			Max. load current			Input voltage range			
05	: DC3 ~ 50V		15	: 15A		WD : DC4 ~ 28V			
10	: DC3 ~ 120V		10	: 10A					
20	: DC3 ~ 200V		05	: 5A					

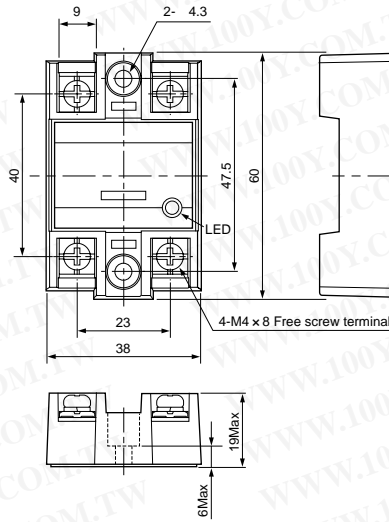
### Characteristics



Description in the catalogue is subject to change without notice. Please read the specifications thoroughly before using. Please contact JEL SYSTEM for further information.

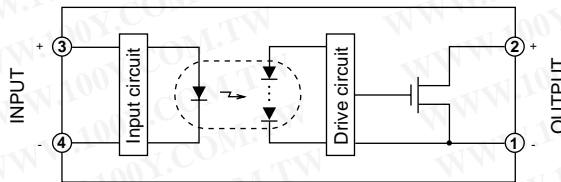
勝特力材料 886-3-5753170  
 勝特力电子(上海) 86-21-54151736  
 勝特力电子(深圳) 86-755-83298787  
[Http://www.100y.com.tw](http://www.100y.com.tw)

Dimensions (mm)



Torque range	
Output terminal	1.5 N · m( MAX )
Input terminal	1.5 N · m( MAX )
Outer case	1.5 N · m( MAX )

Equivalent Circuit



Description in the catalogue is subject to change without notice. Please read the specifications thoroughly before using. Please contact JEL SYSTEM for further information.

## Ratings

(Ta = 25 °C)

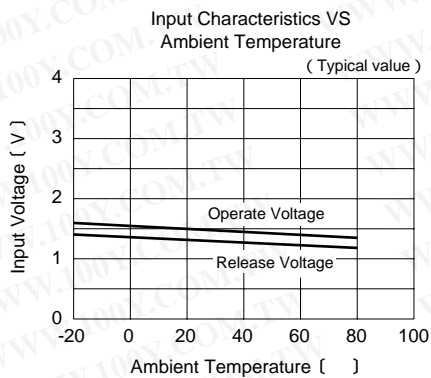
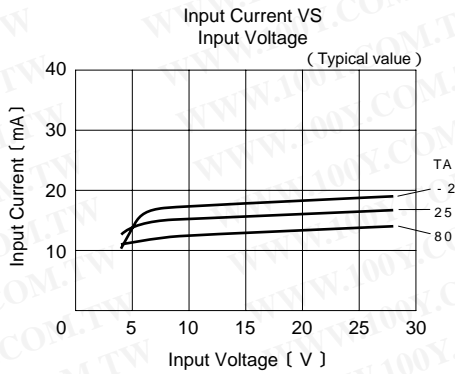
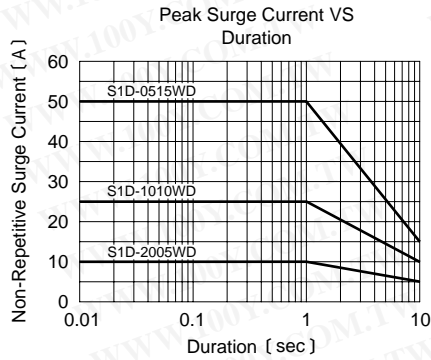
Item		Symbols	S1D-0515WD	S1D-1010WD	S1D-2005WD	Units
Output	Maximum Load Voltage	V <sub>OMAX</sub>	60	150	200	V <sub>DC</sub>
	Load Voltage Range	Pure DC	3 ~ 50	3 ~ 120	3 ~ 200	V <sub>DC</sub>
		Bridge Rectification	35	100	140	V <sub>rms</sub>
	Maximum Load Current	I <sub>OMAX</sub>	15	10	5	A <sub>DC</sub> /A <sub>rms</sub>
Surge Current Ratings		I <sub>SURGE</sub>	50 (1 sec)	25 (1 sec)	10 (1 sec)	A
Input	Maximum Input Voltage	V <sub>IMAX</sub>	28			V <sub>DC</sub>
	Input Impedance	R <sub>IN</sub>	0.25 ~ 2 (V <sub>I</sub> = 4 ~ 28V)			k
General	Dielectric Strength	V <sub>ISO</sub>	2,500 / 1 min. (Between input-output-case)			V <sub>ACrms</sub>
	Isolation Resistance	R <sub>ISO</sub>	10 <sup>8</sup> and above DC500V (Between input-output-case)(Rh40 ~ 60%)			
	Operating Temperature Range	T <sub>OPR</sub>	- 20 ~ + 80			
	Storage Temperature Range	T <sub>STG</sub>	- 30 ~ + 100			

## Electrical Characteristics

(Ta = 25 °C)

Item		Symbols	S1D-0515WD	S1D-1010WD	S1D-2005WD	Units
Output	Off State Leakage Current	I <sub>LEK</sub>	0.1 and below (V <sub>O</sub> = 50V)	0.1 and below (V <sub>O</sub> = 120V)	0.1 and below (V <sub>O</sub> = 200V)	mA <sub>DC</sub>
	On State Voltage Drop	V <sub>SAT</sub>	0.5 and below	1.5 and below	1.5 and below	V <sub>DC</sub>
	Minimum Load Current	I <sub>OMIN</sub>	0.1			mA
Input	Input Voltage Range	V <sub>I</sub>	4 ~ 28			V <sub>DC</sub>
	Operate Voltage	V <sub>P</sub>	4 and below			V <sub>DC</sub>
	Release Voltage	V <sub>D</sub>	1 and above			V <sub>DC</sub>
General	Operate Time	T <sub>ON</sub>	5ms and below (Resistance load)			
	Release Time	T <sub>OFF</sub>	5ms and below (Resistance load)			
	Capacitance	C <sub>IO</sub>	150 and below			PF

Description in the catalogue is subject to change without notice. Please read the specifications thoroughly before using.  
 Please contact JEL SYSTEM for further information.



Description in the catalogue is subject to change without notice. Please read the specifications thoroughly before using. Please contact JEL SYSTEM for further information.

S1D-0515WD, S1D-1010WD, S1D-2005WD

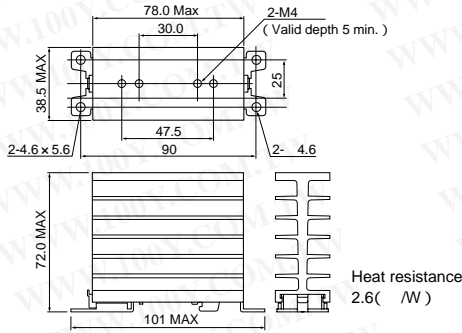
勝特力材料 886-3-5753170  
 勝特力电子(上海) 86-21-54151736  
 勝特力电子(深圳) 86-755-83298787  
 Http://www.100y.com.tw

Option

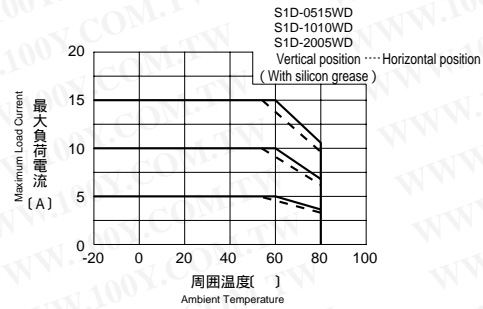
Heat-sink

Model	JHC-38-1
SUITABLE SSR	S1D Series

Dimensions

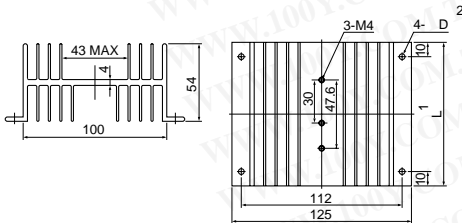


Maximum Load Current VS Ambient Temperature



Model	JHA-
SUITABLE SSR	S1D Series

Dimensions

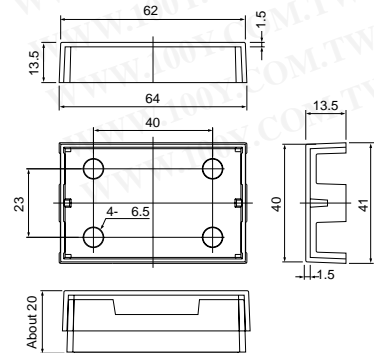


Model	Heat Resistance ( /W )	1 L (mm ) Dimensions	2 D (mm ) Dimensions
JHA-70	1.52	70	4
JHA-100	1.14	100	4
JHA-150	1.00	150	4.5
JHA-200	0.85	200	4

Safety cover

Model	CV-S101
SUITABLE SSR	S1D Series

Dimensions



Description in the catalogue is subject to change without notice. Please read the specifications thoroughly before using. Please contact JEL SYSTEM for further information.