

# IC234 Series (Open Top)

# Quad Flat Package (QFP) - Shoulder Contact Type

## Specifications

Insulation Resistance: 1,000MΩ min. at 100V DC, pitch 0.4, 0.5  
 1,000MΩ min. at 500V DC, pitch 0.65, 0.8

Dielec. Withstd. Voltage: for 1 minute at 100V AC, pitch 0.4, 0.5  
 for 1 minute at 500V AC, pitch 0.65  
 for 1 minute at 700V AC, pitch 0.8

Contact Resistance: 30mΩ max. at 10mA/20mV max.

Operating Temp. Range -40°C to +150°C

Contact Force 20g to 80g per pin

Mating Cycles: 10,000 insertions min.  
 5,000 insertions min. (IC234-1004-009)

## Materials and Finish

Housing: Polyetherimide (PEI), glass-filled  
 Polyethersulphone (PES), glass-filled

Contacts: Beryllium Copper (BeCu)

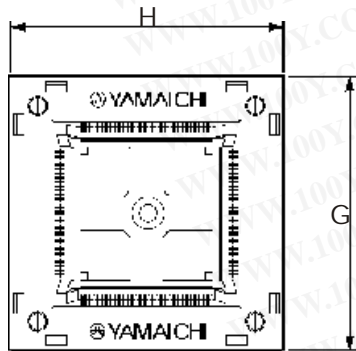
Plating: Gold over Nickel

## Features

- Open top sockets for QFP packages using a shoulder contact system
- Universal socket for both long and short IC leads
- Contact system protects the IC lead from wear and tear during testing

## Applicable Dimensions (Reference Only)

### Outline Socket Dimensions



## Part Number (Details)

IC234 - 032 4 - 044 \*

Series No.

No. of Contact Pins

Number of Sides with Contacts

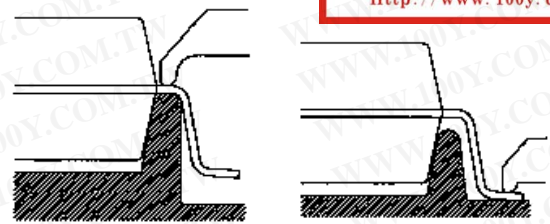
Design Number

Positioning Pin

N = Without Positioning Pin  
 P = With Positioning Pin

勝特力材料 886-3-5753170  
 勝特力电子(上海) 86-21-54151736  
 勝特力电子(深圳) 86-755-83298787  
[Http://www.100y.com.tw](http://www.100y.com.tw)

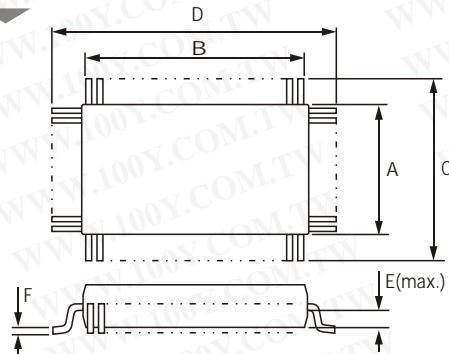
### Contact Details



Shoulder Contact, for IC234 Series

Conventional Bottom Contact

### Outline IC Dimensions



Part Number	Pin Count	Pitch (mm)	IC Dimensions					Socket Dim.	
			A x B	C	D	E (max.)	F	G	H
IC234-0324-044 *	32	0.8	7.0 x 7.0	9.00	9.00	0.67	0.125	26.6	26.6
IC234-0444-037	44	0.8	10.0 x 10.0	12.00	12.00	0.45	0.17	29.6	29.6
IC234-0444-054 *	44	0.8	9.95 x 9.95	12.80	12.80	1.35	0.16	29.6	29.6
IC234-0484-034 *	48	0.5	7.0 x 7.0	9.00	9.00	0.47	0.127	26.6	26.6
IC234-0484-039	48	0.5	7.0 x 7.0	9.00	9.00	0.7365	0.127	26.6	26.6
IC234-0644-027 *	64	0.5	9.95 x 9.95	12.00	12.00	0.66	0.127	29.6	29.6
IC234-0644-024 *	64	0.8	14.0 x 14.0	16.80	16.80	1.40	0.10	32.2	32.2
IC234-0804-026 *	80	0.5	11.95 x 11.95	14.00	14.00	0.67	0.127	31.6	31.6
IC234-0804-011 *	80	0.5	12.0 x 12.0	14.00	14.00	0.45	0.17	29.0	29.0
IC234-0804-019 *	80	0.65	13.95 x 13.95	16.80	16.80	1.35	0.15	32.2	32.2
IC234-0804-001 *	80	0.8	14.0 x 20.0	15.0~17.9	21.0~23.9	1.60	0.15	32.2	38.2
IC234-1004-045 *	100	0.4	12.0 x 12.0	14.00	14.00	0.47	0.125	32.0	32.0
IC234-1004-023 *	100	0.5	14.0 x 14.0	16.00	16.00	0.67	0.125	33.6	33.6
IC234-1004-008 *	100	0.65	14.0 x 20.0	18.15	24.15	1.33	-	32.2	38.2
IC234-1004-009 *	100	0.65	14.0 x 20.0	18.15	24.15	1.33	-	32.2	38.2
IC234-1004-013 *	100	0.65	14.0 x 20.0	17.20	23.20	1.35	0.17	32.2	38.2
IC234-1004-014 *	100	0.65	14.0 x 20.0	16.00	22.75	0.67	0.125	32.2	38.2
IC234-1004-015 *	100	0.65	14.0 x 20.0	16.75	22.00	0.67	0.125	32.2	38.2
IC234-1004-033 *	100	0.65	14.0 x 20.0	17.90	23.90	1.33	-	32.2	38.2



# IC234 - Open Top with Shoulder Contact

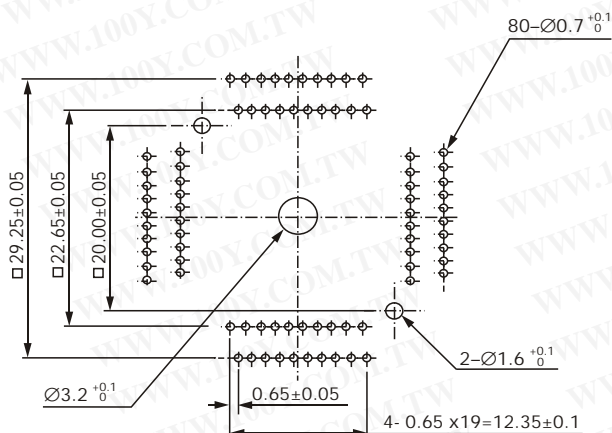
# Quad Flat Package (QFP)

## Recommended PCB Layouts (80 to 100 pins)

Top view from socket

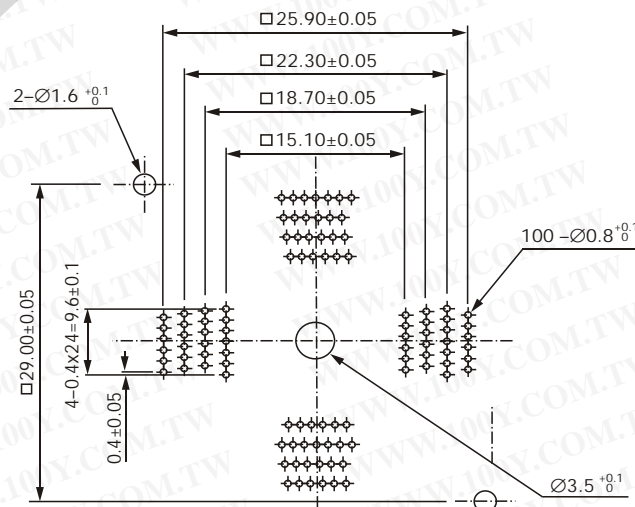
80 pins

IC234-0804-019



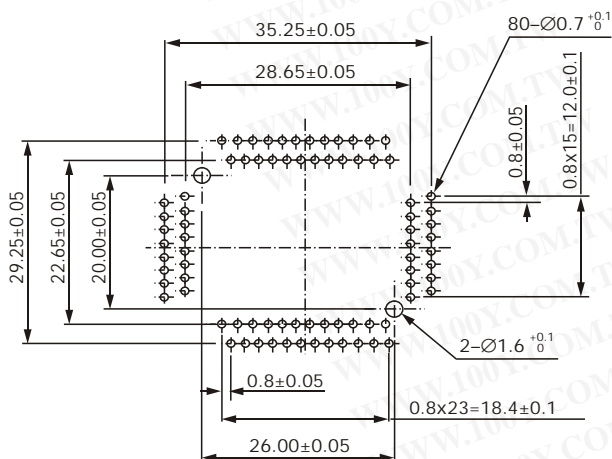
100 pins

IC234-1004-045



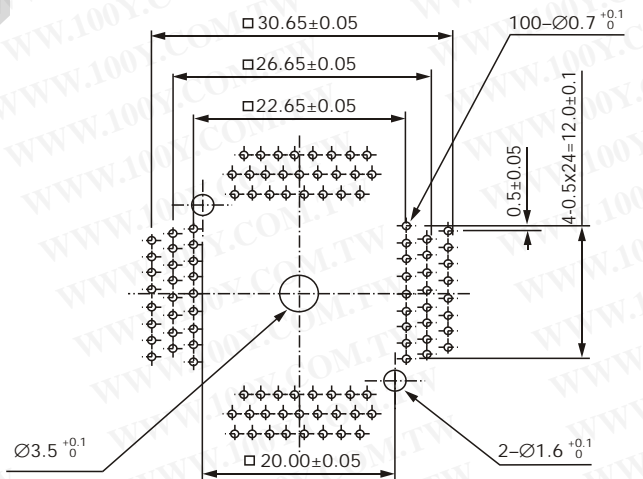
80 pins

IC234-0804-001



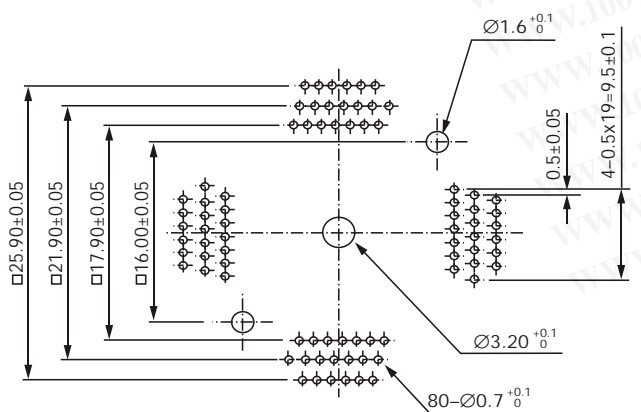
100 pins

IC234-1004-023



80 pins

IC234-0804-011



100 pins

IC234-1004-008

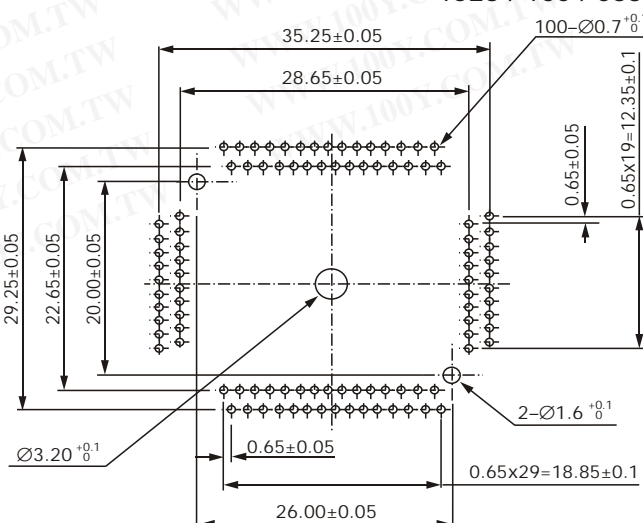
IC234-1004-009

IC234-1004-013

IC234-1004-014

IC234-1004-015

IC234-1004-033



勝特力材料 886-3-5753170  
 勝特力电子(上海) 86-21-54151736  
 勝特力电子(深圳) 86-755-83298787  
[Http://www.100y.com.tw](http://www.100y.com.tw)