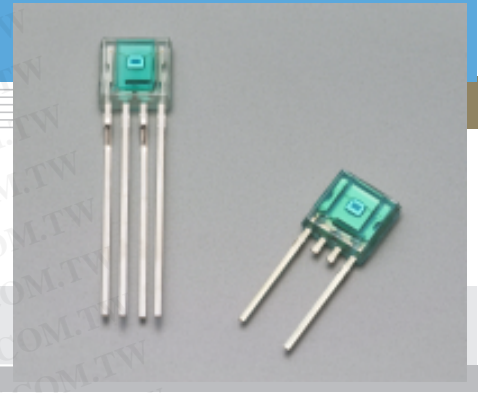


Photo IC diode

S7565, S7805-10

Linear current amplification photo IC for visible range



S7565 and S7805-10 amplify the photocurrents generated in the photodiode and provide adequate output current equal to that obtained from large active area photodiodes. These photo ICs can be used in a wide range of applications involving visible light detection.

Features

- Visible light detection
- S7565 : Amplifies photocurrents about 1,300 times
S7805-10: Amplifies photocurrents about 13,000 times
- Just as easy to use as a photodiode

Applications

- Energy saving sensor for TV and air conditioners, etc.

Absolute maximum ratings (Ta=25 °C)

Parameter	Symbol	S7565	S7805-10	Unit
Reverse voltage	VR Max.	-0.5 to +16		V
Photocurrent	IL	10		mA
Forward current	IF	10		mA
Power dissipation	P	250 *1	150 *2	mW
Operating temperature	Topr	-10 to +60		°C
Storage temperature	Tstg	-20 to +70		°C
Soldering	-	260 °C, 3 s, at least 3.6 mm away from package surface	260 °C, 3 s, at least 1.8 mm away from package surface	-

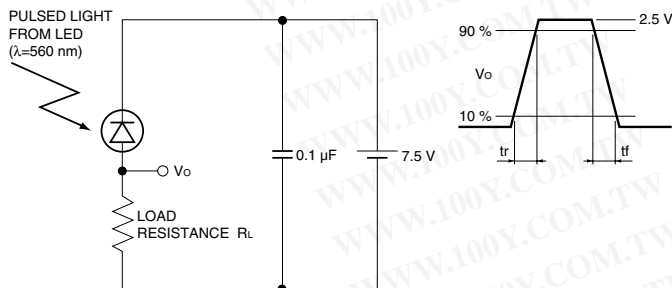
*1: Derate power dissipation at a rate of 3.3 mW/°C above Ta=25 °C

*2: Derate power dissipation at a rate of 2.0 mW/°C above Ta=25 °C

Electrical and optical characteristics (Ta=25 °C, VR=5 V)

Parameter	Symbol	Condition	S7565			S7805-10			Unit
			Min.	Typ.	Max.	Min.	Typ.	Max.	
Spectral response range	λ		-	350 to 750	-	-	350 to 750	-	nm
Peak sensitivity wavelength	λ_p		-	560	-	-	560	-	nm
Operating reverse voltage	VR		3	-	12	3	-	12	V
Dark current	ID		-	0.5	10	-	5	100	nA
Photocurrent	IL	2856 K, 1000 lx	0.24	0.32	0.4	2.25	3	3.75	mA
Rise time	tr	10 to 90 %, RL=10 k Ω	-	0.6	-	-	6	-	ms
Fall time	tf	$\lambda=560$ nm	-	0.6	-	-	6	-	ms

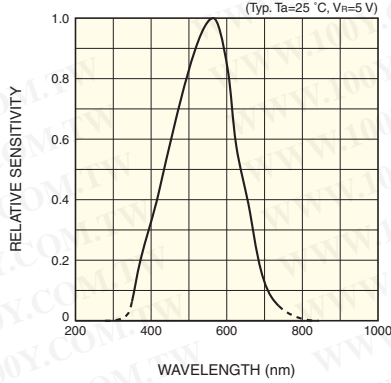
Rise/fall time measurement method



KPIC0053EA

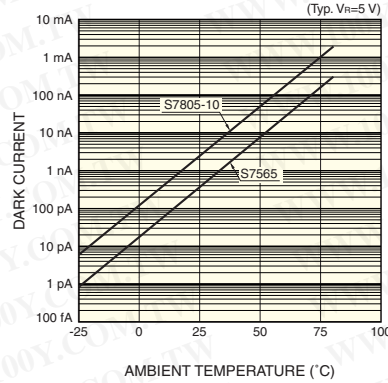
勝特力材料 886-3-5753170
 勝特力电子(上海) 86-21-54151736
 勝特力电子(深圳) 86-755-83298787
[Http://www.100y.com.tw](http://www.100y.com.tw)

■ Spectral response

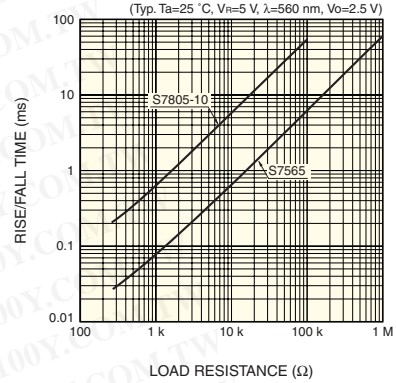


KPICB0039EA

■ Dark current temperature characteristics ■ Rise/fall time vs. load resistance

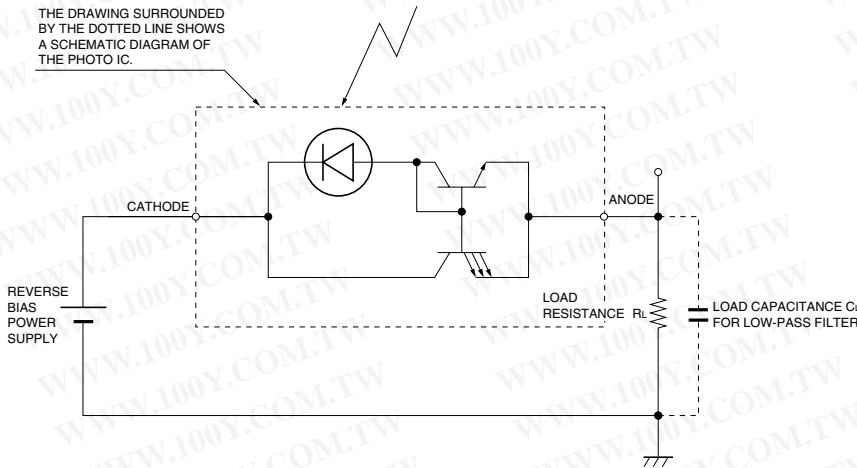


KPICB0040EA



KPICB0041EA

■ Operating circuit example

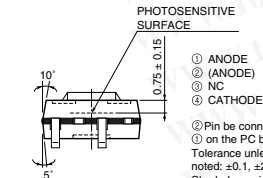
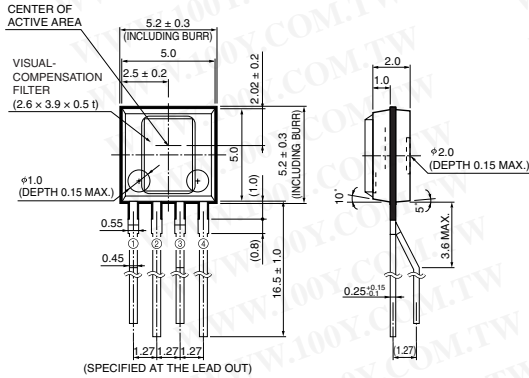


Connect a bias power supply so that a positive voltage is applied to the cathode. To remove high-frequency components from the circuit, we recommend inserting a load capacitance (CL) for low-pass filter, in parallel with a load resistance (RL). The cut-off frequency (fc) is then given by

$$\text{Cut-off frequency (fc)} \approx \frac{1}{2\pi CLRL}$$

■ Dimensional outlines (unit: mm)

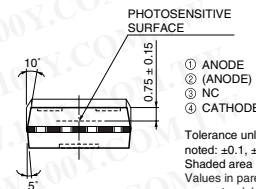
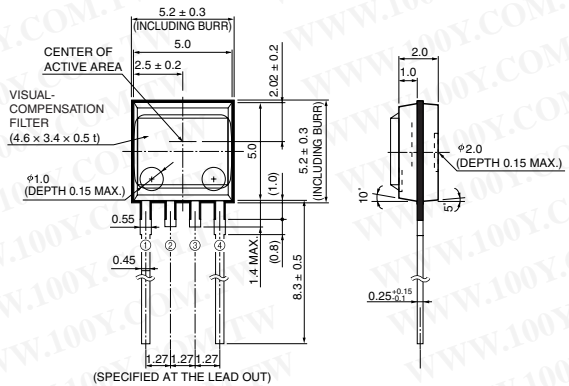
S7565



① ANODE
 ② ANODE
 ③ NC
 ④ CATHODE
 ② Pin be connected to ① on the PC board.
 Tolerance unless otherwise noted: ±0.1, ±2°
 Shaded area indicates burr.
 Values in parentheses are not guaranteed, but for reference.

KPICA0025EA

S7805-10



① ANODE
 ② ANODE
 ③ NC
 ④ CATHODE
 ② Pin be connected to ① on the PC board.
 Tolerance unless otherwise noted: ±0.1, ±2°
 Shaded area indicates burr.
 Values in parentheses are not guaranteed, but for reference.

KPICA0040EA

HAMAMATSU Information furnished by HAMAMATSU is believed to be reliable. However, no responsibility is assumed for possible inaccuracies or omissions.

Specifications are subject to change without notice. No patent rights are granted to any of the circuits described herein. ©2001 Hamamatsu Photonics K.K.

HAMAMATSU PHOTONICS K.K., Solid State Division

1126-1 Ichino-cho, Hamamatsu City, 435-8558 Japan, Telephone: (81) 053-434-3311, Fax: (81) 053-434-5184, http://www.hamamatsu.com

U.S.A.: Hamamatsu Corporation: 360 Foothill Road, P.O.Box 6910, Bridgewater, N.J. 08807-0910, U.S.A., Telephone: (1) 908-231-0960, Fax: (1) 908-231-1218

Germany: Hamamatsu Photonics Deutschland GmbH: Arzbergerstr. 10, D-82211 Herrsching am Ammersee, Germany, Telephone: (49) 08152-3750, Fax: (49) 08152-2658

France: Hamamatsu Photonics France S.A.R.L.: 8, Rue du Saule Trapu, Parc du Moulin de Massy, 91882 Massy Cedex, France, Telephone: 33-(1) 69 53 71 00, Fax: 33-(1) 69 53 71 10

United Kingdom: Hamamatsu Photonics UK Limited: 2 Howard Court, 10 Tewin Road, Welwyn Garden City, Hertfordshire AL7 1BW, United Kingdom, Telephone: (44) 1707-294888, Fax: (44) 1707-325777

North Europe: Hamamatsu Photonics Norden AB: Smidesvägen 12, SE-171 41 Solna, Sweden, Telephone: (46) 8-509-031-00, Fax: (46) 8-509-031-01

Italy: Hamamatsu Photonics Italia S.R.L.: Strada della Moia, 1/E, 20020 Arese, (Milano), Italy, Telephone: (39) 02-935-81-733, Fax: (39) 02-935-81-741