

DIN 48X48 Temperature Controller

勝特力材料 886-3-5753170
 勝特力电子(上海) 86-21-54151736
 勝特力电子(深圳) 86-755-83298787
 Http://www.100y.com.tw

H5-AN series

- ☆ DIN 48X48
- ☆ All Type With Sensor Break Alarm LED
全機種附斷線警報指示燈
- ☆ With Cold Junction Compensation, Suited To Operated At $-20^{\circ}\text{C} \sim +60^{\circ}\text{C}$.
附冷接點補償·適用 $-20^{\circ}\text{C} \sim +60^{\circ}\text{C}$
- ☆ Setting Accuracy Less Than 1.0% of F.S.
設定精度少於1.0%
- ☆ With P+D Control To Control Temperature Easily.
PFD控制方式·可精確控溫



■ Specification/規格

Model型號	H5-AN-□□-□□
Sensor Type感溫線	K<CA>orJ<I>or PT-100Ω
Control Method控制方式	P+D ON/OFF or ON/OFF
Output Method輸出方式	Relay < 5A/250 VAC > or Voltage < 20 mA/12V >
Cycle Time動作週期	2 sec or 20 sec
Degree Unit單位	°C
Power Supply工作電壓	110 / 220 VAC 20%, 50/60Hz
Current Consumption耗電流	2.5 VA max.
Insulation Resistance絕緣阻抗	100MΩ / 500 VDC
Dielectric Strength耐壓強度	2.5 KV / 1 min
Vibration Resistance抗振動	10-55 Hz/1.5mm, 2Hrs
Operating Temp/Hum工作環境	-20 ~ +60 C; 35%~85% RH
Weight重量	Appr. 185g

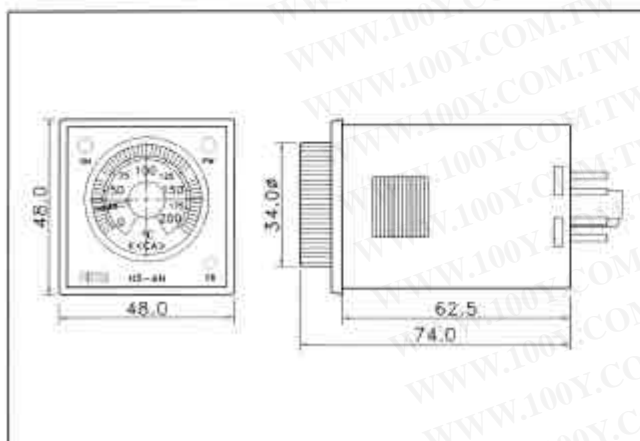
■ Guiding of Model/型號索引

H5 - AN - PT - R 4 - S

① ② ③ ④ ⑤ ⑥

- ① Series 系列
H5 series
- ② Method of Setting 設定方式
AN = Trimmer Type
- ③ Type of Sensor
NOU = K Type
J = J Type
PT = PT Type
- ④ Method of Output 輸出方式
R = Relay < 5A/250 VAC >
V = Voltage < 20mA/12 VDC >
- ⑤ Range of Setting 設定範圍
1 = 0 ~ 100
2 = 0 ~ 200
4 = 0 ~ 400
- ⑥ Method of Control 控制方式
Non = P+D ON / OFF
S = ON / OFF

■ Dimension/外型尺寸



■ Connection Diagram/接線圖

