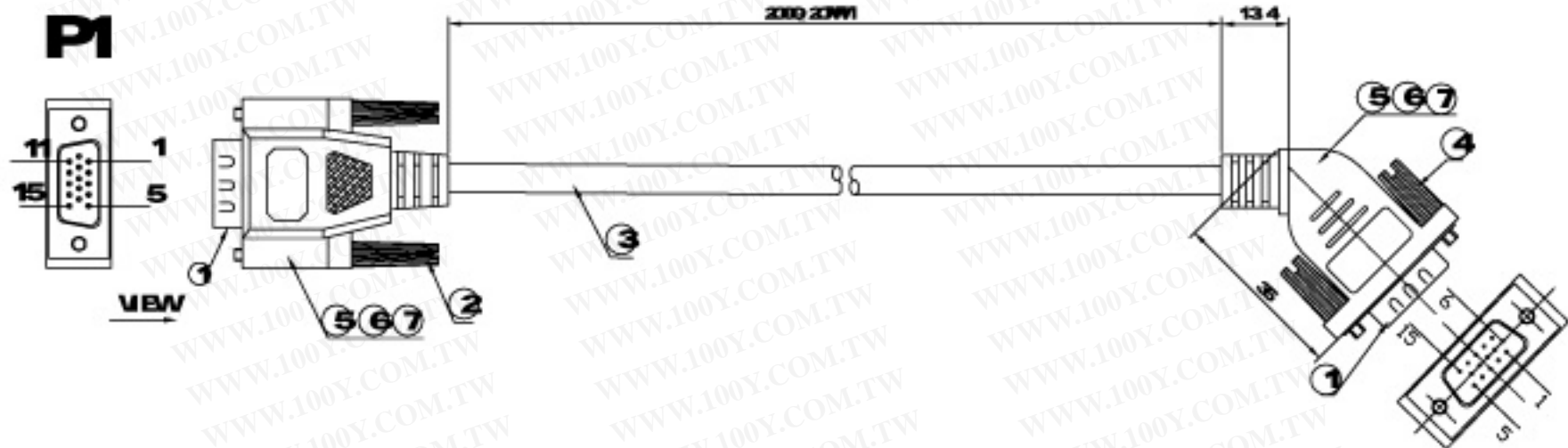


CUST:

DWG NO.:

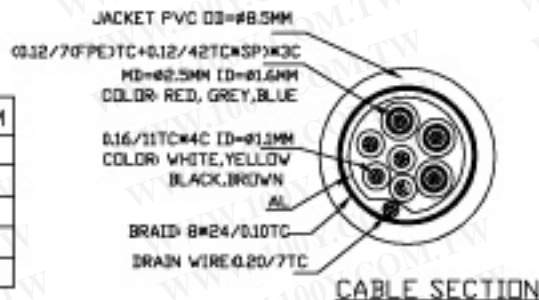
勝特力材料 886-3-5753170
 勝特力电子(上海) 86-21-54151736
 勝特力电子(深圳) 86-755-83298787
[Http://www.100y.com.tw](http://www.100y.com.tw)

REVISION	DATE	APP.



PIN ASSIGNMENT:

15P/M	COLOR	15P/M	15P/M	COLOR	15P/M
1	RED	1	8	BLUE/SHELL	8
6	RED/SHELL	6	10	WHITE	10
2	GREY	2	13	YELLOW	13
7	GREY/SHELL	7	14	BROWN	14
3	BLUE	3	CLAD	SHELL+BK	CLAD



PART	DESCRIPTION	QTY	COLOR	VENDOR	REMARK
7	HEAT SHRINK TUBE:φ1.0*25mm	2	BLK	HB	
6	HEAT SHRINK TUBE:φ3.0*8mm	6	BLK	HB	
5	HEAT SHRINK TUBE:φ2.0*10mm	6	BLK	HB	
4	SCREW:4#40UNC L=2mm	2	BLK	BH	
3	UL295 (1/0 180) * 4 (7/0 120 FE 108 (4/0 120) * 3 + AL-DRAIN (7/0 2) + Braid (2#80 100) (85m	1	NO-2	J.T/L.H	200m
2	SCREW:4#40UNC L=47mm	2	BLK	BH	
1	HDMI MALE BLACK INJECTOR SOLDER GF	2		CS	

ISSUE: A	TITLE: 15P HDMI VENDOR CABLE
SHEET: 1/1	SIZE: A4
SCALE 1:1	UNIT: MM
DRAW: rrrr	DATE: 03-12-25
CHECK:	APPROVE:
CUSTOMER:	CUSTOMER P/N:

勝特力材料 886-3-5753170
 勝特力电子(上海) 86-21-54151736
 勝特力电子(深圳) 86-755-83298787
[Http://www.100y.com.tw](http://www.100y.com.tw)