

CUST:

DWG NO.:

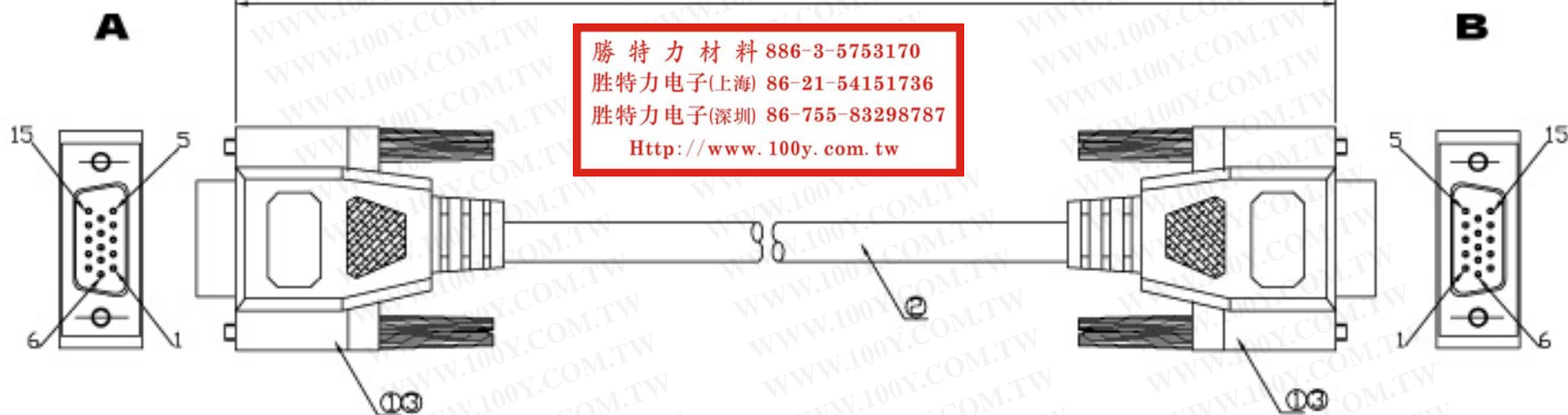
REVISED

DATE

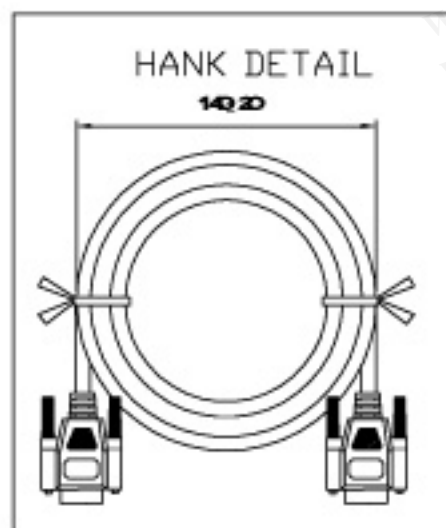
APP.



1180 3D



勝特力材料 886-3-5753170
 胜特力电子(上海) 86-21-54151736
 胜特力电子(深圳) 86-755-83298787
[Http://www.100y.com.tw](http://www.100y.com.tw)



PIN ASSIGNMENT:

15P MALE(A)	1	2	3	4	5	6	7	8	9	10	11	12	13	14	15	CLAD
15P MALE(B)	1	2	3	4	5	6	7	8	9	10	11	12	13	14	15	CLAD

PART	DESCRIPTION	QTY	COLOR	VENDOR	REMARK
3	SC8264P0NCL-9m	4			
2	UL28442B 15A-L FOL-DRAIN OD8mmOD6.0mm	1	BBCE	J.T/L.H	1180mm
1	HDSIEMLE PLASTIC CONTACT G3DRASHRAD	2		CSKN	

	ISSUE: A	TITLE: HDSIEMLE	
SHEET: 1/1	SIZE: A4	CUSTOMER:	CUSTOMER P/N:
SCALE 1:1	UNIT: MM		
DRAW: rare	DATE: 03-12-22		
CHECK:	APPROVE:		