



- These new die-cast aluminium boxes are the best quality and finish compared with other european and northern America made similar boxes.
- Why don't you pay less to get better quality similar boxes? We think the decision is easy for you to made
- Aluminium die-cast boxes moulded to 380 aluminum alloy (BS1490 LM24)
- Ideal for RF projects or for projects which are subject to weather
- Robust, Light weight and easy to machine.
- Ideal for projects involving heat as the case itself makes an excellent heatsink

**Material**

- 380 Die-Cast aluminium alloy

**Features :**

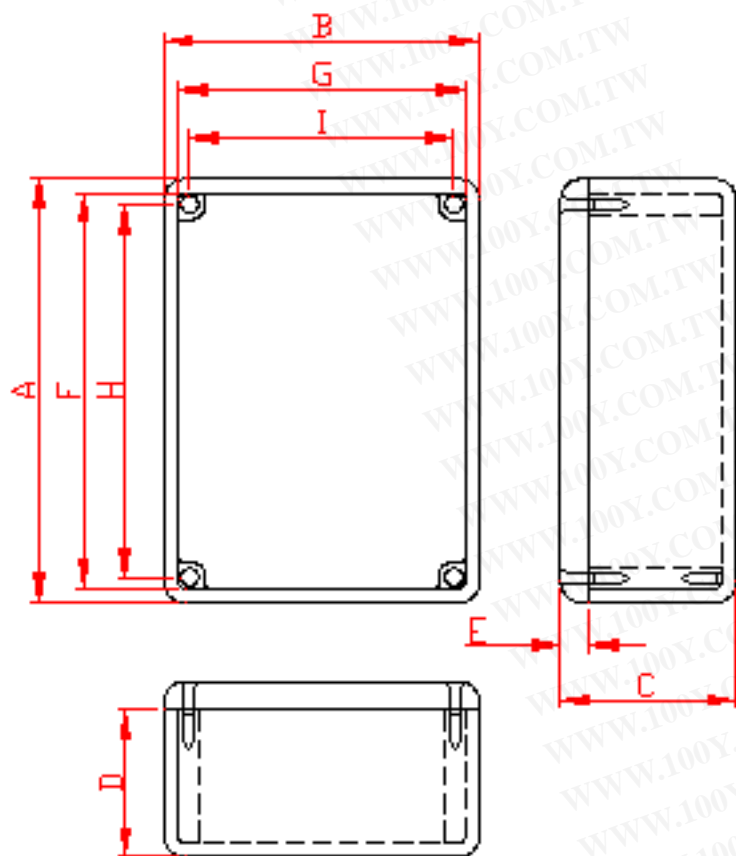
- Close - fitting flanged LIDs
- Excellent screening properties
- Light weight and easy to machine

**Application :**

- Instrument
- Meter case
- Filter networks
- Junction box
- They are also ideal for concealment or other interior user

<b>Stock No.</b>	<b>External Dimension(mm) Width x Depth x Height</b>
GO123	<b>90 x 38 x 30</b>
GO124	<b>111 x 60 x 30</b>
GO470	<b>50.8 x 50.8 x 31.8</b>
GO474	<b>120.5 x 120.5 x 59.2</b>
GO477	<b>187 x 118 x 38</b>
GO478	<b>190.4 x 190.5 x 66.5</b>

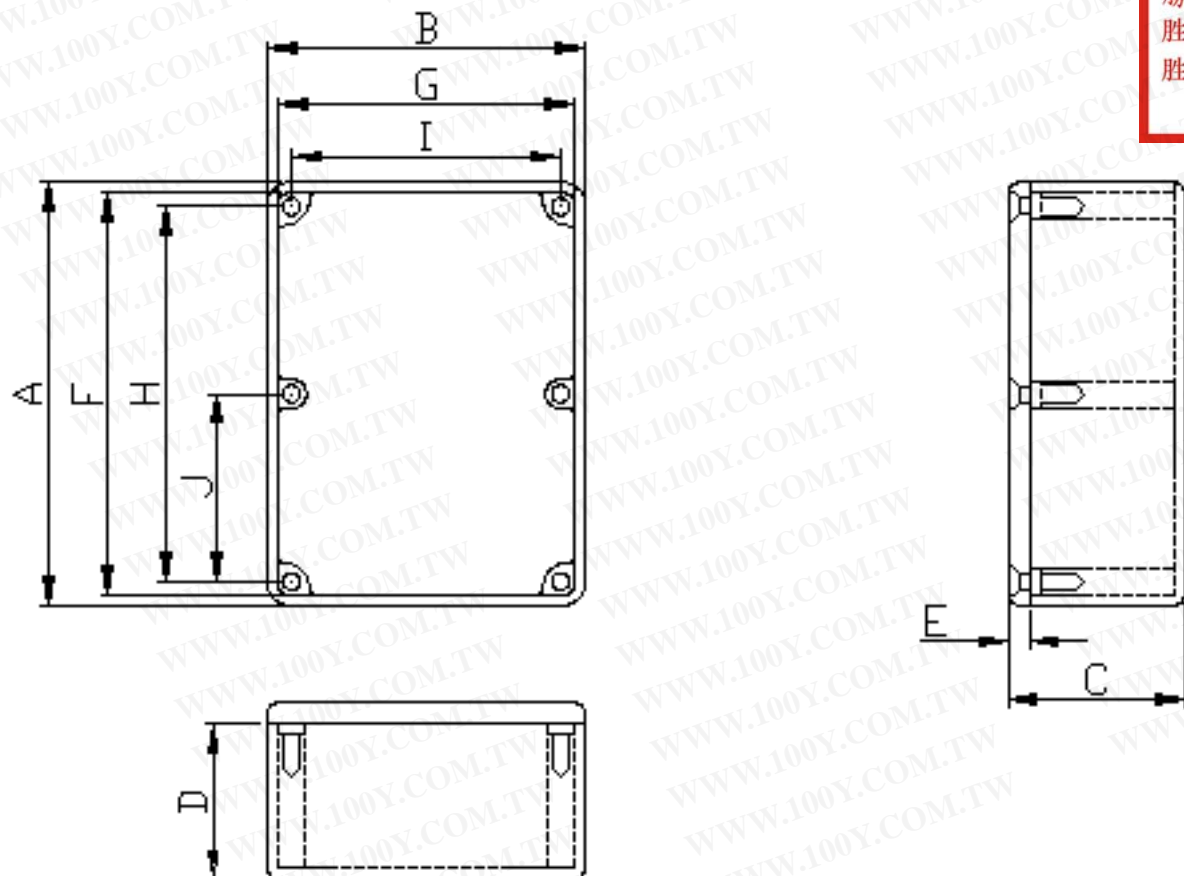
勝特力材料 886-3-5753170  
 勝特力电子(上海) 86-21-54151736  
 勝特力电子(深圳) 86-755-83298787  
[Http://www.100y.com.tw](http://www.100y.com.tw)



DETAILED DIMENSION IN mm

PART NO.	A	B	C	D	E	F	G	H	I
G0123	90.0	38.0	30.0	26.0	4.0	86.6	34.6	82.5	28.6
G0124	111.0	60.0	30.0	26.0	4.0	107.2	56.2	101.6	50.8
G0234	119.0	93.5	56.5	52.5	4.0	114.2	88.7	109.5	84.1
G0470	50.8	50.8	31.8	27.8	4.0	47.4	47.4	41.2	41.2
G0471	110.0	82.5	44.5	40.5	4.0	105.2	77.7	100.5	73.0
G0472	120.5	80.0	59.2	55.2	4.0	115.7	75.2	111.1	70.5
G0473	119.0	93.5	34.0	30.0	4.0	114.2	88.7	109.5	84.2
G0474	120.5	120.5	59.2	55.2	4.0	115.7	115.7	111.1	111.1
G0475	120.5	120.5	95.2	91.2	4.0	115.7	115.7	111.1	111.1
G0479	111.0	60.0	54.0	50.0	4.0	107.2	56.2	101.6	50.8

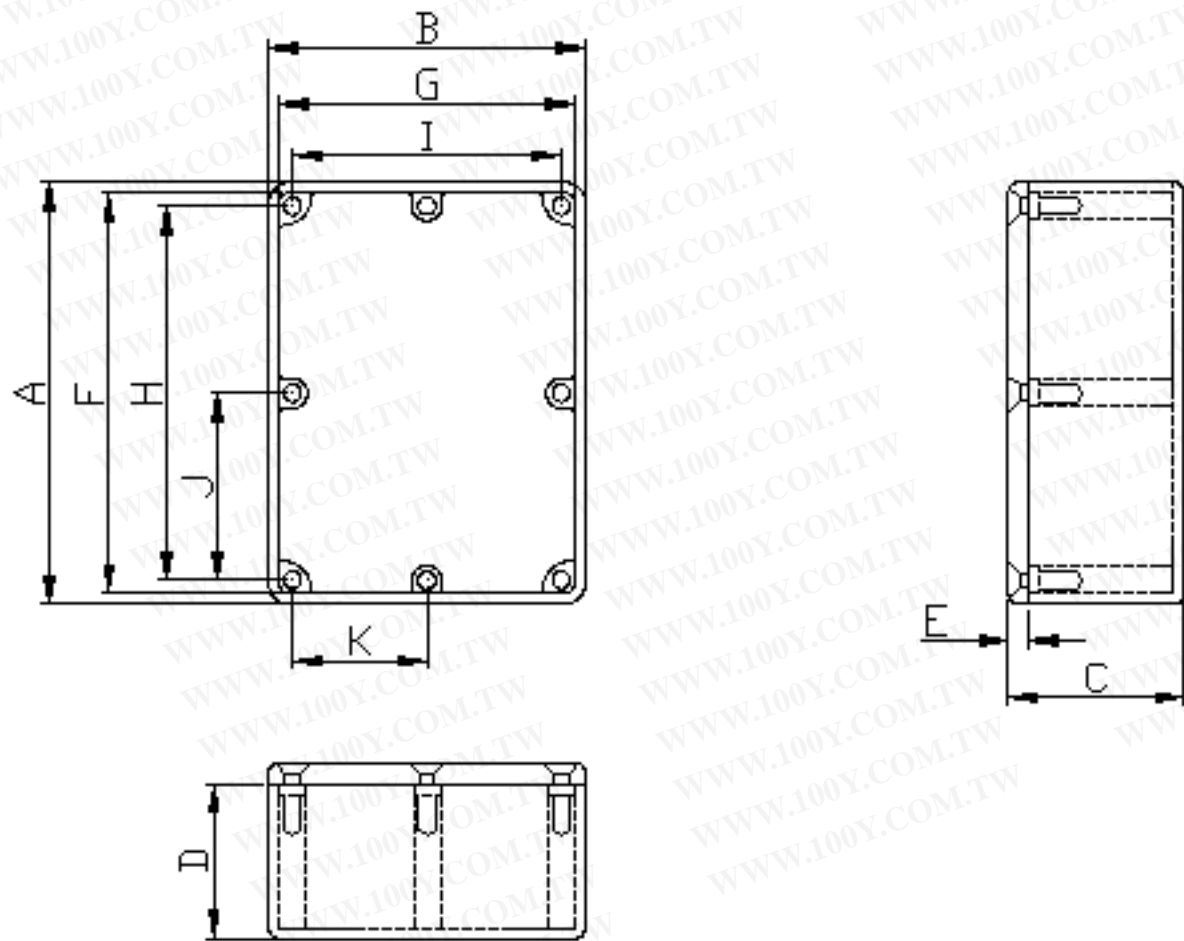
勝特力材料 886-3-5753170  
 勝特力电子(上海) 86-21-54151736  
 勝特力电子(深圳) 86-755-83298787  
[Http://www.100y.com.tw](http://www.100y.com.tw)



DIMENSION IN mm

PART NO.	A	B	C	D	B	F	G	H	I	J
G0247	187.0	118.0	56.5	52.5	4.0	182.2	113.2	177.8	109.5	88.9
G0347	187.0	118.0	81.7	77.7	4.0	182.2	113.2	177.8	109.5	88.9
G0476	152.4	82.5	50.8	46.8	4.0	147.6	77.7	142.5	72.6	71.3
G0477	187.0	118.0	38.0	34.0	4.0	182.2	113.2	177.8	109.5	88.9

勝特力材料 886-3-5753170  
 勝特力电子(上海) 86-21-54151736  
 勝特力电子(深圳) 86-755-83298787  
[Http://www.100y.com.tw](http://www.100y.com.tw)



DIMENSION IN mm

PART NO.	A	B	C	D	E	F	G	H	I	J	K
G0478	1905	1905	665	625	40	185.7	185.7	1806	1806	903	903