

勝特力材料 886-3-5753170
勝特力电子(上海) 86-21-54151736
勝特力电子(深圳) 86-755-83298787
[Http://www.100y.com.tw](http://www.100y.com.tw)

Features:

- Modern design case in matt finish surface for desktop instruments application
- Top and base is in light gray, front and end panels is in dark gray color
- Best value / quality compared with other suppliers

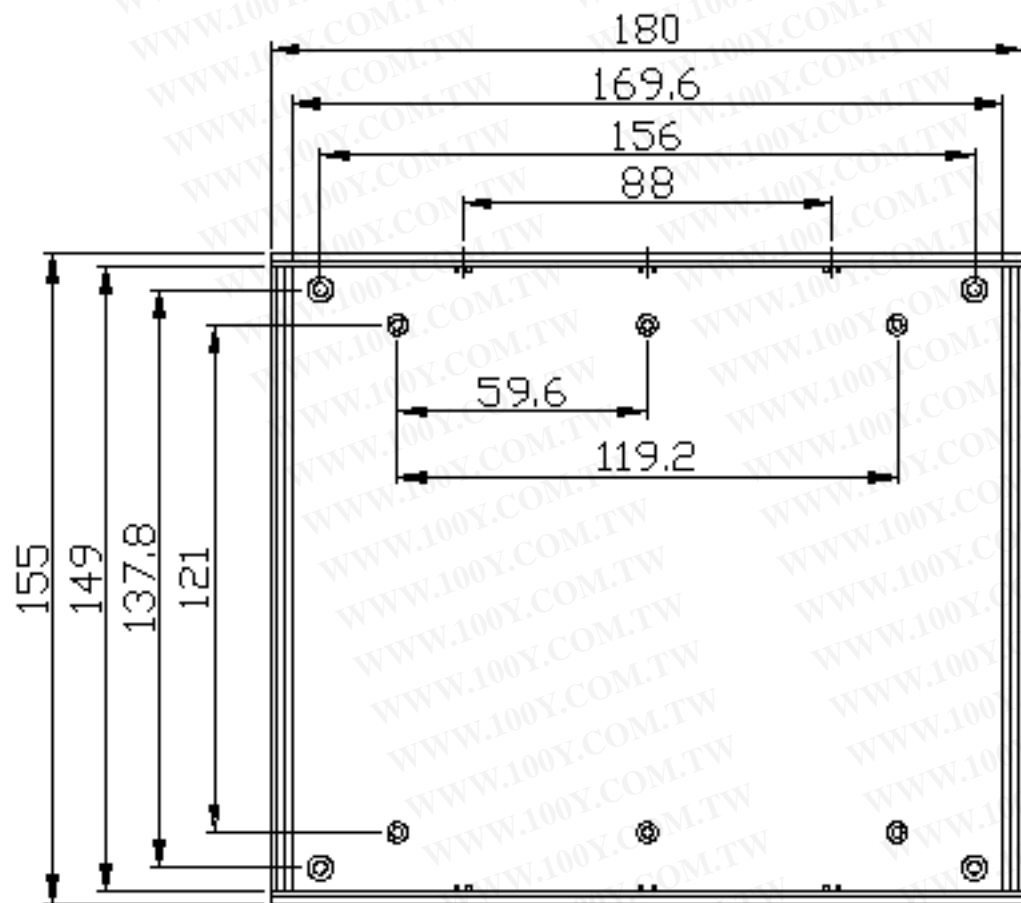
Material:

- High impact ABS of UL-94-HB
- 4 PCS screws and 4 PCS rubber feet are include

Note:

- Other material is also available upon request
- Aluminum end panels styles are also available. Please add "A" after stock number for case with aluminium panels

Stock No.	Material / Width x Length x Height (mm)
G760	(Plastic panels) / W:95 x L:158 x H:36
G764	(Plastic panels) / W:156 x L:180 H:44



勝特力材料 886-3-5753170
 勝特力电子(上海) 86-21-54151736
 勝特力电子(深圳) 86-755-83298787
[Http://www.100y.com.tw](http://www.100y.com.tw)

PART NO.	WIDTH(W)	LENGTH(L)	HEIGHT(H)
G763	156	180	36
G764	156	180	44
G765	156	180	52

