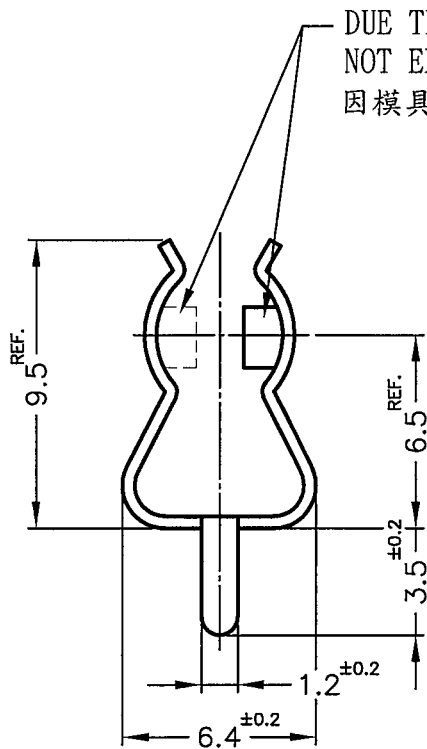
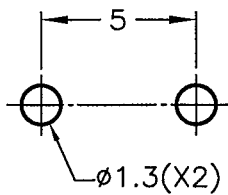


勝特力材料 886-3-5753170
 勝特力电子(上海) 86-21-34970699
 勝特力电子(深圳) 86-755-83298787
 Http://www.100y.com.tw



DUE THE TOOLING DESIGN, THE BAFFLE CAN BE ON BOTH SIDES,
 NOT EFFECTING THE FUNCTION IS QUALIFIED.
 因模具排列設計之故, 擋板左右方向皆可, 不影響功能屬為合格品.

PS: FOR FUSE $\phi 5.2$



HOUNTING HOLE

NOTE: 1. THE BEST USE TIME OF TIN PLATING PARTS ARE WITHIN 3 MONTHS SINCE MFG DATE.
 鍍錫最佳使用時間, 為製造日起3個月內。
 2. FINISH: TIN PLATED. IF PARTS ARE NOT USED UP PLEASE STORE IN A SEAL BAG.
 表面為鍍錫, 未使用完畢時, 產品請密封。

DO NOT SCALE DRAWING	DRAWN	TITLE	DWG. NO.	PART NO.	
	<i>Syman</i>	FUSE HOLDER	FUC-02	FUC-02	
	CHECKED	MATERIAL	SIZE	SPEC. DWG.	REV
	<i>林祺翔</i>	BRASS			
APPROVED	FINISH	SCALE: 4:1	UNIT	mm	SHEET 1 OF 1
	<i>[Signature]</i>	BRIGHT TIN PLATED			
		UNLESS OTHERWISE SPECIFIED TOLERANCE: SEE ABOVE			

勝特力材料 886-3-5753170
勝特力电子(上海) 86-21-54151736
勝特力电子(深圳) 86-755-83298787
[Http://www.100y.com.tw](http://www.100y.com.tw)

保險絲座 FUSE HOLDER

- ◆ MATERIAL : PHOSPHOR BRONZE
- ◆ FINISH : TIN PLATED (亮錫)
- ◆ UNIT : mm
- ◆ 用途 : 將保險絲固定於 PC 板上，拆裝方便。



PART NO	A	B	C	D	E	F	G	適用保險絲	PACKAGE
FUC-02	6.4	9.5	6.5	3.5	4.8	5.1	1.3	Φ5.2	1000

