

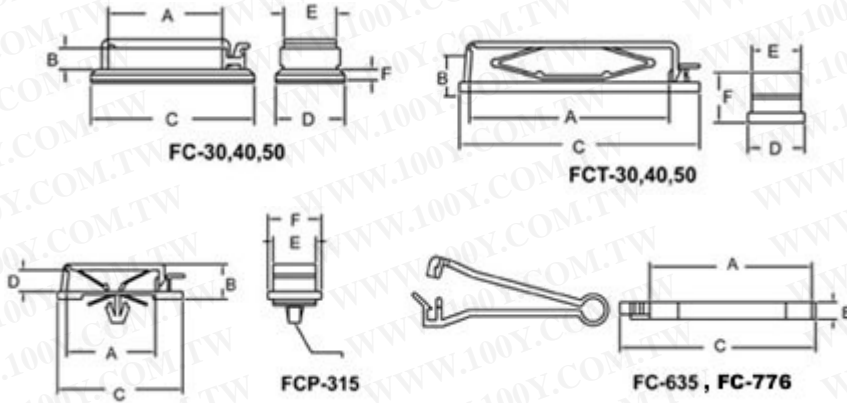


勝特力材料 886-3-5753170  
 勝特力电子(上海) 86-21-54151736  
 勝特力电子(深圳) 86-755-83298787  
[Http://www.100y.com.tw](http://www.100y.com.tw)

**Material:** UL approved Nylon 66, 94V-2. (Backed with adhesive tape)

Clamp down ribbon cable by finger pressure.

**Color:** Natural



Unit:mm

	Item No.	A	B	C	D	E	F	For Cable	Packing
.	<input type="checkbox"/> FC-30	32.0	6.2	45.8	19.8	14.9	2.8	-	100pcs
.	<input type="checkbox"/> FC-40	39.5	6.2	53.3	19.2	14.8	2.6	-	
.	<input type="checkbox"/> FC-50	63.5	6.0	77.5	19.8	14.9	2.8	50PIN	
.	<input type="checkbox"/> FCT-30	31.8	11.3	45.1	18.5	16	16.3	30PIN	
.	<input type="checkbox"/> FCT-40	54	11.3	67	15.7	12	16.3	40PIN	
.	<input type="checkbox"/> FCT-50	65	11.3	78.4	18.6	15.8	16.3	50PIN	
.	<input type="checkbox"/> FC-635	63.5	6.4	76.2	-	-	-	50PIN	
	<input type="checkbox"/> FC-776	77.6	6.4	92.7	-	-	-	60PIN	
	<input type="checkbox"/> FCP-315	31.4	7.6	44.7	19.1	15.2	12.4	30PIN	