

# FUSEHOLDERS

PCB mount

勝特力材料 886-3-5753170  
 勝特力电子(上海) 86-21-54151736  
 勝特力电子(深圳) 86-755-83298787  
[Http://www.100y.com.tw](http://www.100y.com.tw)

FAU

for  $5 \times 20 / 6,3 \times 32$  mm

## Fuseholder Type FAU

horizontal  
 shocksafe category PC2



- bayonet type fuse carrier, slotted
- with or without "kicked" PCB-terminals
- non-conductive center post adds stability
- degree of protection IP 40 from front side, according to IEC 60529
- suitable for equipment with protection classes I and II according to IEC 60536

### Technical data

- Rated voltage: 250 V
- Rated current: 10 A
- Rated power acceptance at ambient air temperature  $T_a$  23 °C for fuse links  
 $5 \times 20$ : 2,5 W/6,3 x 32: 3,2 W
- Power acceptance at higher  $T_a$ : see derating curves  
 Take note of the information on pages 215–219
- Allowable ambient air temperatures  $T_a$  for accessible parts:  
 –40 °C to +85 °C
- Contact resistance: 5 mΩ
- Dielectric strength: > 4 kV, 50 Hz, 1 min.\*
- Insulation resistance (500 V DC/1 Min): > 103 MΩ
- Solderability: 235 °C/2 s, according to IEC 60068-2-20, test Ta, method 1
- Resistance to soldering heat: 350 °C/5 s, according to IEC 60068-2-20, test Tb, method 1B
- Materials  
 socket: thermoplastic, UL 94 V-0  
 fuse carrier: thermoplastic, UL 94 V-0

\* between metal mounting plate and live parts

### Approvals, Patents

SEV	(6,3 A/250 V)	UL	(16 A/250 V)
VDE	(10 A/250 V)	CSA	(16 A/250 V)
SEMKO	(6,3 A/250 V)		

Patents in U.S. (No. 4,072,385) and in further countries

Order No. Socket and fuse carrier must be ordered separately

suitable for fuse-links

0031.3573 Socket, black, with straight terminals

5 x 20 and 6,3 x 32 mm

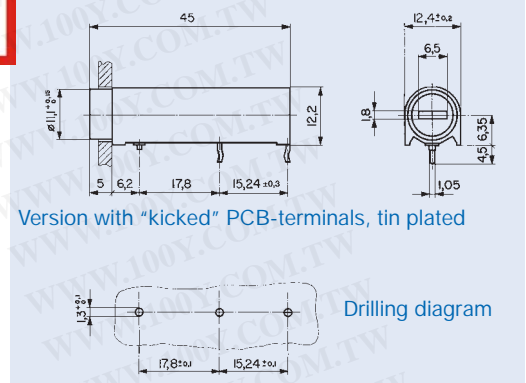
0031.3577 Socket, black, with "kicked" terminals

5 x 20 and 6,3 x 32 mm

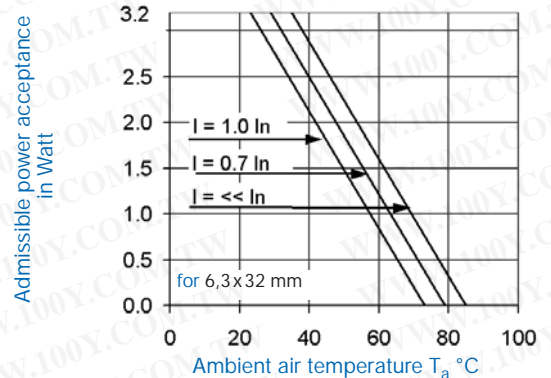
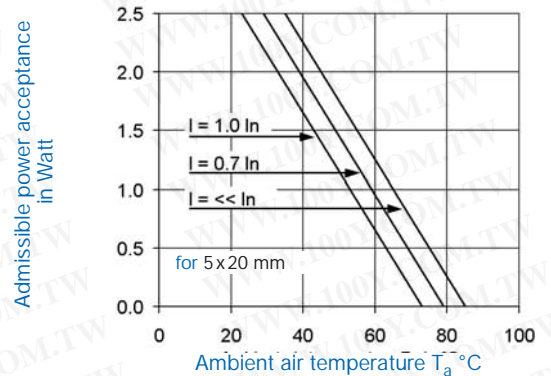
Order Numbers with fuse carrier (example: FAU 0031.3581 = fuseholder FEU 0031.3577 and fuse carrier FEK 0031.1666 packaged together)

Fuse carrier	FEK 0031.1666 bayonet/grey for 6,3 x 32 mm fuse-links	FEK 0031.1663 bayonet/black for 5 x 20 mm fuse-links	FEK 0031.1667 fingergrip/black for 6,3 x 32 mm fuse-links	FEK 0031.1741 fingergrip/black for 5 x 20 mm fuse-links
FAU 0031.3577	FAU 0031.3581	FAU 0031.3571	FAU 0031.3583	n/a

Accessories see page 183



### Derating curve



### Standards

IEC 60127-6  
 EN 60127-6  
 UL 512, CSA C22.2-39

Shock-Safe Fuseholder, 5 x 20 / 6.3 x 32 mm, Slot, horizontal



250 VAC · 3.2 W / 10 A (VDE) 16 A (UL/CSA)



### Description

- Kinked or straight PCB-terminals
- Horizontal style

### Standards

- IEC 60127-6
- UL 4248-1 / UL 512
- CSA C22.2 no. 39

### Approvals

- VDE Certificate Number: 6946
- UL File Number: E39328
- CSA File Number: 38456

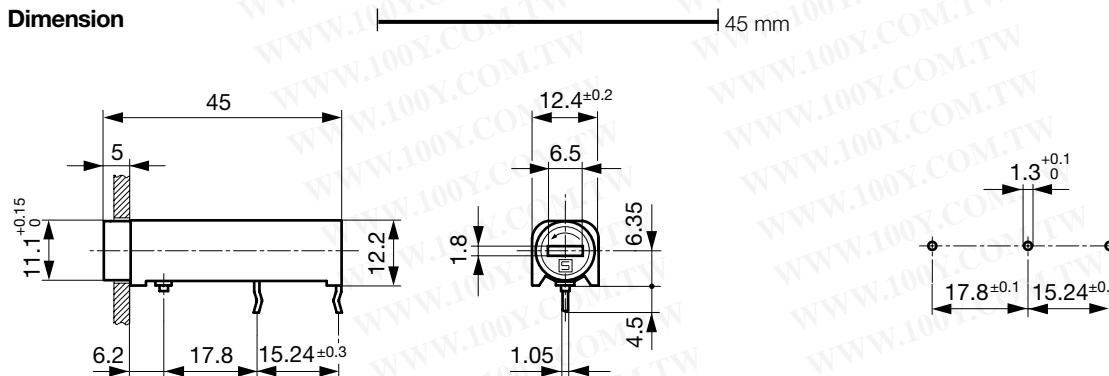
### Weblinks

[pdf-datasheet](#), [html-datasheet](#), [General Product Information](#), [Approvals](#), [CE declaration of conformity](#), [RoHS](#), [CHINA-RoHS](#), [REACH](#), [e-Shop](#), [SCHURTER-Stock-Check](#), [Distributor-Stock-Check](#), [Accessories](#), [Detailed request for product](#)

### Technical Data

Shock-Safe Category	PC2	Soldering Methods	Wave
Fuse-Link	5 x 20 or 6.3 x 32 mm	Solderability	245 °C / 2 sec acc. to IEC 60068-2-20, Test Ta, method 1
Mounting	PCB	Resistance to Soldering Heat	260 °C / 10 sec acc. to IEC 60068-2-20, Test Tb, method 1A
Terminal	Solder THT	Contact Resistance	< 5 mΩ at 20 mV
Rated Voltage	250 VAC	Dielectric Strength	> 3 kV (50 Hz; 1 min)
Rated current	10 A (VDE), 16 A (UL/CSA)	Impulse Withstand Voltage	> 4 kV between L-N
Rated Power Acceptance IEC	3.2 W / 10 A @ Ta 23 °C 2.5 W / 10 A for 5x20 mm fuse-link, see derating curves	Insulation Resistance	> 10 MΩ between L-N (500 VDC; 1 min)
Degree of Protection	IP 40	Overvoltage Category	I - III acc. to IEC 60664-1
Protection Class	Suitable for appliances with protection class I or II acc. to IEC 61140	Pollution Degree	1 - 3 acc. to IEC 60664-1
Admissible Ambient Air Temp.	-40 °C to 85 °C		
Climatic Category	40/085/21 acc. to IEC 60068-1		
Material: Socket	Thermoplastic, black, UL 94V-0		
Material: Terminals	Tin-Plated Copper Alloy		
Unit Weight	5.1 g / 2.3 g		
Storage Conditions	0 °C to 60 °C, max. 70% r.h.		
Product Marking	Type, Rated voltage, Current, Approvals		

### Dimension



Variant 0031.3577

Drilling diagram

Caps to Holder FEU, FEU (Med), FAU, FAC



250 VAC · 4W/16A (VDE) · 600VAC/DC · 16A (UL/CSA)



### Standards

- IEC 60127-6
- UL 4248-1 / UL 512
- CSA 4248-1 / no. 39

### Approvals

- VDE Certificate Number: 134125
- UL File Number: E39328

### References

Mating Cap to [FAC](#); [FAU](#); [FEU](#); [FEU \(Med\)](#); [SWG](#)

### Weblinks

[pdf-datasheet](#), [html-datasheet](#), [General Product Information](#), [Approvals](#), [CE declaration of conformity](#), [RoHS](#), [CHINA-RoHS](#), [REACH](#), [e-Shop](#), [SCHURTER-Stock-Check](#), [Distributor-Stock-Check](#), [Detailed request for product](#)

### Technical Data

Fuse-Link	5 x 20 or 6.3 x 32mm
Rated Voltage	250VAC (VDE), 600VAC/DC (UL/CSA)
Rated current	10A (VDE), 16A (UL/CSA)
Rated Power Acceptance IEC	4W / 16A @ Ta 23°C
Degree of Protection	IP 40
Admissible Ambient Air Temp.	-40°C to 85°C
Material: Cap	Thermoplastic, UL 94V-0
Storage Conditions	0°C to 60°C, max. 70% r.h.
Product Marking	

### Dimension



### All Variants

Cap	Fuse-Link	Degree of Protection	Colour Cap	Order Number
Slot Knob	6.3 x 32mm	IP 40	black	0031.1661
Slot Knob	5 x 20mm	IP 40	black	0031.1663
Slot Knob	6.3 x 32mm	IP 40	grey	0031.1666

Most Popular.

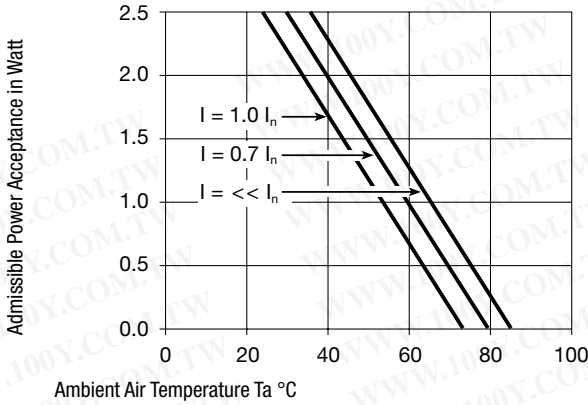
Availability for all products can be searched real-time: <http://www.schurter.com/en/Stock-Check/Stock-Check-SCHURTER>

### Packaging Unit

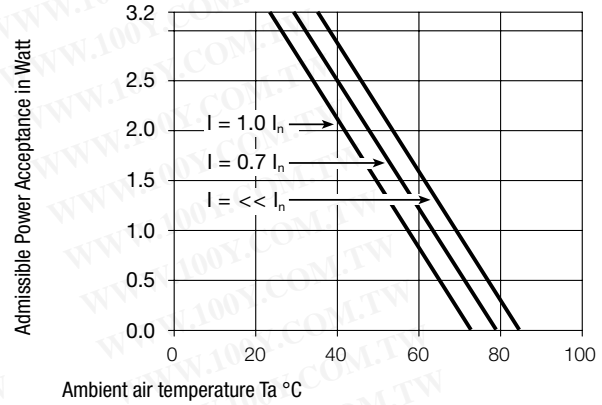
Plastic Bag (100 pcs.)

Derating Curves

5x20 mm



6.3x32 mm



All Variants

Holder	Cap	Fuse-Link	Terminal	Degree of Protection	Colour Cap	Remark	Comment	Order Number
●	-	5 x 20 or 6.3 x 32mm	Straight	IP 40	-	-	-	0031.3573
●	-	5 x 20 or 6.3 x 32mm	Kicked	IP 40	-	-	-	0031.3577
●	Slot Knob	6.3 x 32mm	Kicked	IP 40	grey	0031.3577 + 0031.1666	-	0031.3581
●	Fingergrip	6.3 x 32mm	Kicked	IP 40	-	0031.3577 + 0031.1667	-	0031.3583
●	Slot Knob	5 x 20mm	Kicked	IP 40	-	0031.3577 + 0031.1663	-	0031.3571
●	Fingergrip	5 x 20mm	Kicked	IP 40	-	0031.3577 + 0031.1741	-	0031.3584

Most Popular.

Availability for all products can be searched real-time: <http://www.schurter.com/en/Stock-Check/Stock-Check-SCHURTER>

Packaging Unit

Bulk (100 pcs.)

Required Accessory

Description



Fingergrip FEU, FAU, FAC  
Caps Fingergrip for Holder FEU, FAU, FAC



Caps to FEU, FAU, FAC  
Caps to Holder FEU, FEU (Med), FAU, FAC



勝特力材料 886-3-5753170  
勝特力电子(上海) 86-21-34970699  
勝特力电子(深圳) 86-755-83298787  
[Http://www.100y.com.tw](http://www.100y.com.tw)